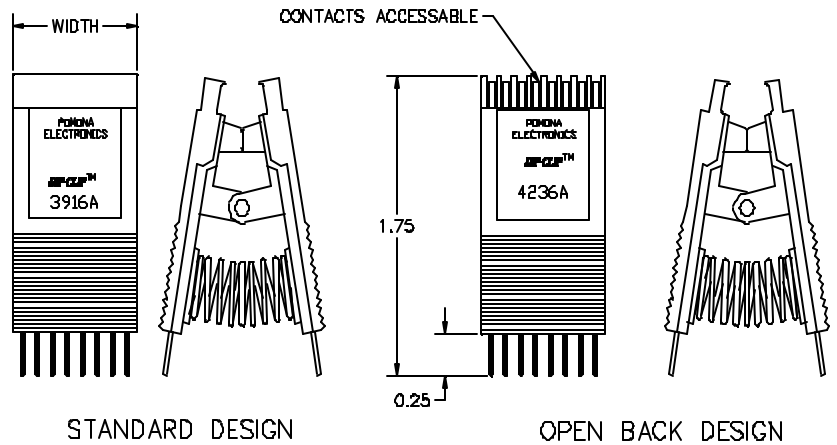


## DIP Clips® for 8-14-16-20-24-40 Pin Clips And 8 Through 40 Pin DIP Removers

Pomona DIP Clip® test clips are designed for testing dual-in-line IC packages on PC boards. These devices incorporate many built-in features that assure a positive electrical connection as well as hands free testing.

- Contacts (.040" wide on lower end) are serrated for the best electrical contact.
- .025" X .028" serrated test points on upper end will accept wire wraps or mini test clips.
- Molded barriers between contacts allows live board connections without accidental shorting of contacts.



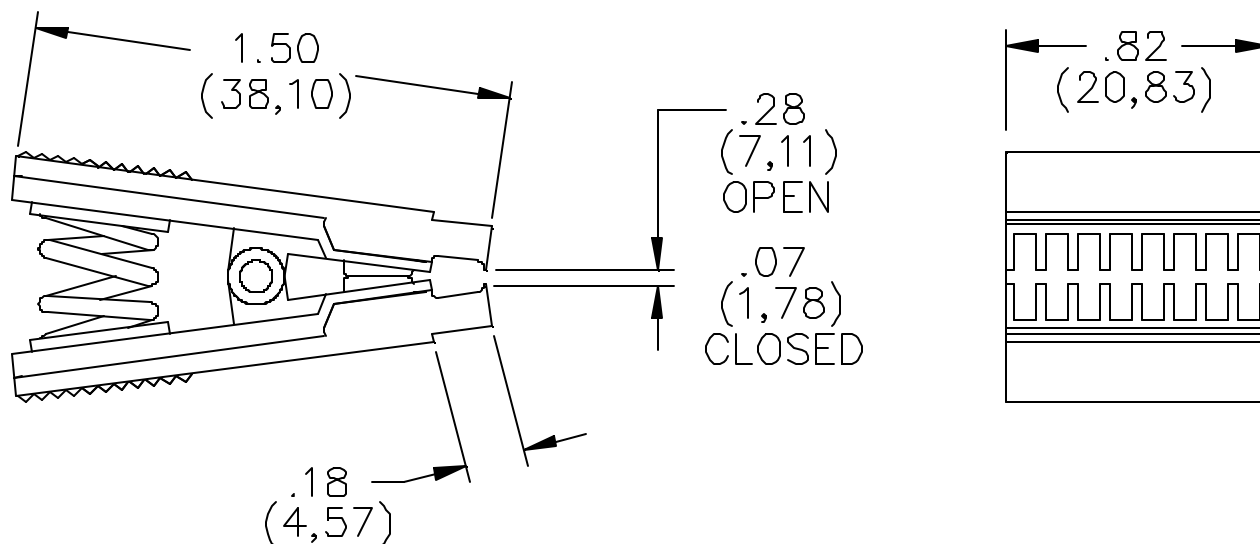
- Can also be used as an insertion tool for DIPs.
- Contacts are spring tempered Nickel Silver or Gold Plated Beryllium Copper alloy. Oxide penetrating clips have a roughened stainless steel surface treatment.
- Open back option allows probing on the chip leads while clip is attached.

Pomona's DIP Clip® test clips are perfect for emulation, field service, failure analysis, and for use with logic analyzers.

Size Pins	Clip Width	Standard DIP Clip®	Open Back DIP Clip®	Contact Material and Plating	Oxide Penetrating DIP Clip®	Static Control DIP Remover
8	.43	<b>5108</b>	<b>5208</b>	Be-Cu, Gold Plate	<b>5649</b>	<b>5016</b>
14	.72	<b>5014</b>	<b>5114</b>	Nickel Silver	<b>5650</b>	<b>5016</b>
		<b>5214</b>	<b>5314</b>	Be-Cu, Gold Plate	<b>5650</b>	<b>5016</b>
16	.83	<b>3916A</b>	<b>4236A</b>	Nickel Silver	<b>5692</b>	<b>5016</b>
		<b>5116</b>	<b>5216</b>	Be-Cu, Gold Plate	<b>5692</b>	<b>5016</b>
20	1.03	<b>5120</b>	<b>5220</b>	Be-Cu, Gold Plate	<b>5693</b>	<b>5016</b>
24	1.22	<b>4124A</b>	<b>4324A</b>	Nickel Silver	<b>5694</b>	<b>5024</b>
		<b>5124</b>	<b>5224</b>	Be-Cu, Gold Plate	<b>5694</b>	<b>5024</b>
40	2.02	<b>4140A</b>	<b>4340A</b>	Nickel Silver	<b>5695</b>	<b>5040</b>
		<b>5140</b>	<b>5240</b>	Be-Cu, Gold Plate	<b>5695</b>	<b>5040</b>

All dimensions are in inches. Tolerances (except noted): .xx = ±.02" (.51 mm), .xxx = ±.005" (.127 mm).  
All specifications are to the latest revisions. Specifications are subject to change without notice.  
Registered trademarks are the property of their respective companies. Made in USA

## DIP Clips® for 8-14-16-20-24-40 Pin Clips And 8 Through 40 Pin DIP Removers



### FEATURES:

- For use with 14 or 16 Dual-In-Line I.C. packages.

### MATERIALS:

Insulation: Glass filled nylon. Color: Red.

Hinge Pin: Stainless steel 302, passivated per QQ-P-35.

### RATINGS:

Operating Temperature: +102°C. (+216°F.) Max.

### ORDERING INFORMATION: Model 4386

All dimensions are in inches. Tolerances (except noted): .xx = ±.02" (.51 mm), .xxx = ± .005" (.127 mm).

All specifications are to the latest revisions. Specifications are subject to change without notice.

Registered trademarks are the property of their respective companies. Made in USA