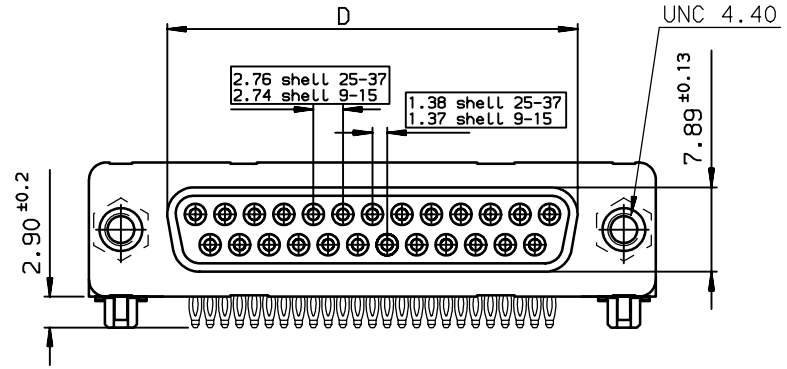
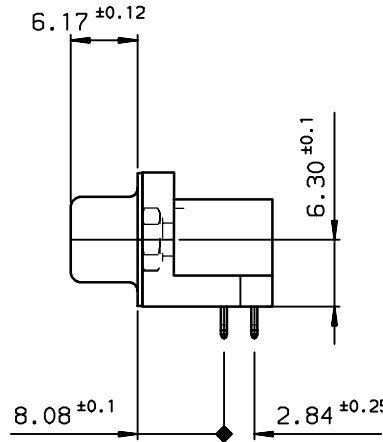
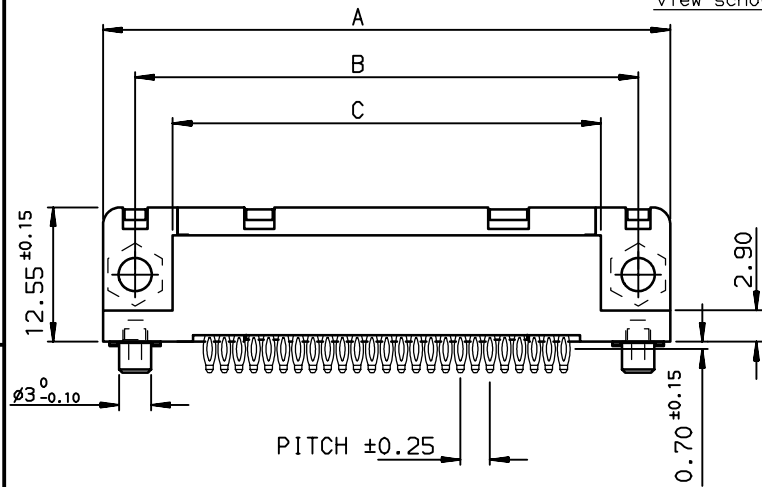
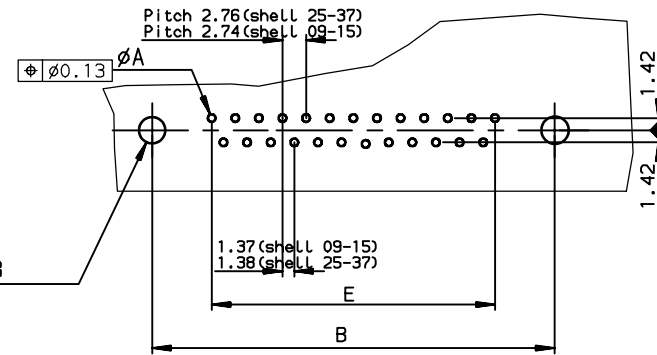
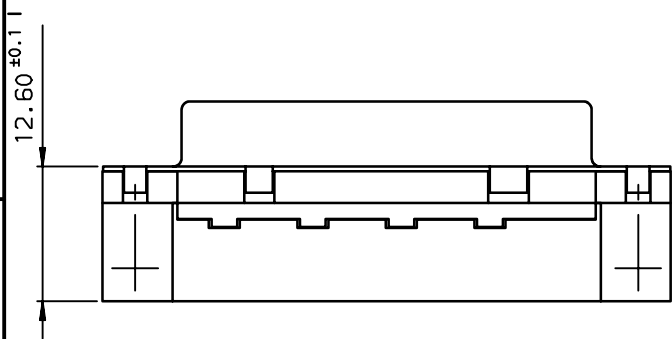


view shown without plastic pin and grounding



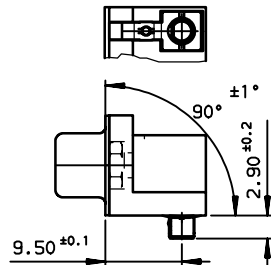
PC card drilling dimensions (after plating)  
(thickness 1.60 ±0.25 mm)



SHELL	A±0.38	B±0.12	C±0.10	D±0.25	E±0.07	TIN LEAD PART NUMBER	TIN LEAD PART NUMBER	LEAD FREE PART NUMBER	LEAD FREE PART NUMBER
09	30.81	24.99	18.00	16.21	10.96	D09S80C4GX00	D09S80C6GX00	D09S80C4GX00LF	D09S80C6GX00LF
15	39.14	33.32	26.32	24.54	19.18	D15S80C4GX00	D15S80C6GX00	D15S80C4GX00LF	D15S80C6GX00LF
25	53.03	47.04	40.04	38.25	33.12	D25S80C4GX00	D25S80C6GX00	D25S80C4GX00LF	D25S80C6GX00LF
37	69.32	63.50	56.50	54.71	49.68	D37S80C4GX00	D37S80C6GX00	D37S80C4GX00LF	D37S80C6GX00LF
						Gold flash	0,76 μ gold	Gold flash	0,76 μ gold

GENERAL CHARACTERISTICS AND ROHS INFORMATIONS:  
SEE DRAWING C01-8646-0001

Detail of grounding strip



rev	ecn no	dr	date
D	-	MAS	1999/07/23
E	LS06-004	LMA	2005/01/03
F	LS06-0097	LGO	2006/07/29
G	LS06-0140	LGO	2006/09/22
-	-	-	-
-	-	-	-

www.fciconnect.com		surface ISO 1302	tolerance std ISO 406 ISO 1101	projection	mm
Dr PESSON 1995/03/10		TOLERANCES UNLESS OTHERWISE SPECIFIED		size	Scale
Eng PESSON 1995/03/10		ANGULAR	LINEAR	A3	2
Chr LEGARE 1995/03/10		0.X ±0.1	0.XX ±0.1	ECN LS06-0140	
Appr LEGARE 1995/03/10		0.XX' ±2'	0.XXX ±0.1	Spec ref -	
Product family		D-SUB		-	
FCI title FEMALE CONNECTOR DELTA D RIGHT ANGLED PRESS-FIT		catalog no		dwg no C01-8646-0174	Rev. G
CUSTOMER		sheet 1 of 1			

European Views



Copyright FCI.