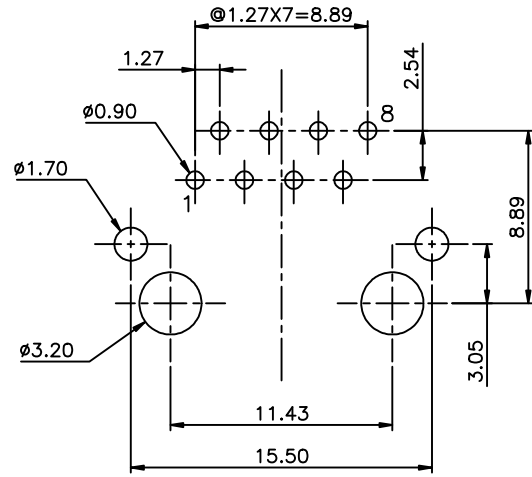
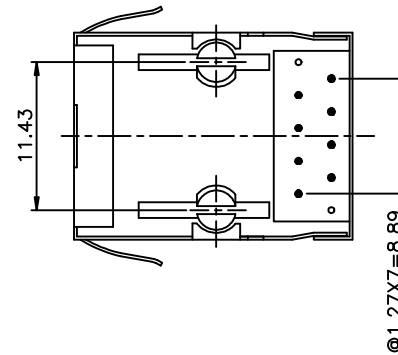
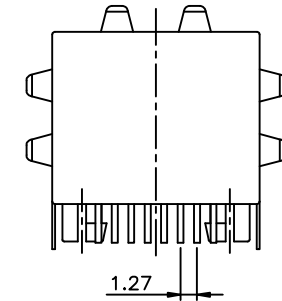
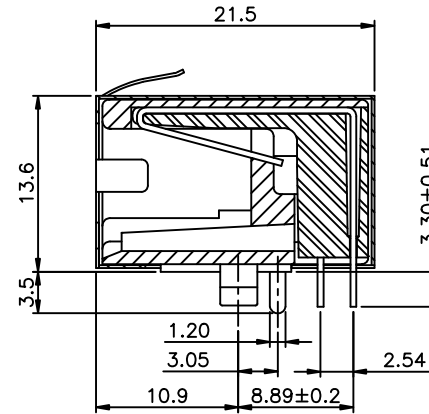
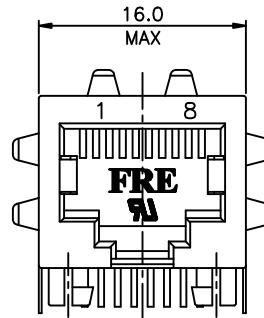


A1RFRD10

REVISION RECORD				
REV	ECO	DESCRIPTION	DRFT	CHKD
△		ADD PORT NO	LUXIN	
			01/28/05	
△		ADD PORT NO	CY	
			07/11/05	



PC Board Layout Component Side Shown



NOTES:

ELECTRICAL:

- VOLTAGE RATING : 125 VAC RMS MIN.
- CURRENT RATING : 1.5 AMP MIN.
- CONTACT RESISTANCE : 35 MILLIOHMS MAX.
- INSULATION RESISTANCE: 1000 MEGOHMS MIN @ 500 VDC.
- DIELECTRIC STRENGTH : 1000 VAC RMS 60Hz, 1MIN.

MECHANICAL:

- HOUSING MATERIAL : PBT+30%GF UL90V-0
- CONTACT MATERIAL : PHOSPHOR BRONZE ϕ 0.46mm
- PLATING : GOLD PLATING OVER NICKEL.
- OPERATING LIFE : 750 CYCLES MIN.
- PCB RETENTION PRE-SOLDER : 1 LB MIN.
- PCB RETENTION POST-SOLDER: 10 LBS MIN.

ENVIRONMENTAL:

- STORAGE : -40°C TO +85°C.
- OPERATION: 0°C TO 70°C.

MATES WITH MODULAR PLUG CONFORMING TO
FCC PART 68, SUBPART F.
CUL FILE NO. E163191

PART NUMBER: E5908-LX072X

PLATING :	1-3u"	2-6u"
3- TIN	3-15u"	4-30u"
5- NICKEL	5-50u"	6-Pd20u"
C- GOLD 3u"	7-Pd30u"	8-Pd10u"
	F-GOLD FLASH	

DETACHED LISTS	← MM (INCH) →	DFTO CHI	DATE 10/29/01'	FULL RISE ELECTRONIC CO., LTD	
	TOLERANCES EXCEPT AS NOTED	CHKD	DATE		
	MM	MFO	DATE	TITLE	
	.0 ±0.2 ±	APPVL XLF	DATE 07/11/05		
.00 ±0.15 ±	MATERIAL :	QT'Y :	20.57 PCB JACK 10P		
.000 ±0.075 ±	ANGLES ± 0.5	FINISH :			
	THIRD ANGLE PROJECTION	SCALE : 2.5 : 1	DRAWING NO. GE593B42		SIZE A3
			/PART NO. SEE NOTE		REV 2
			DO NOT SCALE DRAWING		SHEET 1 OF 1