

SPECIFICATIONS

MCA Connector

Mechanical

Contact Normal Force: 75g min.
Durability: 100 Cycles
Contact Retention Force: 0.45kg min.

Electrical

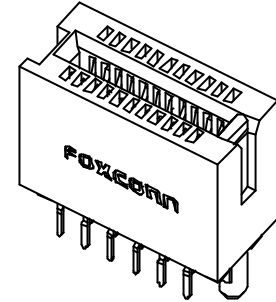
Current Rating: 1.0A, 30° Rise above Ambient
Contact Resistance: 30mW max. initial, 40mW max. after Test
Dielectric Withstand Voltage: 500V min. at Sea Level
Pin to Pin Insulation Resistance: 1000MW min.

Physical

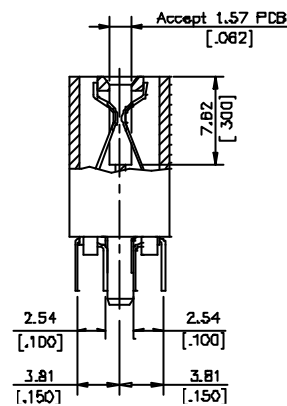
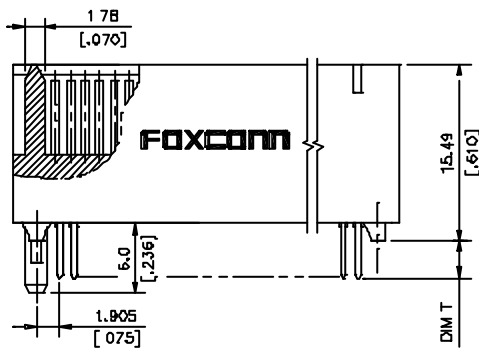
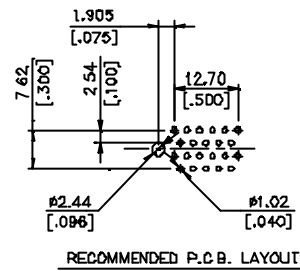
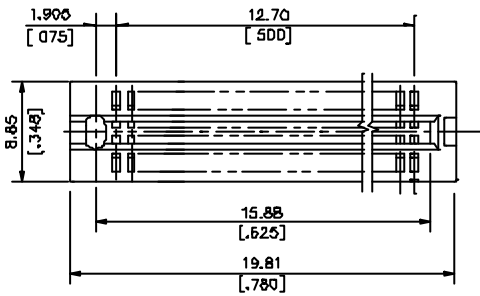
Housing: Thermoplastic, UL 94V-0 rated in White Color
Contact: Copper alloy
Plating: See "ORDERING INFORMATION"
Storage Temperature Range: -55° to +105°

EH Series

Vertical, T/H Type
1.27mm [.050"] Pitch
22 Pos.



DRAWING



ORDERING INFORMATION

PRODUCT NO.: EH 0 11 * * - DCW - **

Series Prefix
 Card Edge Conn.

Tail Type
 0=STRAIGHT

No. of Pos.
 11=22 Pos.

Tail Length
 1=2.54 [.100]
 0=3.18 [.125]
 4=3.56 [.140]

Plating Type
 DN=Tin/Lead
 DF=Lead Free

Extension Code

Gold Plating
 1=Gold Flash
 3=30u" Gold
 7=15u" Gold

EH0110*-DCW-**	3.18 [.125]
EH0111*-DCW-**	2.54 [.100]
P/N	DIM T