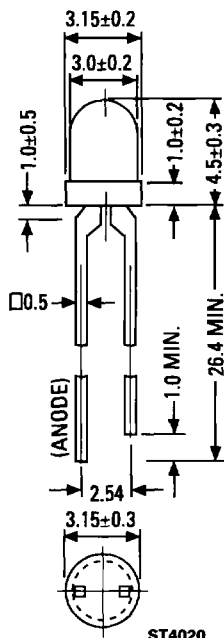


**YELLOW MV5362X TINTED, HLMP-1440, MV5360 PALE TINT  
HIGH EFFICIENCY GREEN MV5462X TINTED, HLMP-1540, MV5460 PALE TINT  
HIGH EFFICIENCY RED MV5762X TINTED, HLMP-1340, MV5760 PALE TINT**

**PACKAGE DIMENSIONS**



- NOTES:  
1. ALL DIMENSIONS ARE IN MM.  
2. LEAD SPACING IS MEASURED WHERE THE LEADS EMERGE FROM THE PACKAGE.  
3. PROTRUDED RESIN UNDER THE FLANGE IS 1.5 mm (0.059") MAX.

**DESCRIPTION**

These solid state indicators offer a variety of color selection. The High Efficiency Red and Yellow devices are made with gallium arsenide phosphide on gallium phosphide. All are encapsulated in epoxy packages and have clear lenses. Their small size, wide viewing angle, and small square leads contribute to their versatility as all-purpose indicators. All types are tinted to aid identification.

**FEATURES**

- Standard and Ultrabright devices
- Clear tinted lenses
- 100 mil lead spacing
- High efficiency GaP
- Versatile mounting on PC board or panel
- Long life—solid state reliability
- Low power requirements
- Compact, rugged, lightweight
- T-1 diameter
- Replacement for the HLMP-1X20/1 Series
- Excellent for switch backlighting

**6**

**MV5X62X HLMP-1X40 MV5X60**

**PHYSICAL CHARACTERISTICS**

TYPE	SOURCE COLOR	LENS EFFECT	LUMINOUS INTENSITY at 25 C (mcd)		TEST CONDITION
			MIN.	TYR.	
Ultrabright HLMP-1440	Yellow	Pale Tint	24.0	60.0	} I <sub>F</sub> =20 mA I <sub>F</sub> =10 mA
MV5360 (HLMP-1420)	Yellow	Pale Tint	6.0	12.0	
MV53621	Yellow	Tinted	3.0	4.0	
MV53622	Yellow	Tinted	6.0	8.0	
Ultrabright HLMP-1540	High Efficiency Green	Pale Tint	24.0	60.0	} I <sub>F</sub> =20 mA
MV5460 (HLMP-1520)	High Efficiency Green	Pale Tint	6.0	12.0	
MV54624 (HLMP-1521)	High Efficiency Green	Tinted	6.0	12.0	
Ultrabright HLMP-1340	High Efficiency Red	Pale Orange Tint	24.0	60.0	} I <sub>F</sub> =20 mA I <sub>F</sub> =10 mA
MV5760 (HLMP-1320)	High Efficiency Red	Pale Orange Tint	6.0	12.0	
MV57620	High Efficiency Red	Tinted	1.5	2.0	
MV57621	High Efficiency Red	Tinted	3.0	4.0	
MV57622 (HLMP-1321)	High Efficiency Red	Tinted	6.0	12.0	

<b>ELECTRO-OPTICAL CHARACTERISTICS</b> (25°C Free Air Temperature Unless Otherwise Specified)									
PARAMETER	TEST CONDITIONS	UNITS	MV5362X MV5360	MV5462X MV5460	MV5762X MV5760	HLMP-1340	HLMP-1440	HLMP-1540	
Forward voltage ( $V_f$ )	$I_f = 10$ mA	V	typ.	2.1	2.1*	2.0	2.2*	2.2*	2.2*
			max.	3.0	3.0*	3.0	3.0*	3.0*	3.0*
Peak wavelength		nm	585	565	635	635	585	565	
Spectral line half width		nm	35	40	45	45	35	40	
Capacitance typ.	$f = 1$ MHz, $V = 0$	pF	45	20	45	45	45	20	
Reverse voltage ( $V_r$ ) min.	$I_r = 100$ $\mu$ A	V	5.0	5.0	5.0	5.0	5.0	5.0	
Viewing angle (total) typ.	See Fig. 3	degrees	45	45	45	45	45	45	

\* $I_f = 20$  mA

<b>ABSOLUTE MAXIMUM RATING</b> ( $T_A = 25^\circ\text{C}$ Unless Otherwise Specified)	
Power dissipation	120 mW
Derate linearly from 50°	0.4 mA/°C
Storage and operating temperature	-55°C to +100°C
Lead soldering time at 260°C (1/16 inch from body)	5 sec.
Continuous forward current (MV5360/MV5362X/HLMP-1440=20 mA)	30 mA
Peak forward current (1 $\mu$ sec pulse, 0.3% duty cycle) (MV5360/MV5362X/HLMP-1440=60 mA)	90 mA
Reverse voltage	5.0 V

**TYPICAL ELECTRO-OPTICAL CHARACTERISTIC CURVES**  
(25°C Free Air Temperature Unless Otherwise Specified)

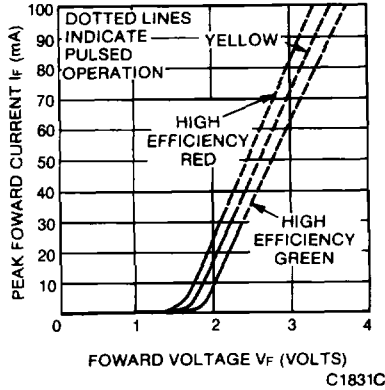


Fig. 1. Forward Current vs. Forward Voltage

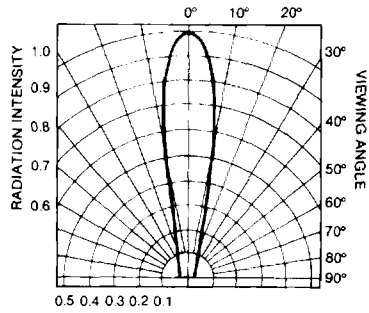


Fig. 2. Relative Luminous Intensity vs. Forward Current

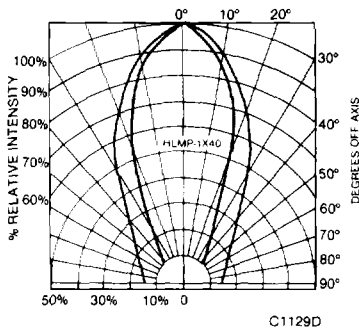


Fig. 3. Spatial Distribution

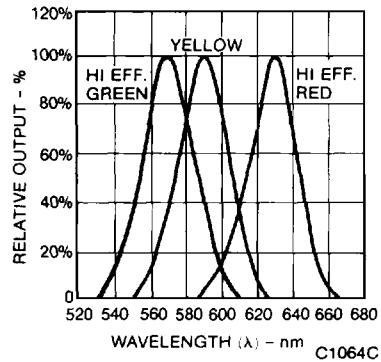


Fig. 4. Spectral Distribution