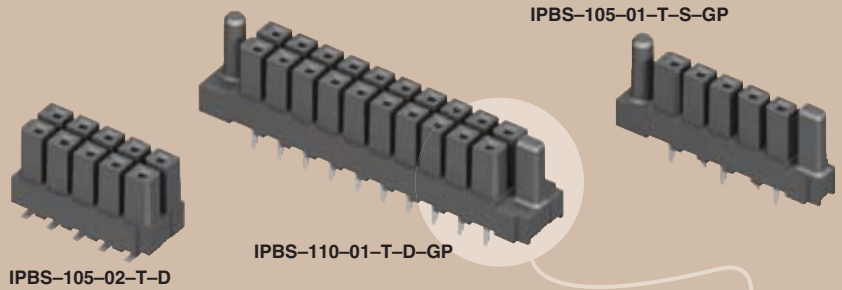




(4,19mm) .165"

IPBS SERIES



ISOLATED CONTACT POWER HEADER

SPECIFICATIONS

For complete specifications see www.samtec.com?IPBS

Insulator Material:
Black Liquid Crystal Polymer



Contact Material:
Phosphor Bronze



Plating:

Sn over 50µ" (1,27µm) Ni
Operating Temp Range:
-55°C to +105°C

Insertion Depth:
(6,15mm) .242" to (7,24mm) .285"

Wiping Distance:
(0,38mm) .015" min.

Insertion Force:
14oz (3,89N) avg.

Withdrawal Force:
10oz (2,78N) avg.

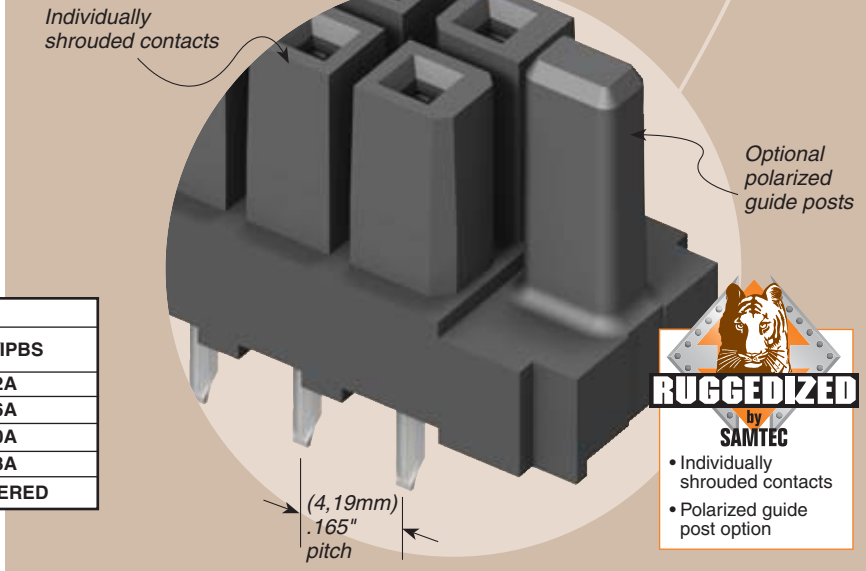
Voltage Rating:
725 VAC/1025 VDC

RoHS Compliant:
Yes

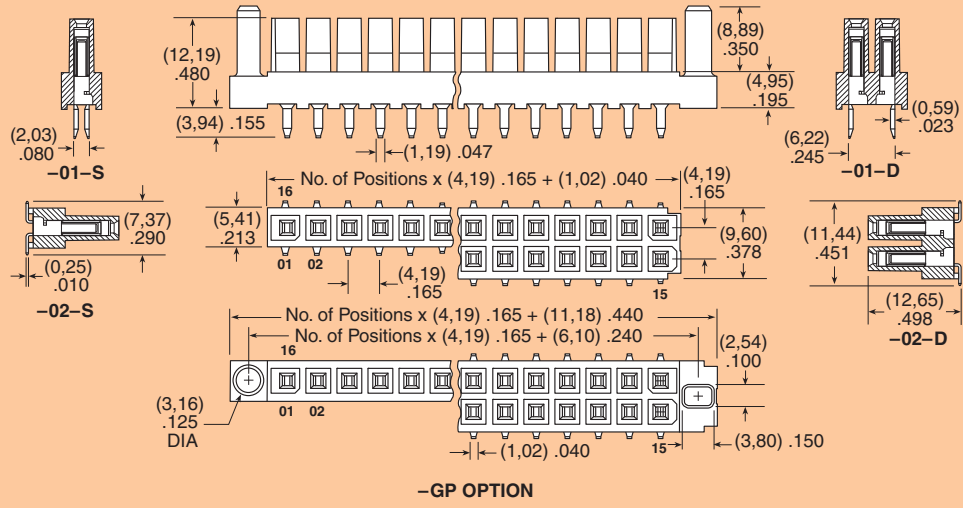
Lead-Free Solderable:
Yes

Mates with:
IPBT

CURRENT RATING	
AMBIENT TEMP	IPBT/IPBS
20°C	8.2A
40°C	6.6A
60°C	6.0A
75°C	4.8A
6 POSITIONS (2x3) POWERED	



IPBS	1	NO. OF POSITIONS PER ROW	LEAD STYLE	PLATING OPTION	ROW OPTION	OPTION
		02, 03, 04, 05, 08, 10, 15 (-D only)	-01 = Standard Power	-T = Matte Tin	-S = Single Row	-GP = Guide Post
		02, 03, 04, 05 (-S only) (Call Samtec for other sizes)	-02 = Standard Power Surface Mount		-D = Double Row	



Note: Some lengths, styles and options are non-standard, non-returnable.

Due to technical progress, all designs, specifications and components are subject to change without notice.

WWW.SAMTEC.COM