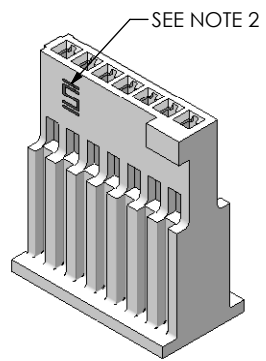
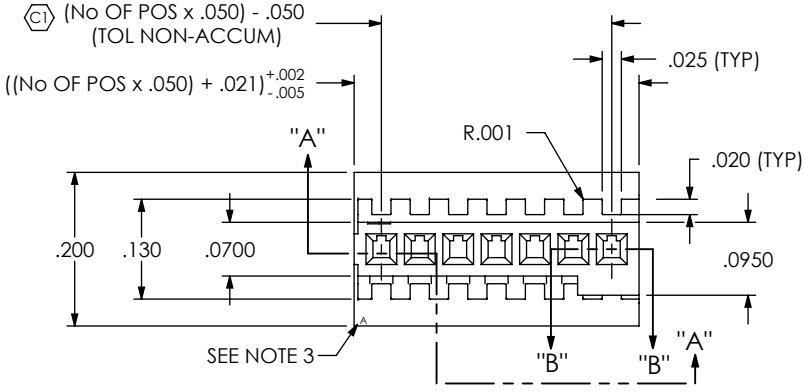


DO NOT SCALE FROM THIS PRINT

FIG. 1 ISDF-07-S SHOWN

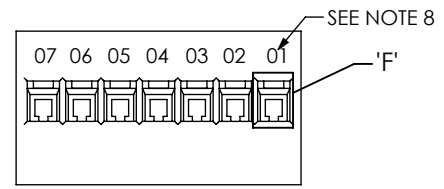
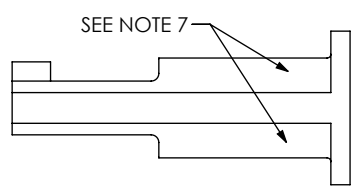
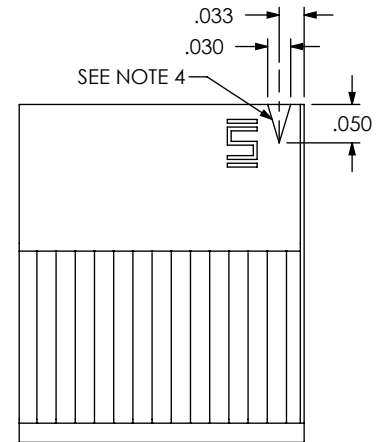
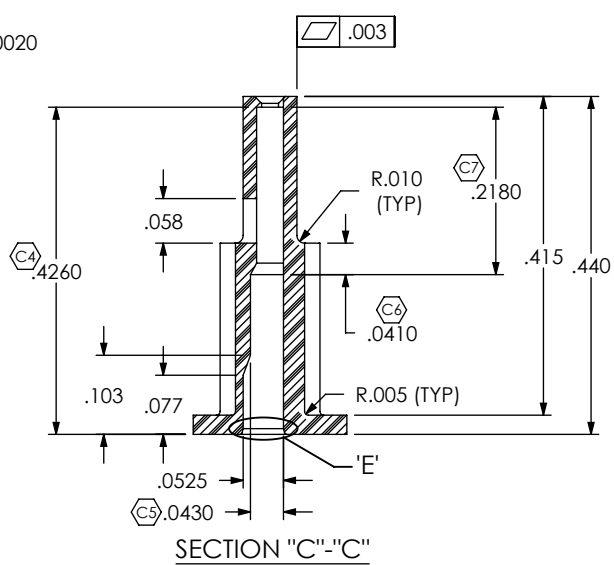
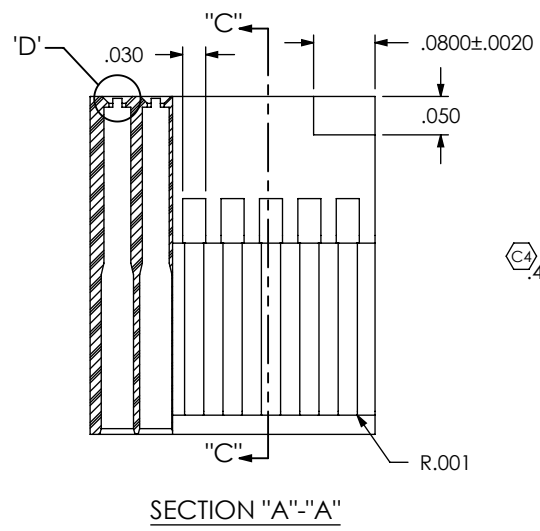
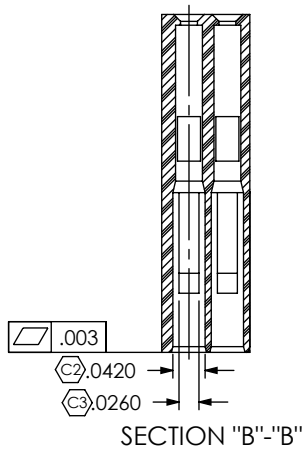


ISDF-XX-S-X

No OF POSITIONS
-02 THRU -50

NOTCH SPECIFICATION
-R: RETENTION LATCH (AVAILABLE ON POS -05 THRU -50) (SEE SHEET 3, FIG 2) (SEE NOTE 10)

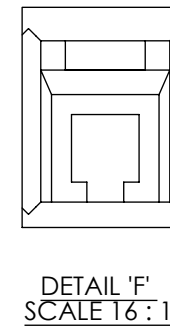
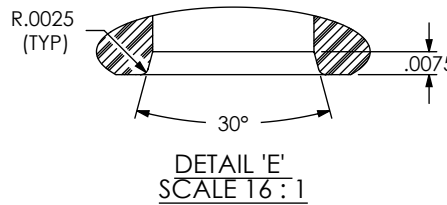
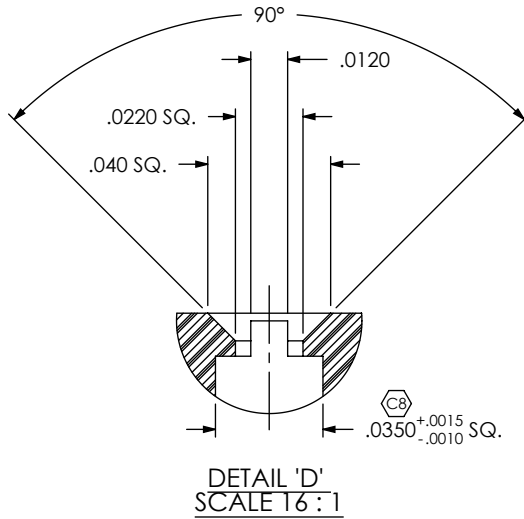
ROW SPECIFICATION
-S: SINGLE ROW



NOTES:

1. Ⓢ REPRESENTS A CRITICAL DIMENSION.
2. SAMTEC LOGOS SHALL APPEAR AT LOCATIONS ON SURFACE SHOWN, APPROXIMATELY .075 x .055 (BOTH SIDES).
3. ALL MULTIPLE CAVITY MOLDS SHALL IDENTIFY EACH CAVITY WITH A LETTER DESIGNATION LOCATED WHERE SHOWN.
4. IDENTIFICATION MARKS NOT TO PROTRUDE BEYOND .001 ABOVE THE SURFACE OF THE INSULATOR MATERIAL.
5. MOLDED SURFACES SHALL BE CONSISTENT AND SMOOTH. SURFACES TO BE FREE OF SCATCHES, NICKS, SINK AREAS, VOIDS OR OTHER BLEMISHES.
6. PART TO BE SYMMETRIC ABOUT THE CENTERLINE WITHIN +/- .0015, UNLESS OTHERWISE STATED.
7. GATE PADS MUST BE RECESSED .005.
8. SPECIFIED POSITIONS TO BE IDENTIFIED WHERE SHOWN (NOTE 4 APPLIES).
9. R.005 OPTIONAL.
10. OPTION NOT FOR SALE. FOR RETENTION LATCH FEATURE, SEE ISDF-XX-S-M PRINT.


<p>UNLESS OTHERWISE SPECIFIED, DIMENSIONS ARE IN INCHES. TOLERANCES ARE:</p> <p>DECIMALS ANGLES</p> <p>.XX: ±.01 [0.3] 2°</p> <p>.XXX: ±.003 [0.08]</p> <p>.XXXX: ±.0015 [0.038]</p>	<p>PROPRIETARY NOTE</p> <p>THIS DOCUMENT CONTAINS INFORMATION CONFIDENTIAL AND PROPRIETARY TO SAMTEC, INC. AND SHALL NOT BE REPRODUCED OR TRANSFERRED TO OTHER DOCUMENTS OR DISCLOSED TO OTHERS OR USED FOR ANY PURPOSE OTHER THAN THAT WHICH IT WAS OBTAINED WITHOUT THE EXPRESSED WRITTEN CONSENT OF SAMTEC, INC.</p>	<p>samtec</p> <p>520 PARK EAST BLVD, NEW ALBANY, IN 47150 PHONE: 812-944-6733 FAX: 812-948-5047 e-Mail: info@SAMTEC.com code 55322</p>	
		<p>MATERIAL: DO NOT SCALE DRAWING SHEET SCALE: 4:1</p> <p>VECTRA S475, COLOR: BLACK</p> <p>MAX REGRIND: 50%</p> <p>MAX FLASH ALLOWED: .002</p> <p>MAX GATE VESTIGE: .004</p> <p>c:\enterprise\val\DWG\MISC\MKTG\ISDF-XX-S-X-MKT.SLDDRW</p>	<p>DESCRIPTION: .050" CL CRIMP WIRE SOCKET INSULATOR</p> <p>DWG. NO. ISDF-XX-S-X</p>
<p>BY: GAYNOR 6/10/2008</p>		<p>SHEET 1 OF 3</p>	



PROPRIETARY NOTE
 THIS DOCUMENT CONTAINS INFORMATION CONFIDENTIAL AND PROPRIETARY TO SAMTEC, INC. AND SHALL NOT BE REPRODUCED OR TRANSFERRED TO OTHER DOCUMENTS OR DISCLOSED TO OTHERS OR USED FOR ANY PURPOSE OTHER THAN THAT WHICH IT WAS OBTAINED WITHOUT THE EXPRESSED WRITTEN CONSENT OF SAMTEC, INC.

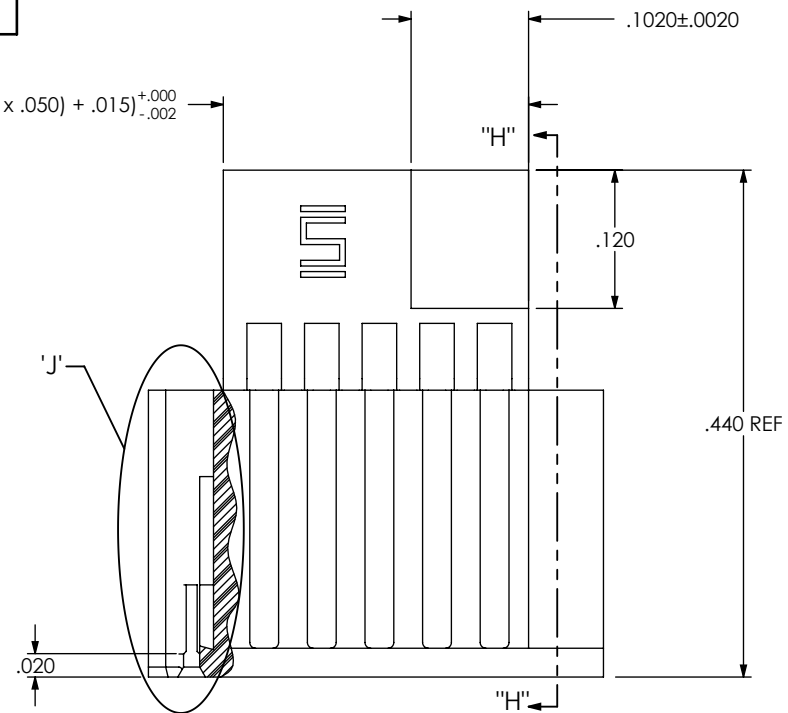
DO NOT SCALE DRAWING

SHEET SCALE: 1:0.166667

 520 PARK EAST BLVD, NEW ALBANY, IN 47150 PHONE: 812-944-6733 FAX: 812-948-5047 e-Mail info@SAMTEC.com code 55322	
DESCRIPTION: .050" CL CRIMP WIRE SOCKET INSULATOR	
DWG. NO. ISDF-XX-S-X	
BY: GAYNOR 6/10/2008	SHEET 2 OF 3

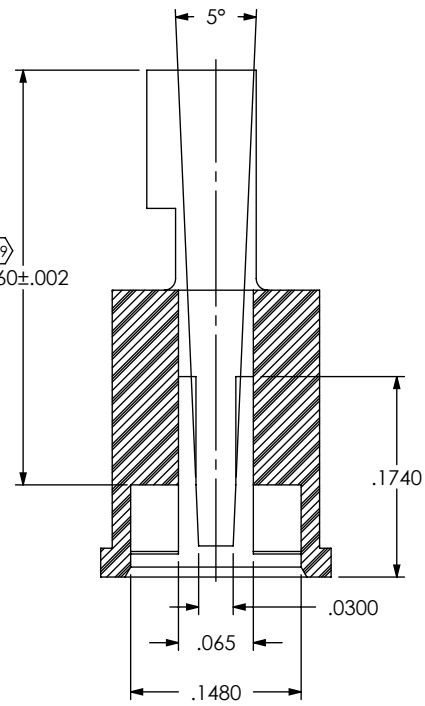
C11

$$((\text{No OF POS} \times .050) + .015) \begin{matrix} +.000 \\ -.002 \end{matrix}$$

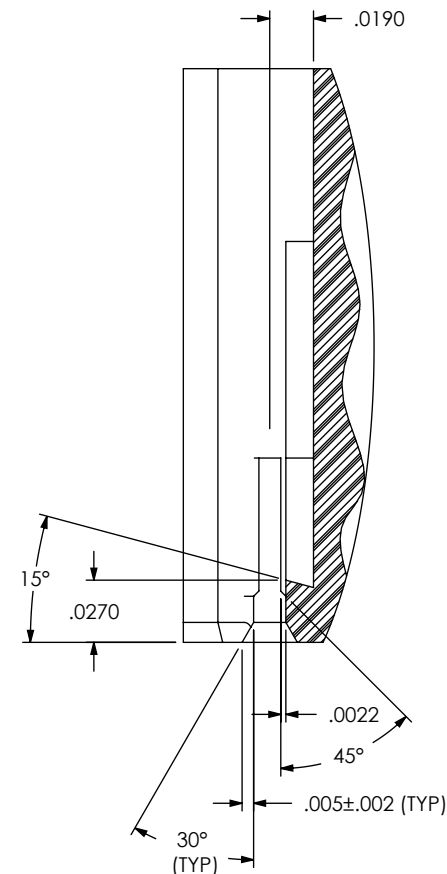


C9

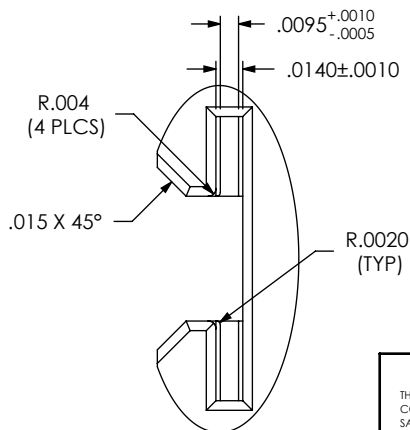
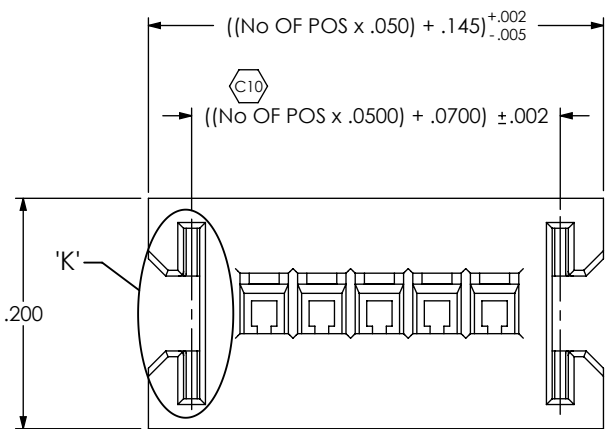
$$.360 \pm .002$$



SECTION "H"-"H"



DETAIL 'J'
SCALE 12:1



DETAIL 'K'
SCALE 10:1

FIG. 2
-R: RETENTION LATCH OPTION (SEE NOTE 10)
(ISDF-05-S-R SHOWN)
(SAME AS FIG. 1 EXCEPT AS SHOWN)

PROPRIETARY NOTE

THIS DOCUMENT CONTAINS INFORMATION CONFIDENTIAL AND PROPRIETARY TO SAMTEC, INC. AND SHALL NOT BE REPRODUCED OR TRANSFERRED TO OTHER DOCUMENTS OR DISCLOSED TO OTHERS OR USED FOR ANY PURPOSE OTHER THAN THAT WHICH IT WAS OBTAINED WITHOUT THE EXPRESSED WRITTEN CONSENT OF SAMTEC, INC.

DO NOT SCALE DRAWING

SHEET SCALE: 6:1

samtec

520 PARK EAST BLVD, NEW ALBANY, IN 47150
PHONE: 812-944-6733 FAX: 812-948-5047
e-Mail: info@SAMTEC.com code 55322

DESCRIPTION:
.050" CL CRIMP WIRE SOCKET INSULATOR

DWG. NO.
ISDF-XX-S-X

BY: GAYNOR 6/10/2008 SHEET 3 OF 3