

SPECIFICATIONS

Mechanical

Mating Force: 4.0Pounds max.
Unmating Force: 4.0Pounds max.
Durability: 1000 Cycles

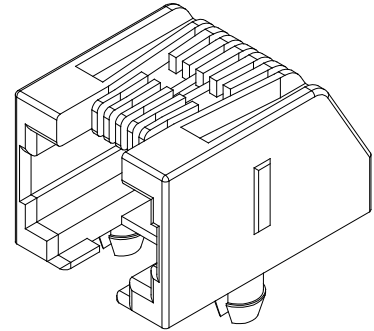
Electrical

Current Rating: 1.5A max.
Dielectric Withstanding Voltage: 1500VAC

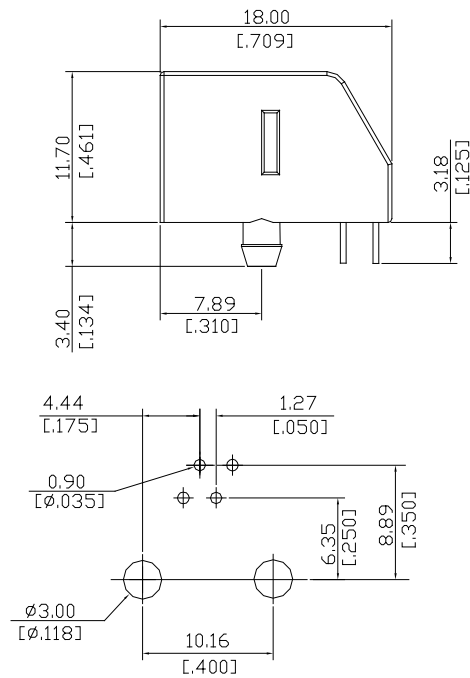
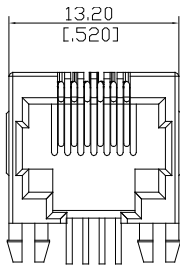
Physical

Housing: UL 94V-0, Cool Grey 1C PBT, Glass
Contact: Phosphor bronze
Operating Temperature: -40°C to +85°C

JM Series
RJ11,1X1,6P4C
T/D,T/H,



DRAWING



RECOMMENDED PCB LAYOUT
 SCALE 2:1

ORDERING INFORMATION

PRODUCT NO. : J M 1 6 4 1 1 - A003 - 4 F

SERIES PREFIX:
 JM=MODULAR JACK

BODY & TERMINATION:
 1=R/A ALL PLASTIC T/H

Design TYPE:
 6=WITHOUT/TOP & SIDE PANEL-GND,

POS. TYPE:
 6=6P4C

NO. of Body:
 1=Single Port

LEAD FREE CODE:
 F=LEAD-FREE

PACKAGE TYPE:
 4=SOFT TRAY

HOUSING COLOR:
 A003=COOL GREY 1C

CONTACT PLATING:
 1=6u" GOLD PLATING