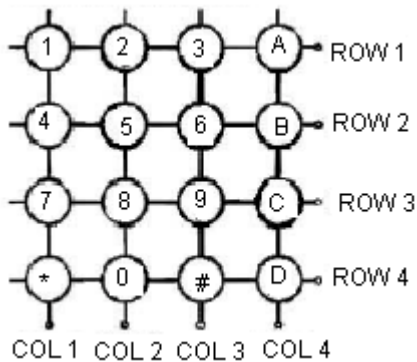




Specifications:

Contact Rating	: 20 mA, 24 V dc
Maximum Contact Resistance	: 200 Ω
Life	: 1,000,000 cycles per key
Operating Temperature	: -20°C to +60°C
Storage Temperature	: -40°C to +65°C

Standard Matrix Circuit Diagram:



Output Arrangement	
Output Pin Number	Symbol
1	COL 1
2	COL 2
3	COL 3
4	COL 4
5	ROW 1
6	ROW 2
7	ROW 3
8	ROW 4