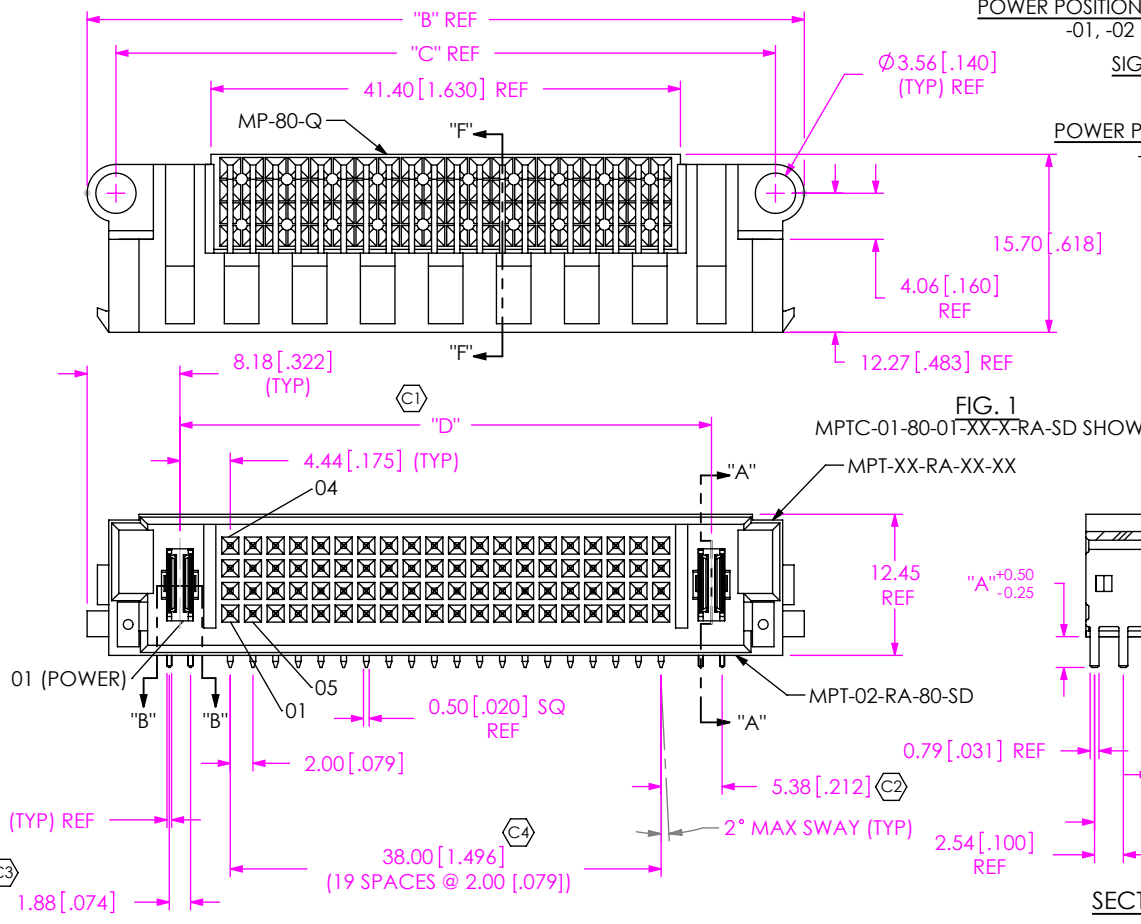


DESIGNED & DIMENSIONED
IN MILLIMETERS

MPTC-XX-XX-XX-01-XX-X-RA-XX

DO NOT
SCALE FROM
THIS PRINT



- POWER POSITIONS (PER END)
-01, -02
- SIGNAL POSITIONS
-80 (4 X 20)
- POWER POSITIONS (PER END)
-01, -02
- LEADSTYLE
-01
- TAIL LENGTH
-01: FOR 1.57 [.062] THICK PCB (USE SUB-T-1M40-01-X)
** -02: FOR 3.18 [.125] THICK PCB (USE SUB-T-1M40-02-X)
- OPTION
-SD: SCREW DOWN (SEE FIG. 1, SHT 1)
-LC: LOCKING CLIP (USE LC-07-TM) (SEE FIG. 2, SHT 2)
- RIGHT ANGLE
- PLATING SPECIFICATION
-L: SEE TABLE 3
-T: SEE TABLE 3
- * = SEE TABLE 2 FOR AVAILABLE COMBINATIONS
** = NOT TOOLED

FIG. 1
MPTC-01-80-01-XX-X-RA-SD SHOWN

PART NUMBER	BODY	POWER TERMINAL SUB-ASSEMBLY	SIGNAL TERMINAL				"A"
			TERMINAL 1	TERMINAL 2	TERMINAL 3	TERMINAL 4	
MPTC-XX-XX-XX-01-XX-X-RA-XX	MPT-XX-RA-XX-XX	SUB-T-1M40-01-X	T-1S68-01-X	T-1S68-02-X	T-1S68-03-X	T-1S68-04-X	2.72 [0.107]
**MPTC-XX-XX-XX-02-XX-X-RA-XX		SUB-T-1M40-02-X	T-1S68-05-X	T-1S68-06-X	T-1S68-07-X	T-1S68-08-X	4.32 [0.170]

** = NOT TOOLED

PLATING	POWER PIN CONTACT AREA	POWER PIN TAIL	SIGNAL PIN CONTACT AREA	SIGNAL PIN TAIL
-L	LIGHT GOLD	MATTE TIN	LIGHT GOLD	MATTE TIN
-T	MATTE TIN	MATTE TIN	LIGHT GOLD	MATTE TIN

- NOTES:
- ① REPRESENTS A CRITICAL DIMENSION.
 - BURR ALLOWANCE: 0.038 [.0015] MAX.
 - MINIMUM PUSHOUT FORCE: 2.22N [.5 LB].
 - PARTS TO BE PACKAGED IN TRAYS.
 - ② BOW ALLOWED AT 0.075MM [.0030] / 25.0MM [.98].

UNLESS OTHERWISE SPECIFIED, DIMENSIONS ARE IN MILLIMETERS.
TOLERANCES ARE:
DECIMALS ANGLES
.X: ±0.3 [.01] 2°
.XX: ±0.13 [.005]
.XXX: ±0.051 [.0020]

MATERIAL: DO NOT SCALE DRAWING
INSULATOR: LCP, COLOR: BLACK
TERMINAL: COPPER ALLOY

PROPRIETARY NOTE
THIS DOCUMENT CONTAINS INFORMATION CONFIDENTIAL AND PROPRIETARY TO SAMTEC, INC. AND SHALL NOT BE REPRODUCED OR TRANSFERRED TO OTHER DOCUMENTS OR DISCLOSED TO OTHERS OR USED FOR ANY PURPOSE OTHER THAN THAT WHICH IT WAS OBTAINED WITHOUT THE EXPRESSED WRITTEN CONSENT OF SAMTEC, INC.

SHEET SCALE: 1.5:1

520 PARK EAST BLVD, NEW ALBANY, IN 47150
PHONE: 812-944-6733 FAX: 812-948-5047
e-Mail: info@SAMTEC.com code: 5332

DESCRIPTION:
RIGHT ANGLE POWER TERMINAL

DWG. NO.
MPTC-XX-XX-XX-01-XX-X-RA-XX

BY: CLAY W 2/2/2007 SHEET 1 OF 3

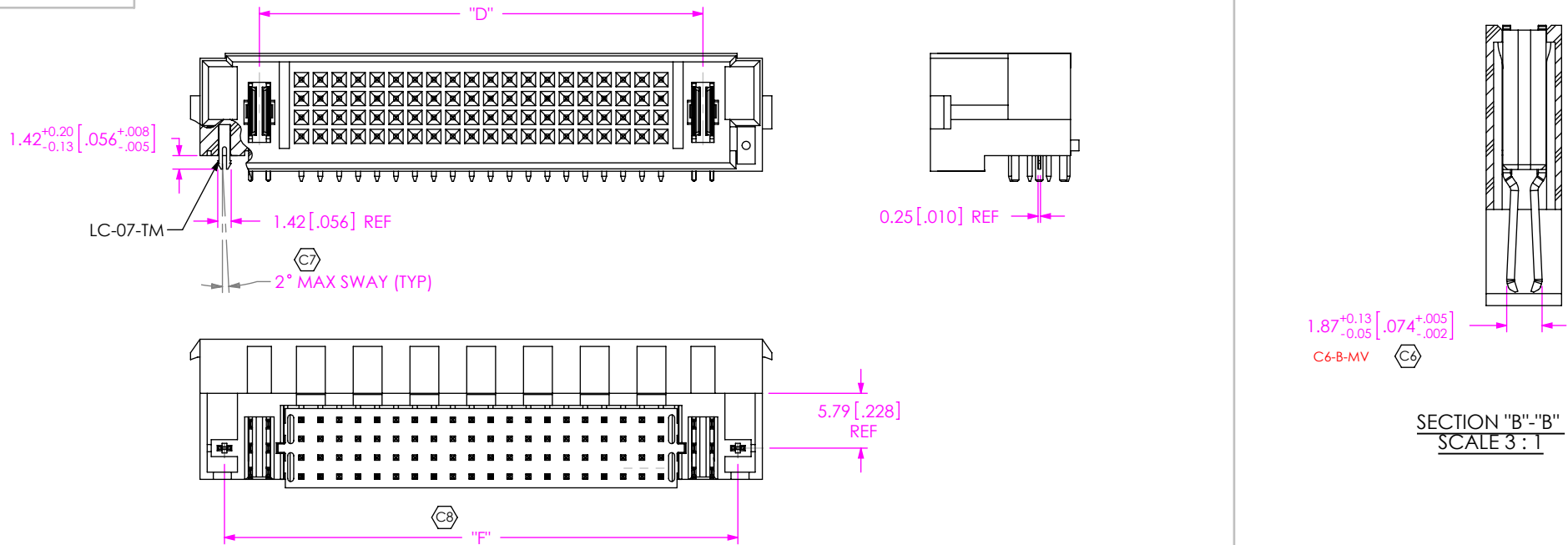
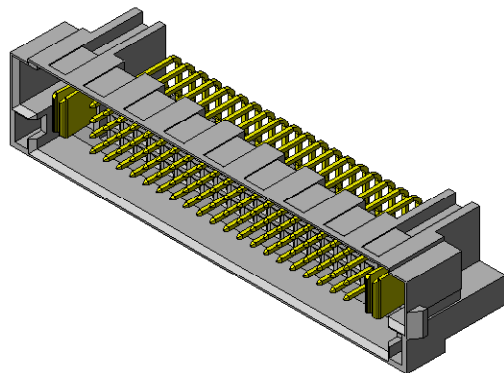


FIG. 2
MPTC-01-80-01-01-XX-X-RA-LC SHOWN
(SAME AS FIG. 1, UNLESS OTHERWISE STATED)

TABLE 2						
PART NUMBER	BODY	"B"	"C"	"D"	"E"	"F"
MPTC-01-80-01-01-XX-X-RA-XX	MPT-02-RA-XX-80	63.25 [2.490]	58.17 [2.290]	46.89 [1.846]	48.77 [1.920]	54.26 [2.136]
MPTC-02-80-02-01-XX-X-RA-XX	MPT-04-RA-XX-80	73.25 [2.884]	68.17 [2.684]	56.89 [2.240]	58.77 [2.314]	64.26 [2.530]



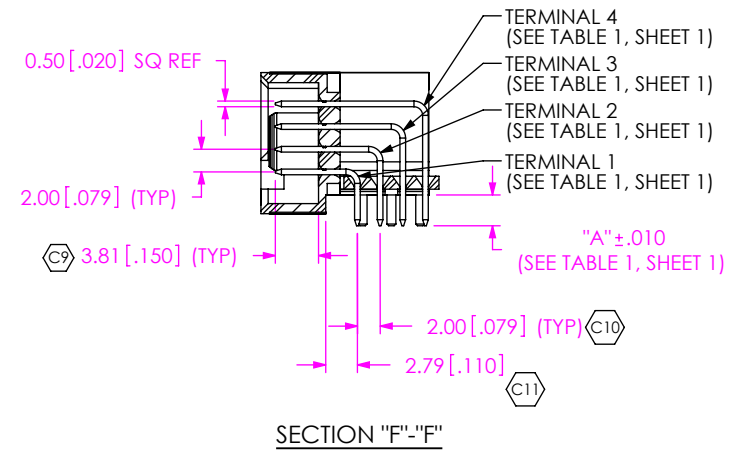
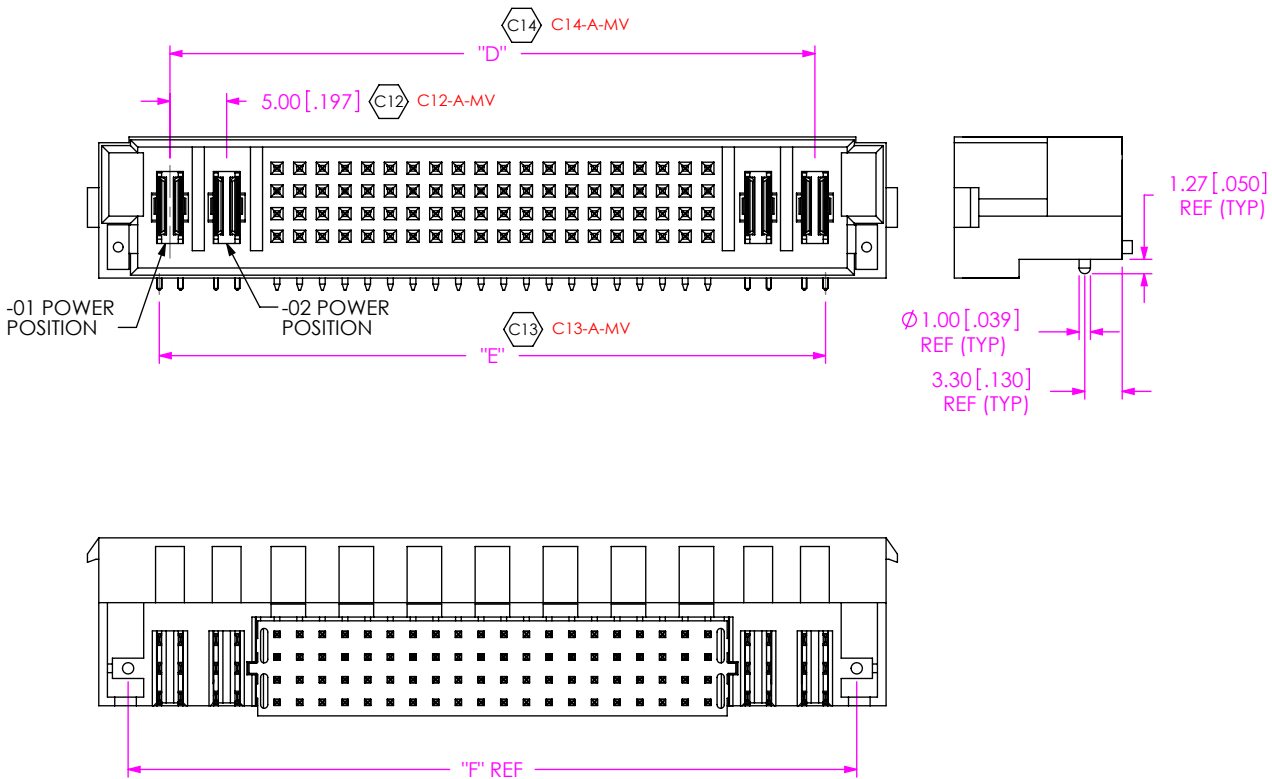
PROPRIETARY NOTE
THIS DOCUMENT CONTAINS INFORMATION CONFIDENTIAL AND PROPRIETARY TO SAMTEC, INC. AND SHALL NOT BE REPRODUCED OR TRANSFERRED TO OTHER DOCUMENTS OR DISCLOSED TO OTHERS OR USED FOR ANY PURPOSE OTHER THAN THAT WHICH IT WAS OBTAINED WITHOUT THE EXPRESSED WRITTEN CONSENT OF SAMTEC, INC.

DO NOT SCALE DRAWING
SHEET SCALE: 1.5:1



520 PARK EAST BLVD, NEW ALBANY, IN 47150
PHONE: 812-944-6733 FAX: 812-948-5047
e-Mail: info@SAMTEC.com code: 55322

DESCRIPTION:
RIGHT ANGLE POWER TERMINAL
DWG. NO.
MPTC-XX-XX-XX-01-XX-X-RA-XX
BY: CLAY W 2/2/2007 SHEET 2 OF 3



PROPRIETARY NOTE
THIS DOCUMENT CONTAINS INFORMATION CONFIDENTIAL AND PROPRIETARY TO SAMTEC, INC. AND SHALL NOT BE REPRODUCED OR TRANSFERRED TO OTHER DOCUMENTS OR DISCLOSED TO OTHERS OR USED FOR ANY PURPOSE OTHER THAN THAT WHICH IT WAS OBTAINED WITHOUT THE EXPRESSED WRITTEN CONSENT OF SAMTEC, INC.



520 PARK EAST BLVD, NEW ALBANY, IN 47150
PHONE: 812-944-6733 FAX: 812-948-5047
e-Mail: info@SAMTEC.com code: 55322

DO NOT SCALE DRAWING

SHEET SCALE: 1.5:1

DESCRIPTION:
RIGHT ANGLE POWER TERMINAL

DWG. NO.
MPTC-XX-XX-XX-01-XX-X-RA-XX

BY: CLAY W 2/2/2007 SHEET 3 OF 3