



N Male Precision Connector Solder Attachment For PE-SR405AL, PE-SR405FL, RG405

TECHNICAL DATA SHEET

PE4222

N Male Precision Connector Solder Attachment For PE-SR405AL, PE-SR405FL, RG405

Configuration

Connector	N Male
Connector Interface Type	PE-SR405AL,PE-SR405FL,RG405
Cable Attachment Method (Shield/Contact)	Solder/Solder
Connector Design	Precision
Body Style	Straight

Electrical Specifications

Impedance, Ohms	50
-----------------	----

Mechanical Specifications

Size

Length, in [mm]	0.98 [24.89]
Width/Dia., in [mm]	0.8 [20]
Weight, lbs [g]	0.055 [24.95]

Connector

Type	N Male
Contact Material and Plating	Gold
Coupling Nut Material and Plating	Nickel
Body Material and Plating	Gold
Dielectric Type	PTFE

Compliance Certifications (visit www.Pasternack.com for current document)

RoHS Compliant	Yes
----------------	-----

Plotted and Other Data

Notes: Values at 25 °C, sea level

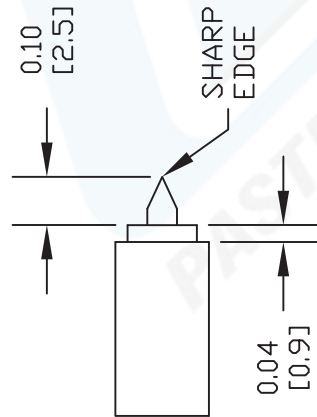
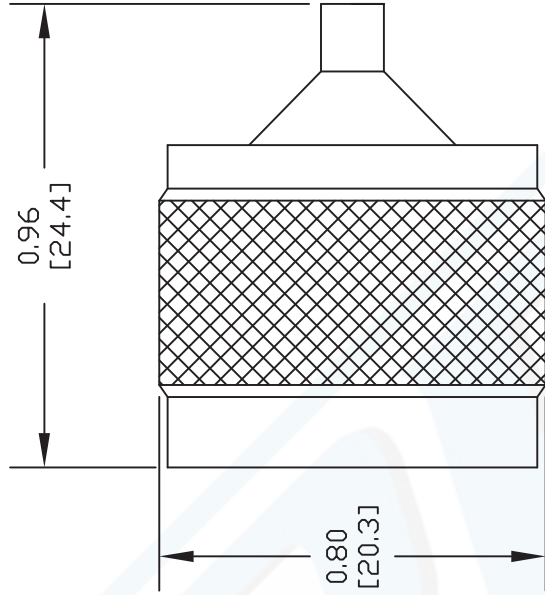
URL: <http://www.pasternack.com/n-male-standard-pe-sr405al-pe-sr405fl-rg405-connector-pe4222-p.aspx>

N Male Precision Connector Solder Attachment For PE-SR405AL, PE-SR405FL, RG405 from Pasternack Enterprises has same day shipment for domestic and International orders. We maintain 99% availability of the industry's broadest selection of RF, microwave and fiber optic products.

The information contained in this document is accurate to the best of our knowledge and representative of the part described herein. It may be necessary to make modifications to the part and/or the documentation of the part, in order to implement improvements. Pasternack reserves the right to make such changes as required. Unless otherwise stated, all specifications are nominal.

PE4222 CAD Drawing

N Male Precision Connector Solder Attachment For PE-SR405AL, PE-SR405FL, RG405



STRIPPING DIMENSIONS ASSEMBLY PROCEDURES

1. STRIP CABLE AS SHOWN. DO NOT NICK CENTER CONDUCTOR.
2. INSERT CABLE INTO BODY UNTIL CENTER CONDUCTOR PLUGS INTO THEN SOLDER OUTER CONDUCTOR TO BODY.

DWG TITLE

PE4222

NOTES:
 1. UNLESS OTHERWISE SPECIFIED ALL DIMENSIONS ARE NOMINAL.
 2. ALL SPECIFICATIONS ARE SUBJECT TO CHANGE WITHOUT NOTICE AT ANY TIME.
 3. DIMENSIONS ARE IN INCHES [mm].
 4. FITS MIL-C-17 AND EQUIVALENT CABLES.

REV. -

FSCM NO. 53919

CAD FILE 041702

SCALE N/A

SIZE A

127



Pasternack Enterprises, Inc.

P.O. Box 16759 | Irvine | CA | 92623

Phone: (949) 261-1920 | Fax: (949) 261-7451

Website: www.pasternack.com | E-Mail: sales@pasternack.com