

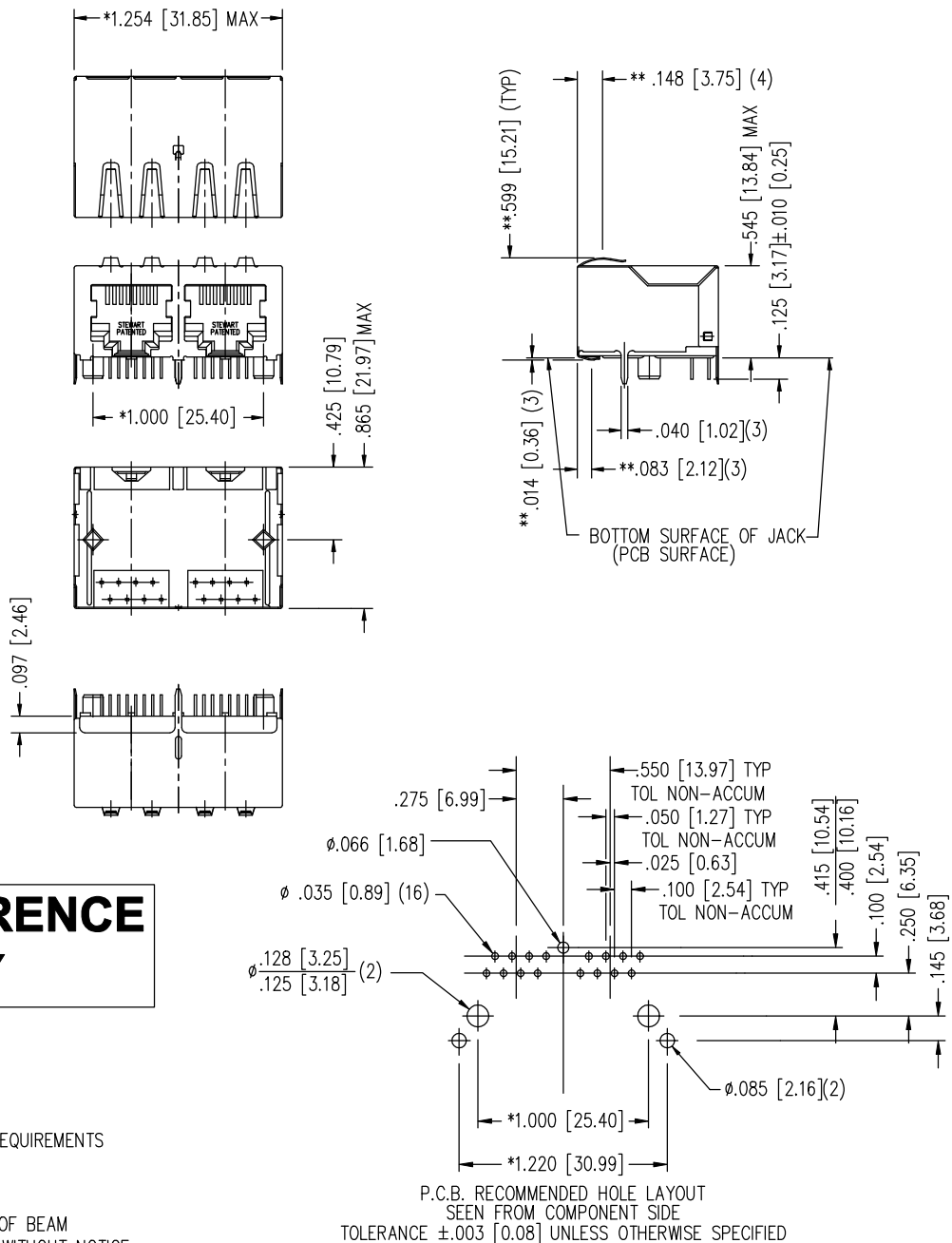


**Stewart Connector Systems, Inc.**  
**Insilco Technologies Group**  
 11118 Susquehanna Trail South  
 Glen Rock, PA 17327-9199  
 (717) 235-7512 Fax: (717) 235-7954

REV.	REVISION CHANGES
A1	ADDED NEW FORMAT

PART NO. SS-718802S-A-PG1-AC (30uIN GOLD)  
 PART NO. SS-718802S-A-PG1-AC-50 (50uIN GOLD)

CAT 5 JACK  
 EMI-RFI ONE PIECE SHIELDED, ESD GROUNDING  
 2 PORT PCB HARMONICA JACK PAC  
 "-PG1" DESIGNATES NO SIDE PANEL GROUNDS.  
 "-AC" DESIGNATES INCLUSION OF ALL TOP AND BOTTOM PANEL  
 GROUNDS, WITH ALL REAR AND SIDE SOLDER TAILS PRESENT.



**FOR REFERENCE ONLY**

NOTES:

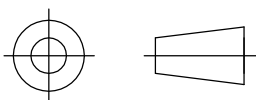
- MEETS CATEGORY 5 SPECIFICATION AS TESTED PER TIA/EIA 568A.
- TOLERANCES COMPLY WITH F.C.C. DIMENSION REQUIREMENTS
- DIMENSIONS SHOWN WITH "\*" TO BE CENTRAL ABOUT CENTER LINE
- "\*\*\*" ON DIMENSION INDICATES HIGHEST POINT OF BEAM
- DIMENSIONS SHOWN ARE SUBJECT TO CHANGE WITHOUT NOTICE

AVAILABLE WITH:

- LOADED 1 - 8 CONTACTS  
 CT710069

SHT. 1 OF 2

THIRD ANGLE PROJECTION



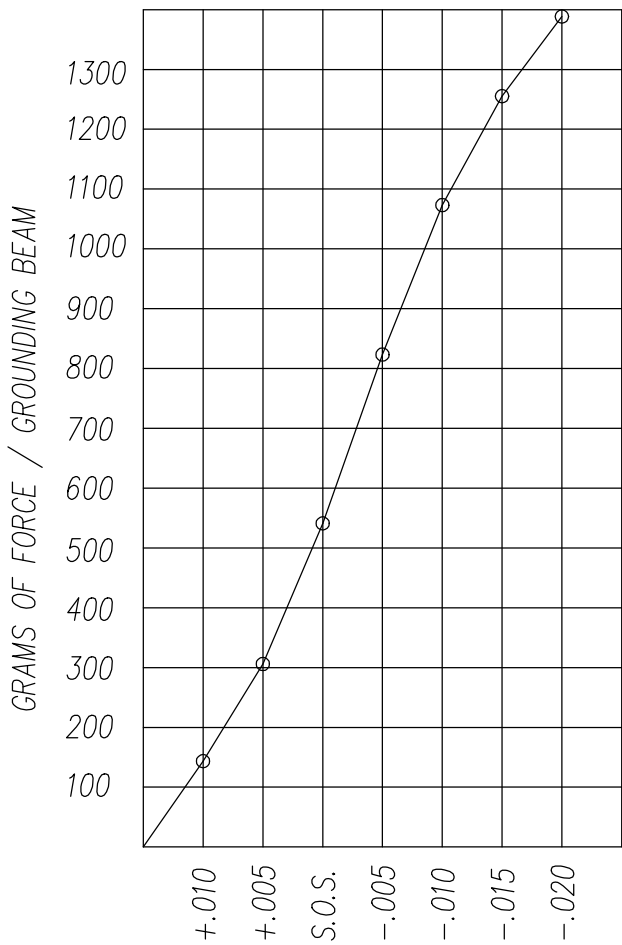
THIS DRAWING AND THE SUBJECT MATTER SHOWN THEREON ARE CONFIDENTIAL AND THE PROPRIETARY PROPERTY OF STEWART CONNECTOR SYSTEMS ("SCS") AND SHALL NOT BE REPRODUCED, COPIED OR USED IN ANY MANNER WITHOUT PRIOR WRITTEN CONSENT OF "SCS". THE SUBJECT MATTER MAY BE PATENTED OR A PATENT MAY BE PENDING. © SCS



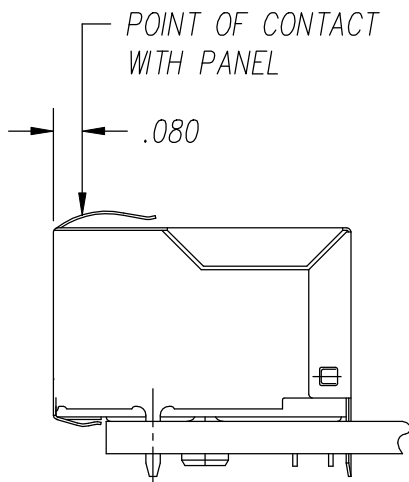
Stewart Connector Systems, Inc.  
 Insilco Technologies Group  
 11118 Susquehanna Trail South  
 Glen Rock, PA 17327-9199  
 (717) 235-7512 Fax: (717) 235-7954

REV.	REVISION CHANGES
A1	ADDED NEW FORMAT

PART NO. SS-718802S-A-PG1-AC (30uIN GOLD)  
 PART NO. SS-718802S-A-PG1-AC-50 (50uIN GOLD)

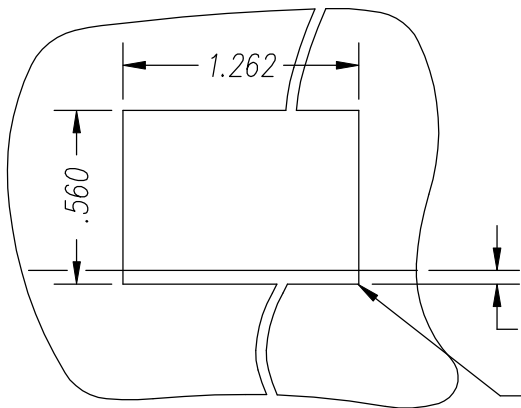


PANEL GROUNDING BEAM DEFLECTION  
 S.O.S. = SUGGESTED OPENING SIZE



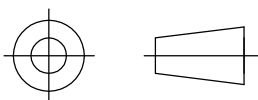
THE SUGGESTED PANEL OPENING IS INTENDED TO GIVE THE USER THE ABILITY TO HAVE REASONABLE JACK / PANEL CLEARANCES YET MAINTAIN RELIABLE GROUNDING CAPABILITY. THESE VARIABLES CAN BE ADJUSTED IN EITHER DIRECTION BUT MAY CARRY SOME CONSEQUENCES IN THE FORM OF LOWER MATING FORCES OR TIGHTER ASSEMBLY TOLERANCES. FORCE VALUES ON THE GRAPH ARE GENERAL AVERAGES TAKEN AT THE POINT OF CONTACT SHOWN ABOVE. THE SUGGESTED PANEL OPENING INCLUDES APPROXIMATELY .020 CLEARANCE ON THE SIDES AND TOP AND .005 ON THE BOTTOM.

**FOR REFERENCE ONLY**



SUGGESTED PANEL OPENING

THIRD ANGLE PROJECTION



THIS DRAWING AND THE SUBJECT MATTER SHOWN THEREON ARE CONFIDENTIAL AND THE PROPRIETARY PROPERTY OF STEWART CONNECTOR SYSTEMS ("SCS") AND SHALL NOT BE REPRODUCED, COPIED OR USED IN ANY MANNER WITHOUT PRIOR WRITTEN CONSENT OF "SCS". THE SUBJECT MATTER MAY BE PATENTED OR A PATENT MAY BE PENDING. © SCS