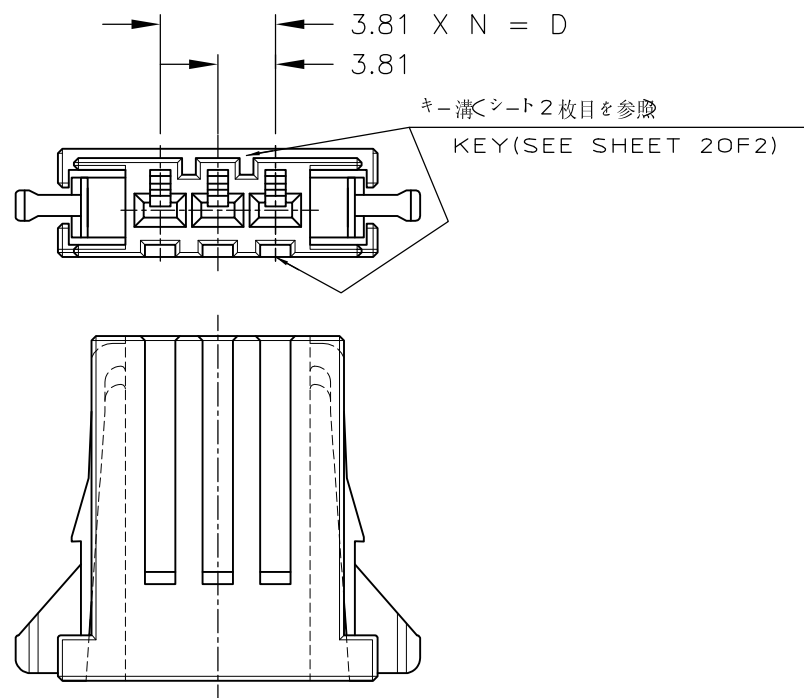
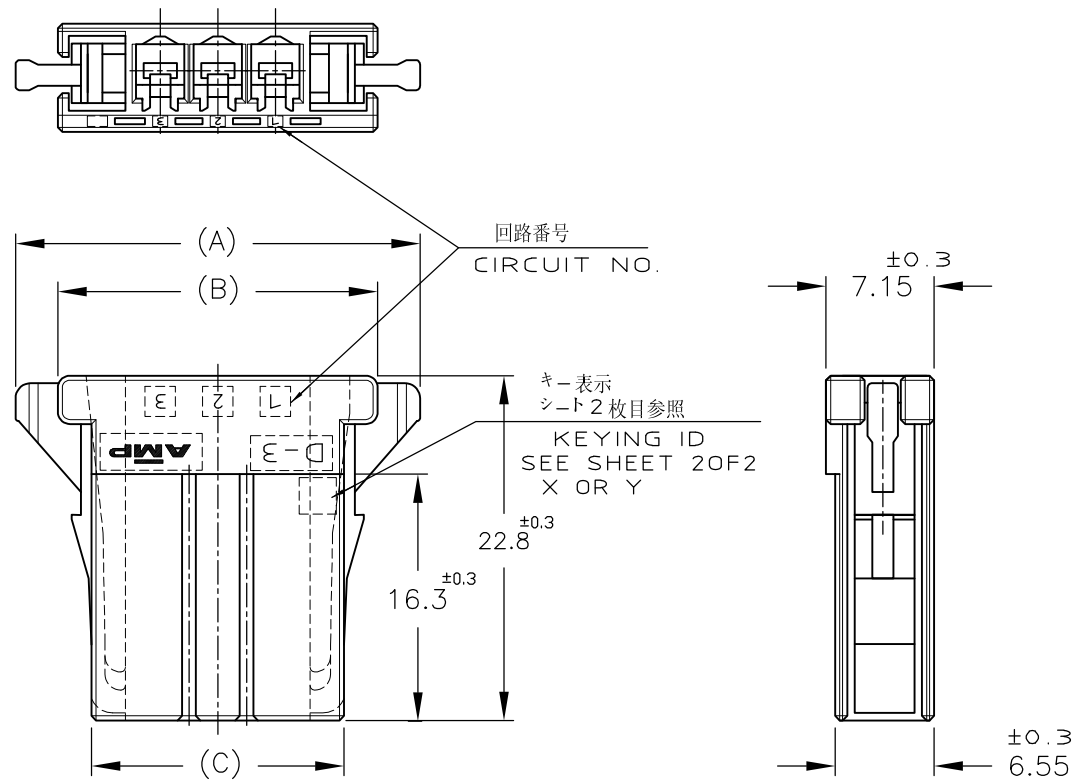


NUMBER 178288



METRIC

PRINT DIST 单位 耗 DIMENSIONS IN MM. DO NOT SCALE PRINT



NOTE

1 MATERIAL: GLASS FIELD THERMO PLASTIC, POLYESTER
 COLOR: BLACK
~~△ TO COAT ALL SURFACE OF HOUSING WITH TEFLON~~

注記

1 材料: ガラス入り熱可塑性ポリエステル樹脂
 色: 黒色
~~△ ハウジング全面にテフロン塗装のこと~~

FINISH	POS.	DIMENSION	A	B	C	D	N	PART NUMBER
	10 POS.		53.43	47.83	43.37	34.29	9	2-178288-8
	10 POS.		53.43	47.83	43.37	34.29	9	1-178288-8
	8 POS.		45.81	40.12	35.97	26.67	7	1-178288-7
	6 POS.		38.19	32.59	28.13	19.05	5	2-178288-6
	6 POS.		38.19	32.59	28.13	19.05	5	1-178288-6
	5 POS.		34.38	28.78	24.32	15.24	4	1-178288-5
	4 POS.		30.57	24.97	20.51	11.43	3	2-178288-4
	4 POS.		30.57	24.97	20.51	11.43	3	1-178288-4
OBSOLETE	△ 3 POS.		26.76	21.16	16.7	7.62	2	6-178288-3
OBSOLETE	△ 3 POS.		26.76	21.16	16.7	7.62	2	5-178288-3
	3 POS.		26.76	21.16	16.7	7.62	2	2-178288-3
	3 POS.		26.76	21.16	16.7	7.62	2	1-178288-3

				STE TE Connectivity					
				抱合電線断面(WIRE RANGE)		被覆外径(INSULATION DIA.)		名称(NAME)	
				mm ² (AWG -)		mmφ		REC HSG FOR DYNAMIC, SINGLE ROW ダイナミックφ-3100リセハウジング	
				材料(MATERIAL) SEE NOTE 注記参照		仕上(FINISH)		一般公差 (GENERAL TOLERANCE)	
				DR. 9 JUL 91 N. Matsubara		DE. 9 JUL 91 N. Matsubara		SIZE LOC 番号(No.) A3 J C=178288	
E4 REVISED PER ECO-11-005030				RK HMR 21MAR11		CHK. 17 JUL 91 H. Obata		APP. 17-DEC-'91 S. MANABE	
LTR 変更 (REVISION RECORD)				DR CHK DATE				尺度(SCALE) REV. SHEET 2-1 E4 1 OF 2	

NUMBER 178288

NUMBER



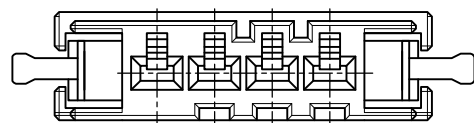
第三角法(3rd ANGLE PROJECTION)

METRIC

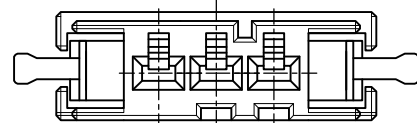
PRINT DIST 单位 耗 DIMENSIONS IN MM. DO NOT SCALE PRINT

PRINT DIST

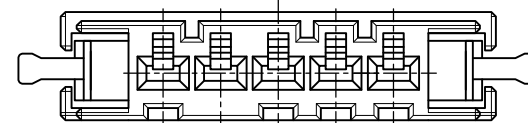
KEYING LOCATION



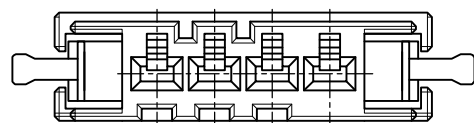
(P/N 2-178288-4 ONLY)
(KEYING: Y)



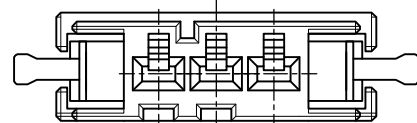
(P/N 2-178288-3 ONLY)
(KEYING: Y)



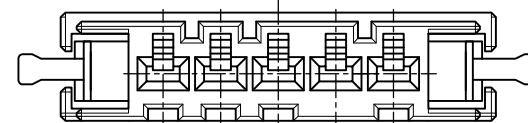
(P/N 2-178288-6,-8)
(KEYING: Y)



(P/N 1-178288-4 ONLY)
(KEYING: X)



(P/N 1-178288-3 ONLY)
(KEYING: X)



(P/N 1-178288-5,-6,-7,-8)
(KEYING: X)

					STE TE Connectivity	
					抱合電線断面(WIRE RANGE)	
					被覆外径(INSULATION DIA.)	
					名称(NAME)	
					REC HSG FOR DYNAMIC, SINGLE ROW	
					ダイナミック-3100リセハウジング	
					材料(MATERIAL)	
					仕上(FINISH)	
					一般公差 (GENERAL TOLERANCE)	
					10以下 : ±0.2	
					10を超え 30以下 : ±0.25	
					30を超え 100以下 : ±0.3	
					角度 : ±3°	
					SIZE	LOC
					A3	J
					番号(No.)	
					178288	
					尺度(SCALE)	REV.
					2-1	E4
					SHEET	
					2 OF 2	
LTR	変更 (REVISION RECORD)	DR	CHK	DATE	CHK.	APP.
					SEE 1	OF 2