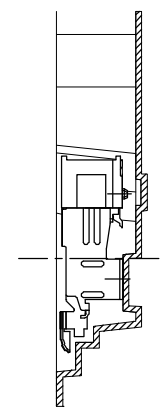
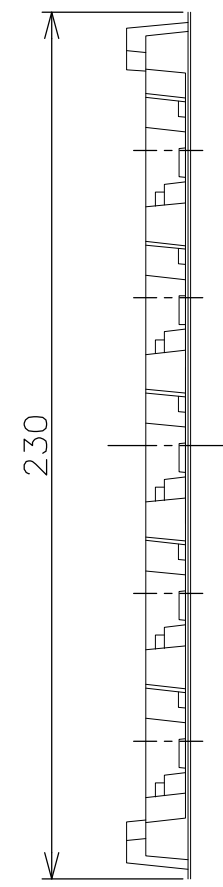
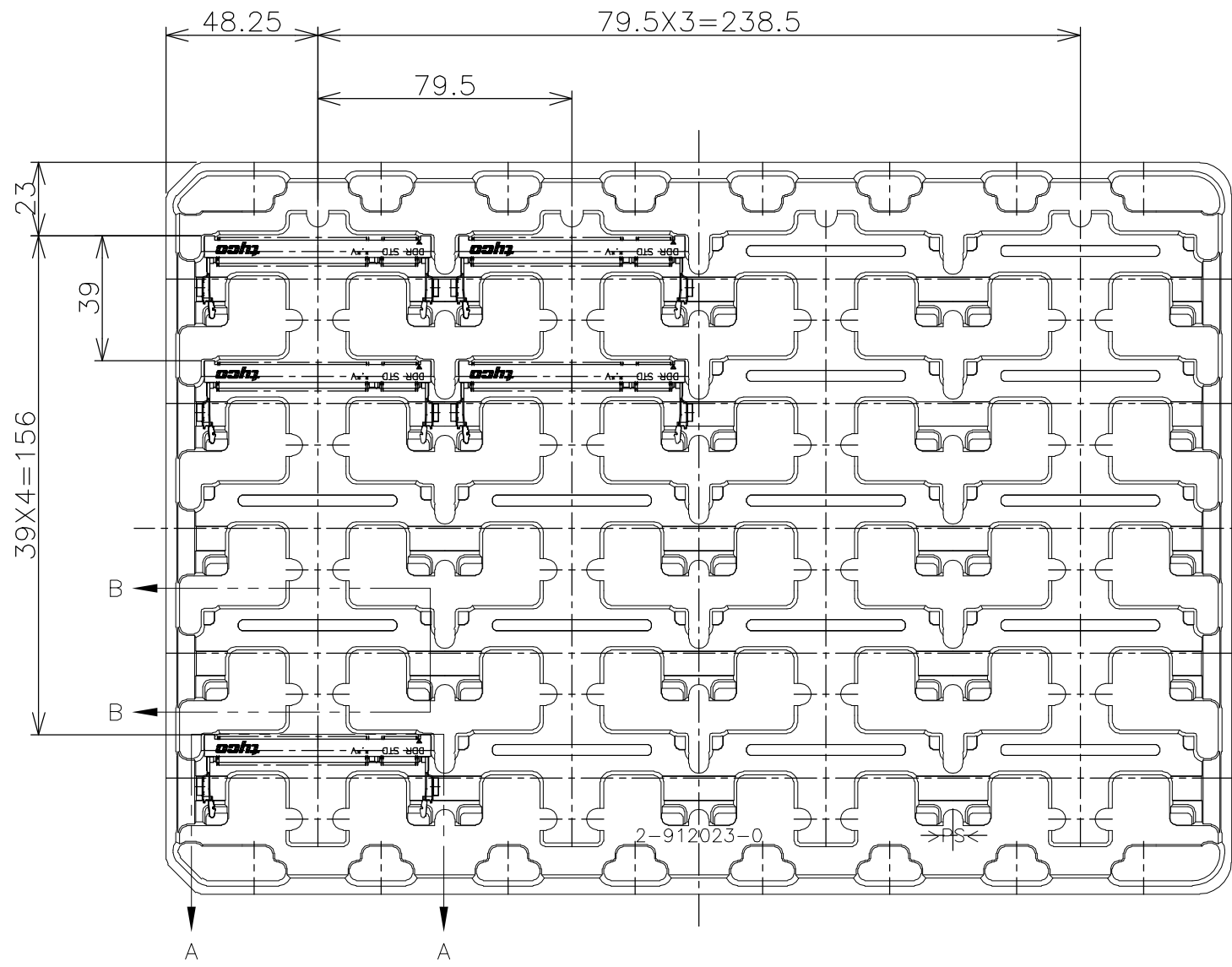
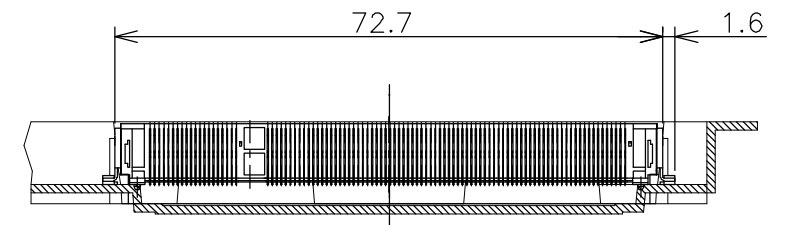


LOC	DIST	REVISIONS					
		P	LTR	DESCRIPTION	DATE	DWN	APVD
J	-	B		REVISED (ECR-06-024642)	17OCT06	S.L	S.Y



B-B SCALE 1:1



A-A SCALE 1:1 (180DEG. ROTATE)

- (APPLIED TO SHEET 1)
 1. THE DIRECTION OF EACH CONNECTOR ON A TRAY IS REFERRED TO THIS DRAWING.
 2. GENERAL TOLERANCE: ±0.5

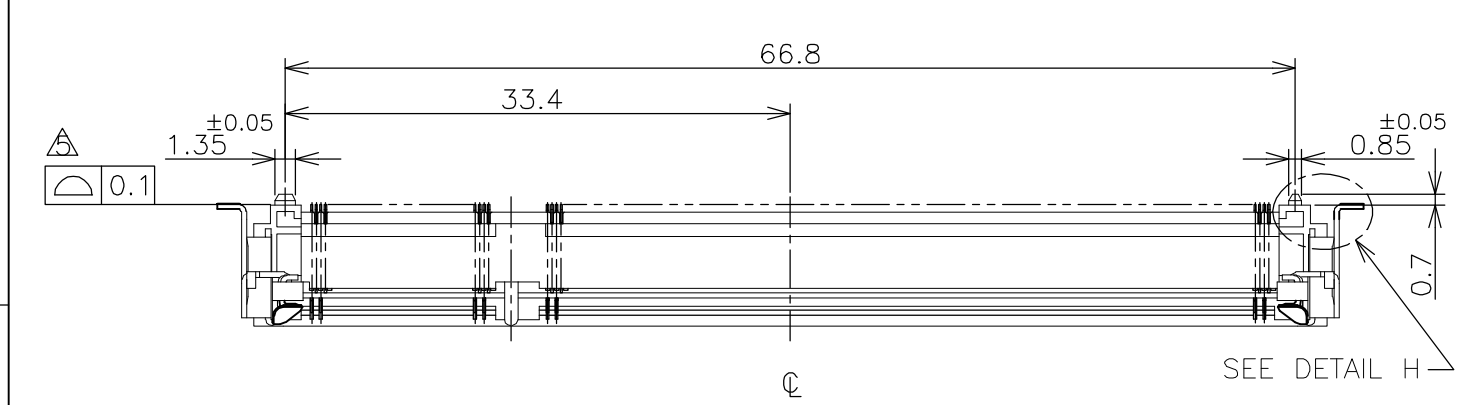
1.8V (DDR2)	20EA/TRAY	1747407-4
2.5V (DDR1)	20EA/TRAY	1747407-1
POWER SUPPLY(TYPE)	QTY	P/N

THIS DRAWING IS A CONTROLLED DOCUMENT.		DWN LEO ZHOU 18JAN05	Tyco Electronics AMP K.K. Kawasaki, Japan	
DIMENSIONS: MM		CHK T.KAWAMAE 18JAN05		
TOLERANCES UNLESS OTHERWISE SPECIFIED:		APVD I.ENOMOTO 18JAN05	NAME	
0 PLC ±		PRODUCT SPEC	DDR1 & DDR2 SODIMM SOCKET 0.6mm PITCH	
1 PLC ±		108-5701	200POS 8mm HEIGHT STANDARD TYPE	
2 PLC ±		APPLICATION SPEC	(LATCH DIRECT SOLDERING TYPE)	
3 PLC ±		WEIGHT	SIZE A3	RESTRICTED TO
4 PLC ±		CUSTOMER DRAWING	CAGE CODE 00779	DRAWING NO C-1747407
ANGLES ±		SCALE 1:2	SHEET 1 OF 4	REV B
FINISH				

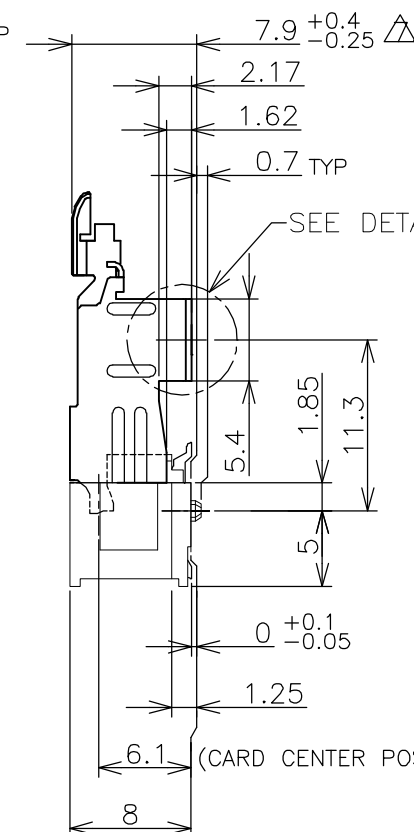
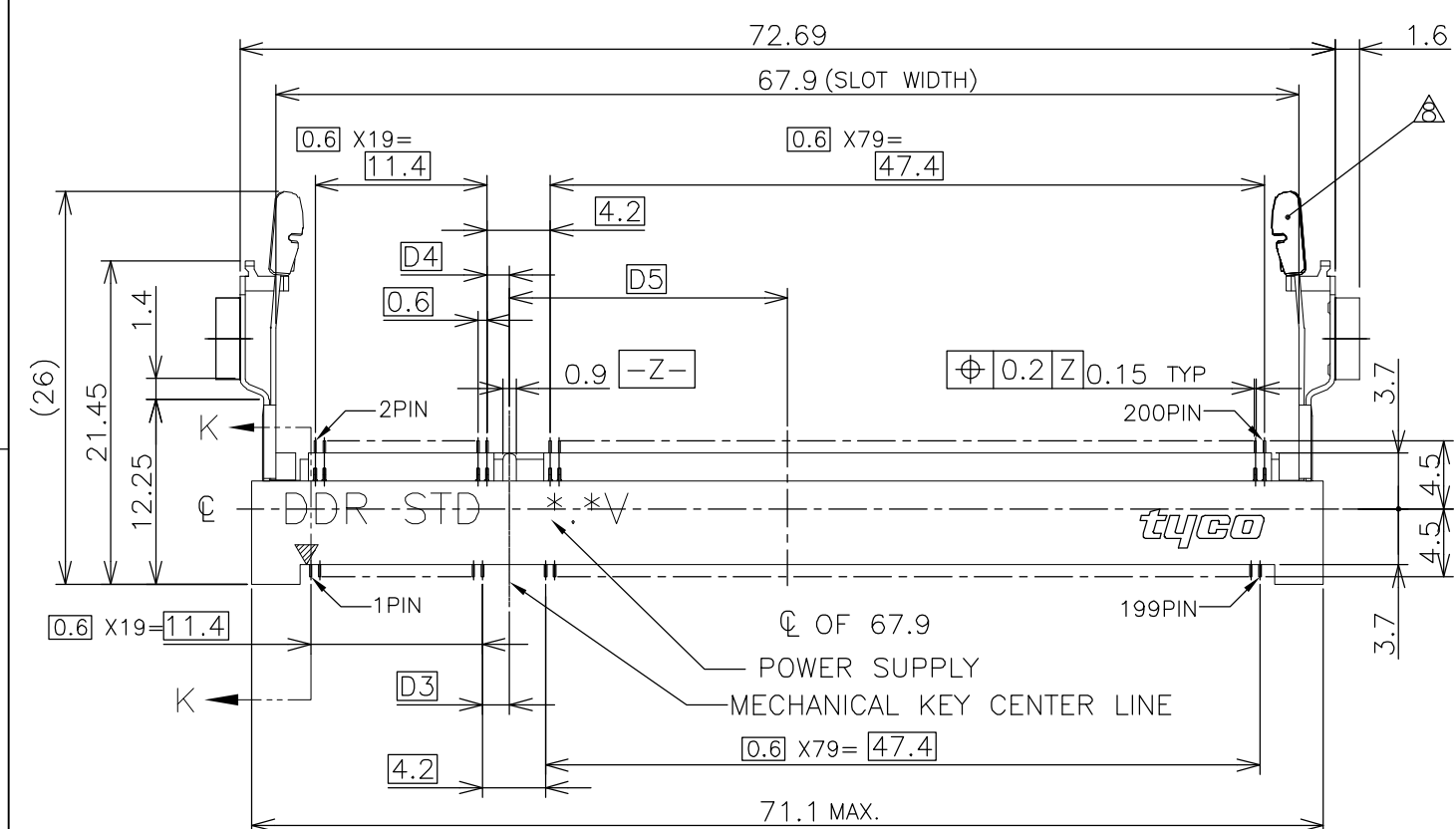
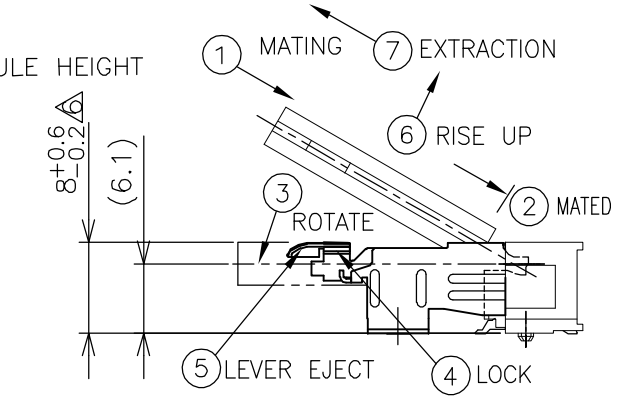
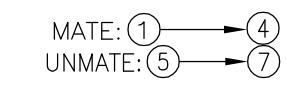
GENERAL TOLERANCE
 0~10 : ±0.2
 10~30 : ±0.25
 30~100 : ±0.3
 ANGLES : ±3'

THIS DRAWING IS UNPUBLISHED. RELEASED FOR PUBLICATION NOV. 2002.
 © COPYRIGHT 2002 BY TYCO ELECTRONICS CORPORATION. ALL RIGHTS RESERVED.

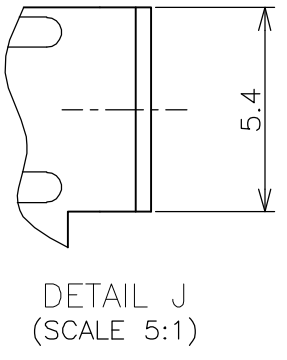
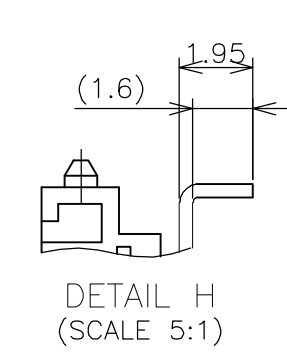
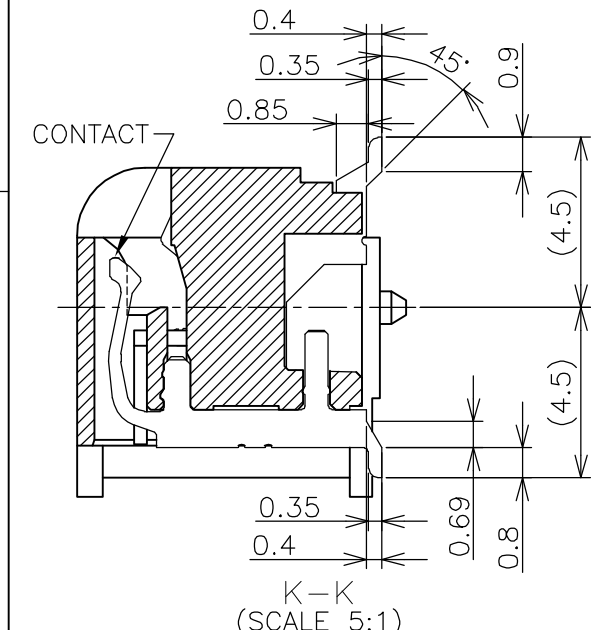
LOC	DIST	REVISIONS					
		P	LTR	DESCRIPTION	DATE	DWN	APVD
J	-	-	-	SEE SHEET 1	-	-	-



HOW TO MATE AND UNMATE



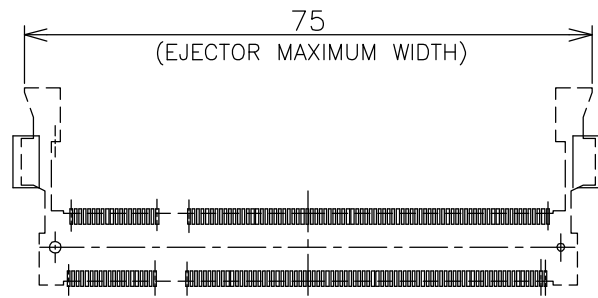
- (APPLIED TO SHEET 2-3)
- MATERIAL ; HOUSING:HIGH TEMPERATURE THERMO PLASTIC UL94V-0, COLOR : BLACK
 CONTACT : COPPER ALLOY
 LOCK LEVER : STAINLESS STEEL
 - FINISH ; CONTACT : Au PL. IN CONTACT AREA AND SOLDERING AREA ON NICKEL UNDER PL.
 SOLDERING AREA(LOCK LEVER) : TIN PL.
- MECHANICAL KEY POSITION OF CONNECTOR SEE TABLE.
 - TOLERANCES NON-CUMMURATIVE.
 - COPLANARITY: 0.1MAX
 - THE FLOATING VALUE BY SOLDERING IS NOT INCLUDED.
 - NOT MATING CONDITION.
 - THIS PART IS NOT THE TYPE WHICH PREVENTS HALF MATING.
 - IF THE MODULE DOESN'T INSERT AND LOCK IN THE LATCH SMOOTHLY, OPEN WIDE BOTH LATCHES BY MANUAL. AND THE MODULE MUST BE INSERTED AND LOCKED IN THE LATCH.



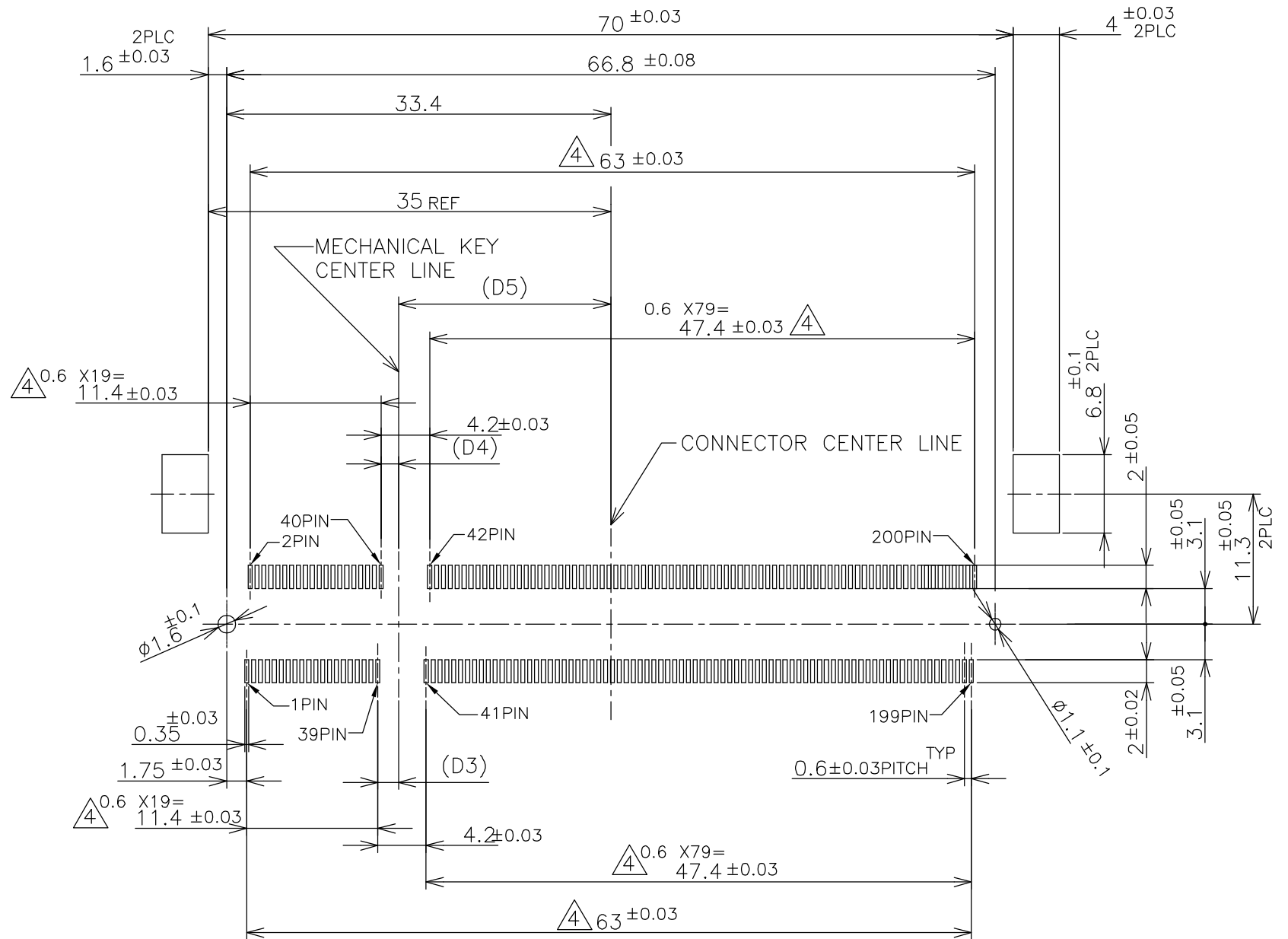
AVAILABLE	1.8V (DDR2)	17.55	2.4	2.7	200	1747407-4
AVAILABLE	2.5V (DDR1)	18.45	1.5	1.8	200	1747407-1
TOOLING STATUS	POWER SUPPLY (TYPE)	D5	D4	D3	POS	PART NO.

THIS DRAWING IS A CONTROLLED DOCUMENT.		DWN		Tyco Electronics AMP K.K.	
DIMENSIONS: MM		CHK		Kawasaki, Japan	
TOLERANCES UNLESS OTHERWISE SPECIFIED:		APVD		NAME	
0 PLC ±		PRODUCT SPEC		DDR1 & DDR2 SODIMM SOCKET 0.6mm PITCH	
1 PLC ±		APPLICATION SPEC		200POS 8mm HEIGHT STANDARD TYPE	
2 PLC ±		WEIGHT		(LATCH DIRECT SOLDERING TYPE)	
3 PLC ±		SIZE		CAGE CODE	
4 PLC ±		DRAWING NO		RESTRICTED TO	
ANGLES ±		A3		00779	
FINISH		C-1747407		SCALE 2:1	
MATERIAL		CUSTOMER DRAWING		SHEET 2 OF 4	
				REV B	

LOC	DIST	REVISIONS			
P	LTR	DESCRIPTION	DATE	DWN	APVD
J	-	SEE SHEET 1	-	-	-



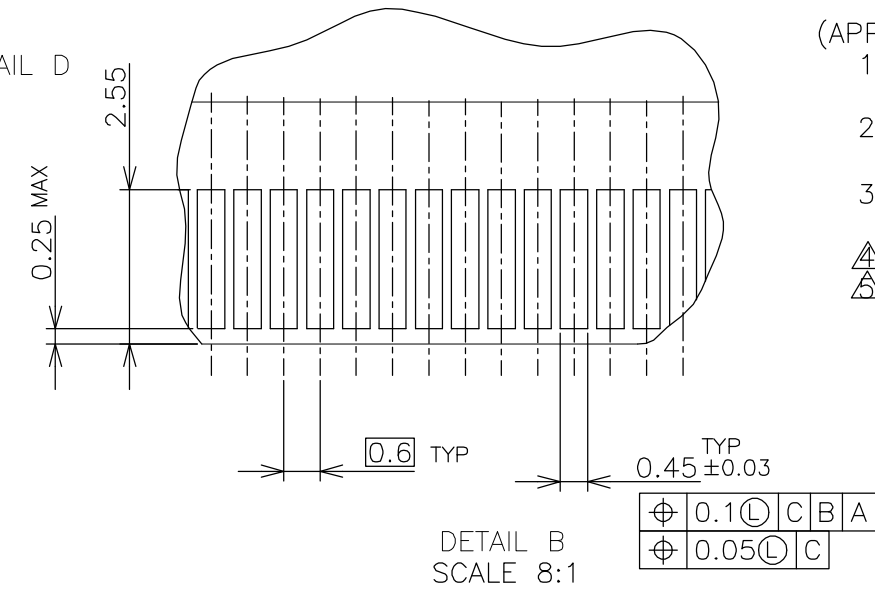
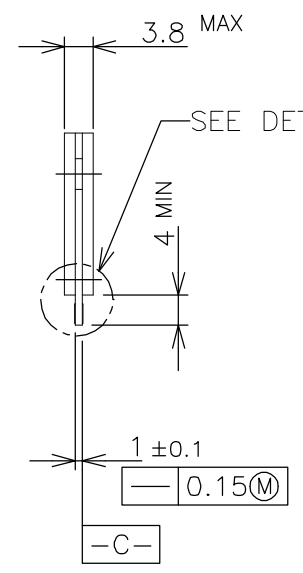
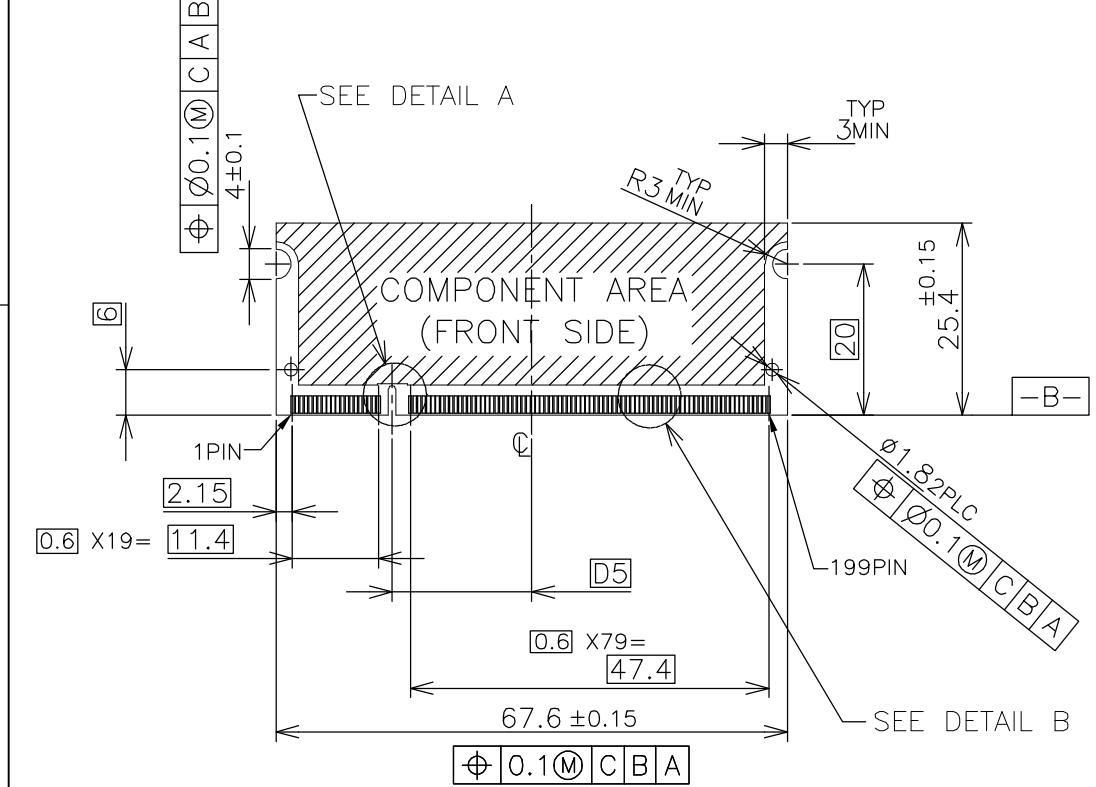
REAL SIZE (SCALE 1:1)



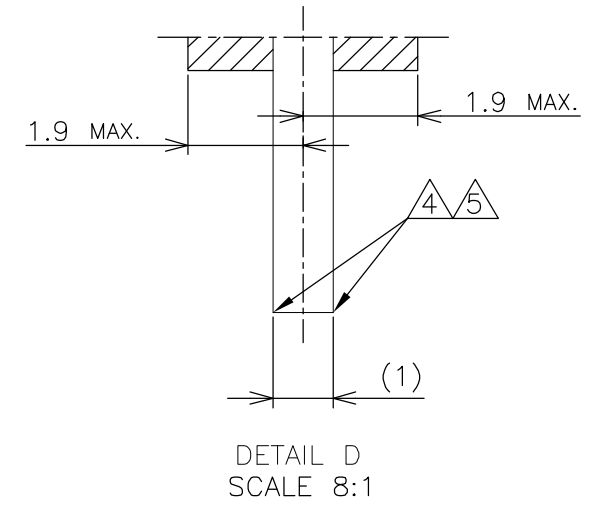
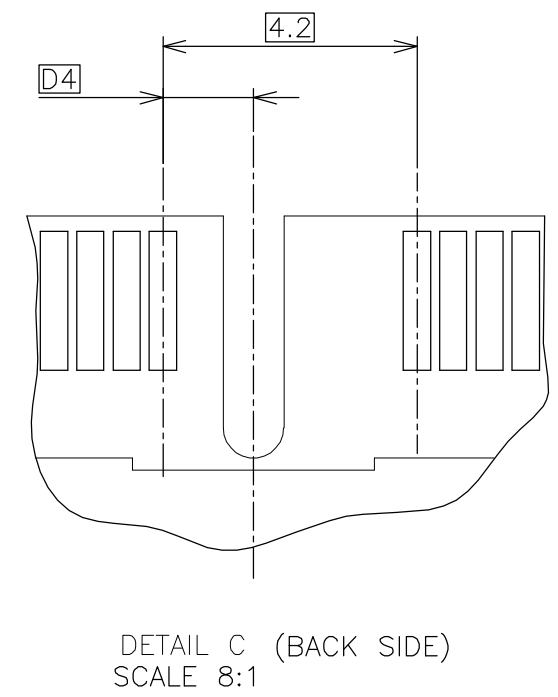
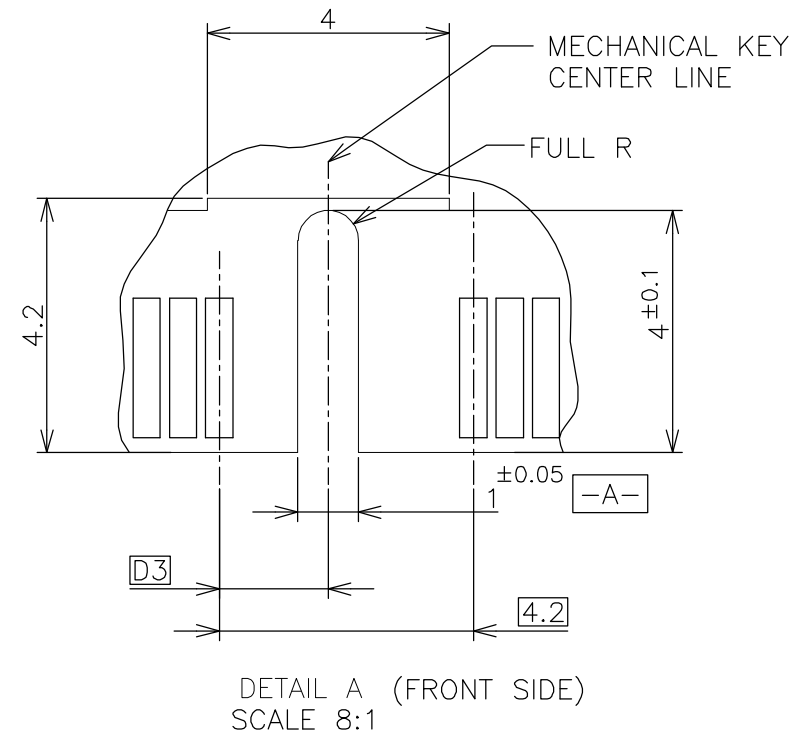
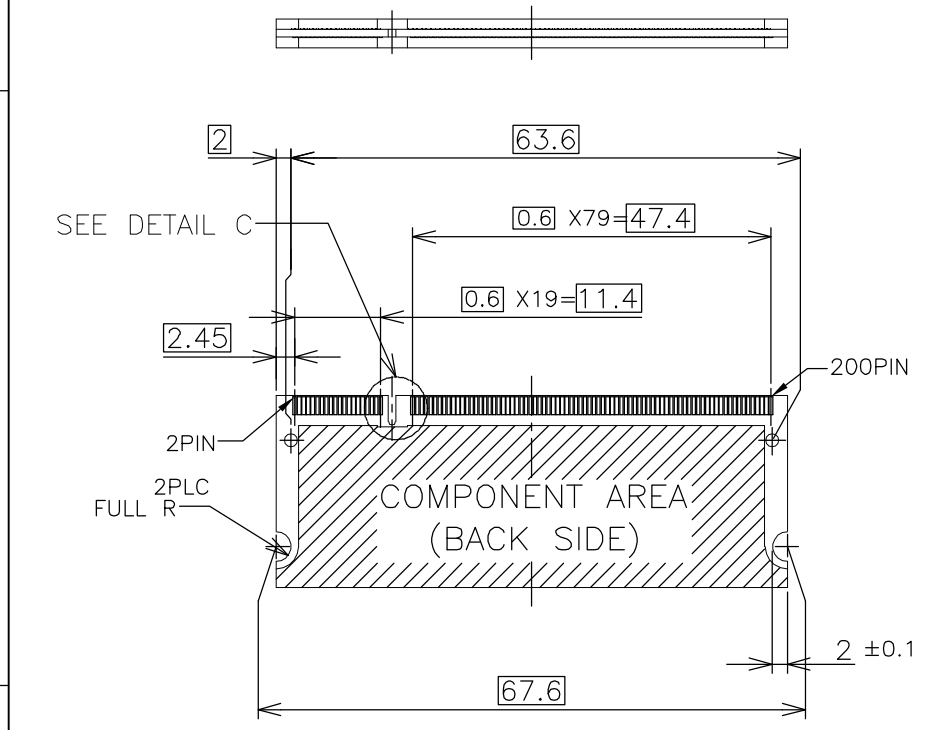
REFERENCE P.C.BOARD PATTERN LAYOUT FOR DUAL USE (CONNECTOR MOUNTING SIDE)

THIS DRAWING IS A CONTROLLED DOCUMENT.		DWN	tyco Tyco Electronics AMP K.K.	
DIMENSIONS: MM		CHK	Electronics Kawasaki, Japan	
TOLERANCES UNLESS OTHERWISE SPECIFIED:		APVD	NAME	
0 PLC ±		PRODUCT SPEC	DDR1 & DDR2 SODIMM SOCKET 0.6mm PITCH	
1 PLC ±		APPLICATION SPEC	200POS 8mm HEIGHT STANDARD TYPE	
2 PLC ±		WEIGHT	(LATCH DIRECT SOLDERING TYPE)	
3 PLC ±		CUSTOMER DRAWING	SIZE	RESTRICTED TO
4 PLC ±			A3	
ANGLES ±			CAGE CODE	DRAWING NO
FINISH			00779	C-1747407
		SCALE	SHEET 3 OF 4	
			REV B	

LOC	DIST	REVISIONS			
P	LTR	DESCRIPTION	DATE	DWN	APVD
J	-	SEE SHEET 1	-	-	-



- (APPLIED TO SHEET 4)
1. TOLERANCES ON ALL DIMENSIONS ± 0.15 UNLESS OTHERWISE SPECIFIED.
 2. P.C. BOARD THICKNESS APPLIES ACROSS TABS AND INCLUDES PLATING AND/OR METALIZATION.
 3. FINISH OF PAD : GOLD PLATING 0.00076 MIN. OVER Ni PLATING 0.002 MIN.
- △ NO BURR.
 - △ CHAMFER 0.25 MAX x 45° IF EXIST.



RECOMMENDED MATING P.C.B CONFIGURATION

1.8V (DDR2)	17.55	2.4	2.7
2.5V (DDR1)	18.45	1.5	1.8
POWER SUPPLY (TYPE)	D5	D4	D3

THIS DRAWING IS A CONTROLLED DOCUMENT.		DWN		tyco Tyco Electronics AMP K.K. Kawasaki, Japan	
DIMENSIONS: MM		CHK			
		TOLERANCES UNLESS OTHERWISE SPECIFIED:		APVD	
		0 PLC ± 1 PLC ± 2 PLC ± 3 PLC ± 4 PLC ± ANGLES ± FINISH ±		NAME	
MATERIAL		PRODUCT SPEC		DDR1 & DDR2 SODIMM SOCKET 0.6mm PITCH 200POS 8mm HEIGHT STANDARD TYPE (LATCH DIRECT SOLDERING TYPE)	
		APPLICATION SPEC		SIZE CAGE CODE DRAWING NO RESTRICTED TO	
		WEIGHT		A3 00779 C-1747407	
		CUSTOMER DRAWING		SCALE 2:1 SHEET 4 OF 4 REV B	