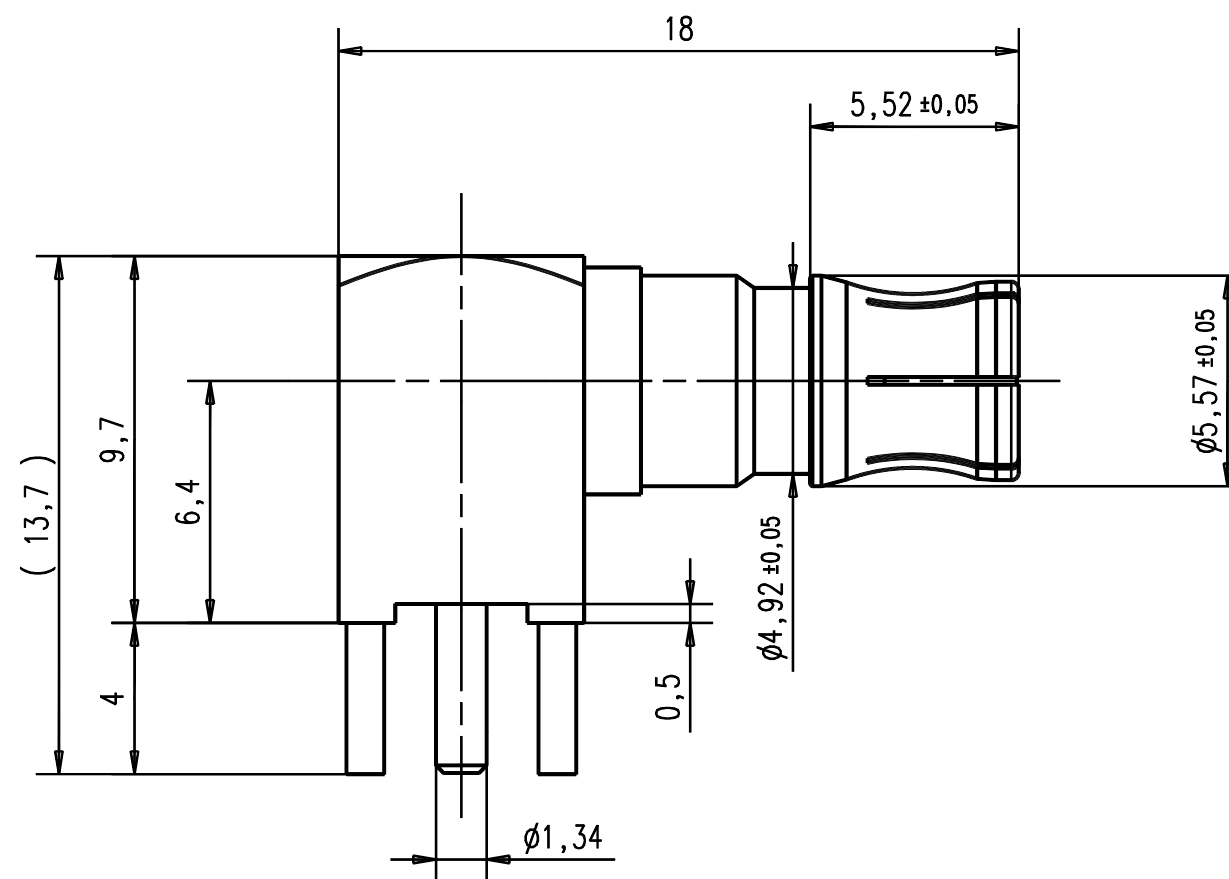
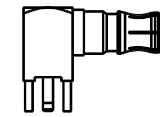
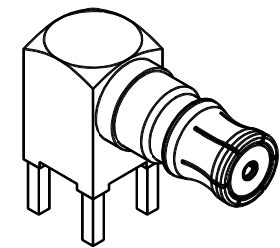


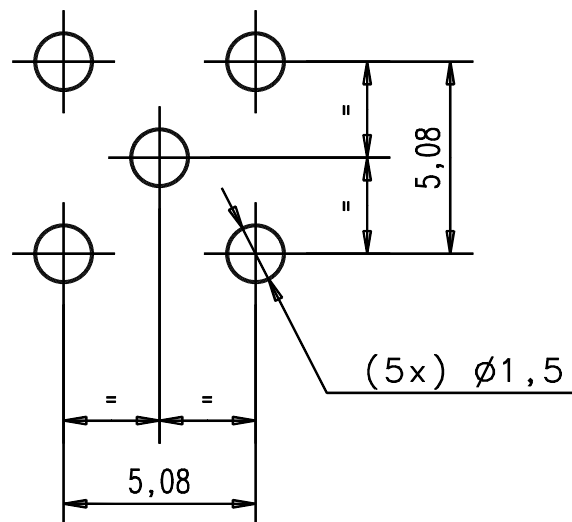
M/scale1:1



M/scale2:1



Mounting detail



Part	Material	Surface
Outer contact	Brass	Ni-P + Au
Centre contact	Berylco 33-25	Ni-P + Au
Insulator	PTFE	

IMS CONNECTOR SYSTEMS					general tolerance ISO 2768 mH		scale: 5:1	
EC_083_06	b	Revised housing	02.05.06	RSc	date	name	Assembly instruction: Stripping dimension:	
EC_201_05	a	Revised housing	28.07.05	RSc	generate	15.02.05	Anbauwinkelbuchse	
					checked		p.c.b. mount angle jack	
					Norm			
					44869			
							3909.QLS.2520.00'	
							Rev. b	
nr.	rev.	alteration	date	name				



IMS CONNECTOR SYSTEMS
Your global connection



Page content

Markets Products Company

Online catalog

Back to product finder

For further information, please [click here](#)

Products

RF-Cable assembly creator

RF-Coaxial connectors

General informations

Family specifications

Online catalog

Assembly instructions

Components for mobile devices

Previous

QLS® - PCB mount angle jack (f) 50 ohm

Next

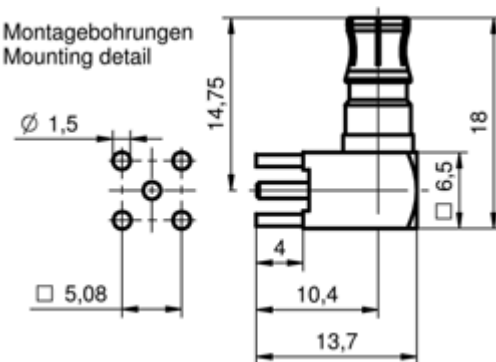


Part Number 3909.QLS.2520.001

Plating 1 = Au
3 = NiP + Au
5 = Whitebronze

Drawing [Download PDF](#)

Montagebohrungen
Mounting detail



Qty. Shipping date

Add to quote request form

[RF product finder](#)
[Sales contact](#)



Product style (1 found)

Ohm Part Number

QLS®

PCB mount angle jack

50

3909.QLS.2520.001

● available ex stock

[Search](#) | [Imprint](#) | [Legal & Privacy](#) | [Site i](#)



IMS CONNECTOR SYSTEMS
Your global connection



Page content

Markets Products Company

Online catalog

Back to product finder

For further information, please [click here](#)

Products

RF-Cable assembly creator

RF-Coaxial connectors

General informations

Family specifications

Online catalog

Assembly instructions

Components for mobile devices

Previous

QLS® - PCB mount angle jack (f) 50 ohm

Next



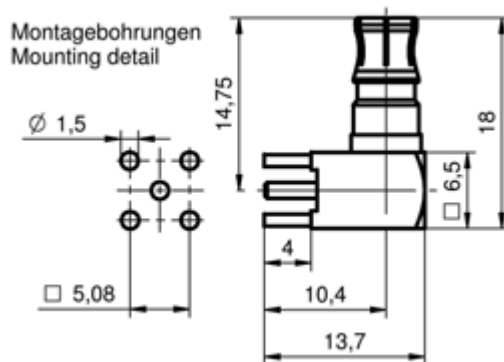
Part Number 3909.QLS.2520.003

Plating 1 = Au
3 = NiP + Au
5 = Whitebronze

Drawing [Download PDF](#)

[RF product finder](#)
[Sales contact](#)

Montagebohrungen
Mounting detail



Qty.

Shipping date

Add to quote request form



SnapN RF coaxial connector



RoHS compliance at IMS Connector Systems

Product style (1 found)


Ohm Part Number

QLS®

[PCB mount angle jack](#)

50

[3909.QLS.2520.003](#)

 available ex stock

[Search](#) | [Imprint](#) | [Legal & Privacy](#) | [Site i](#)