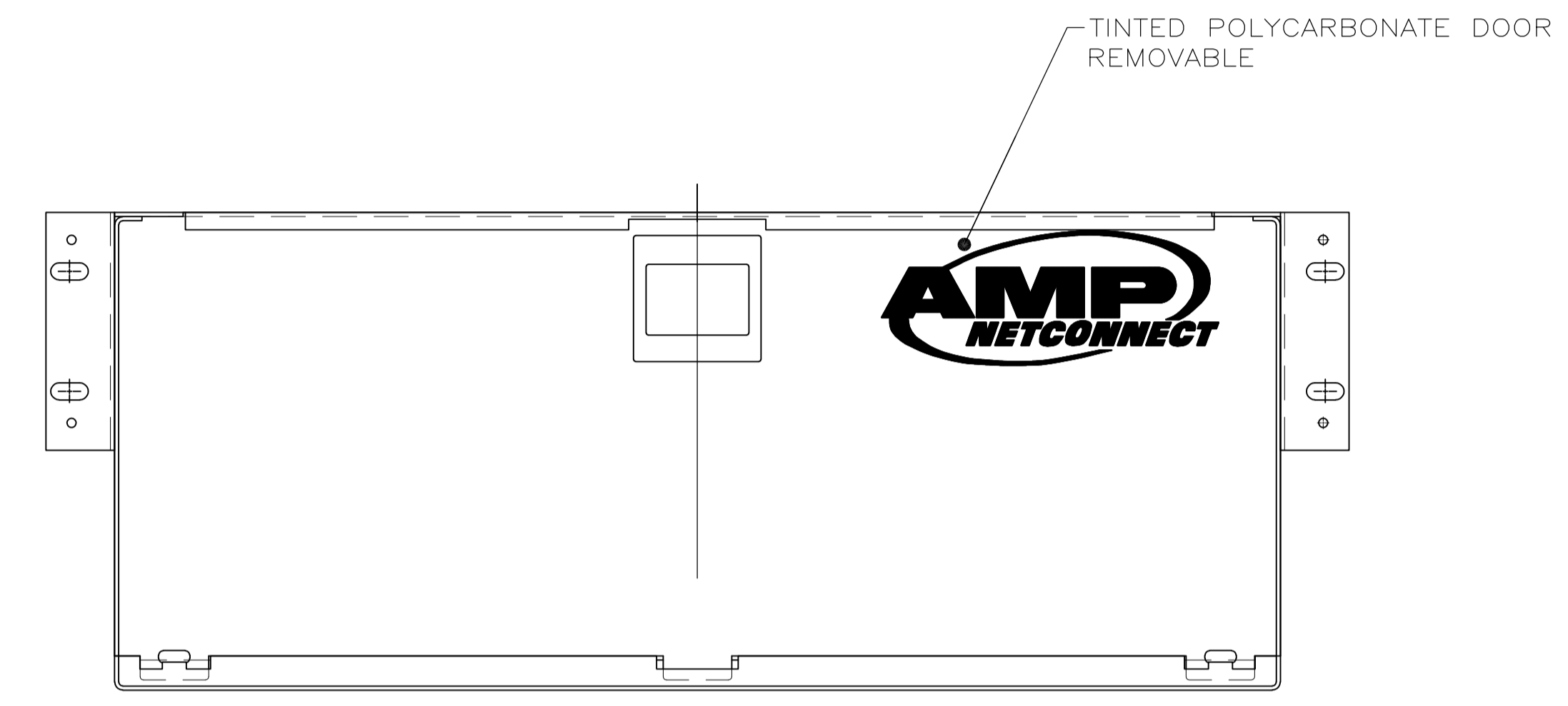
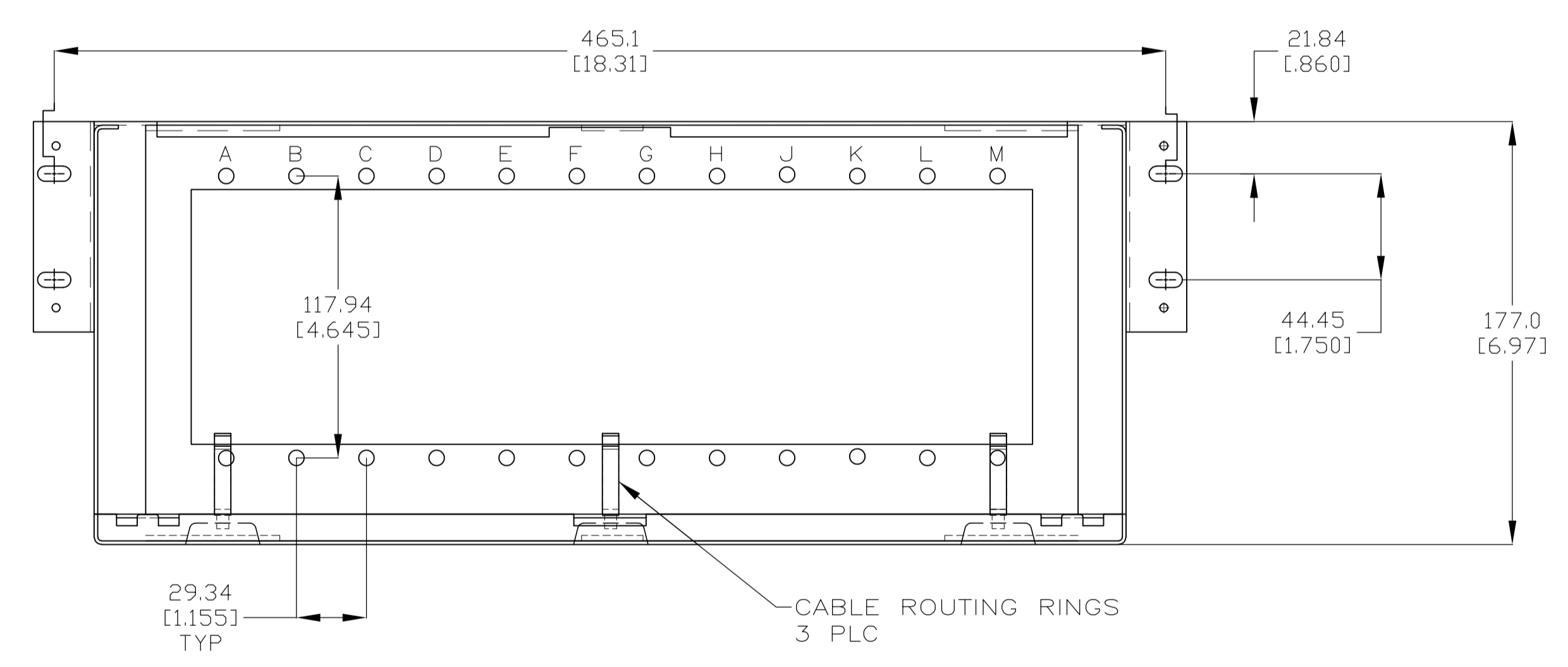


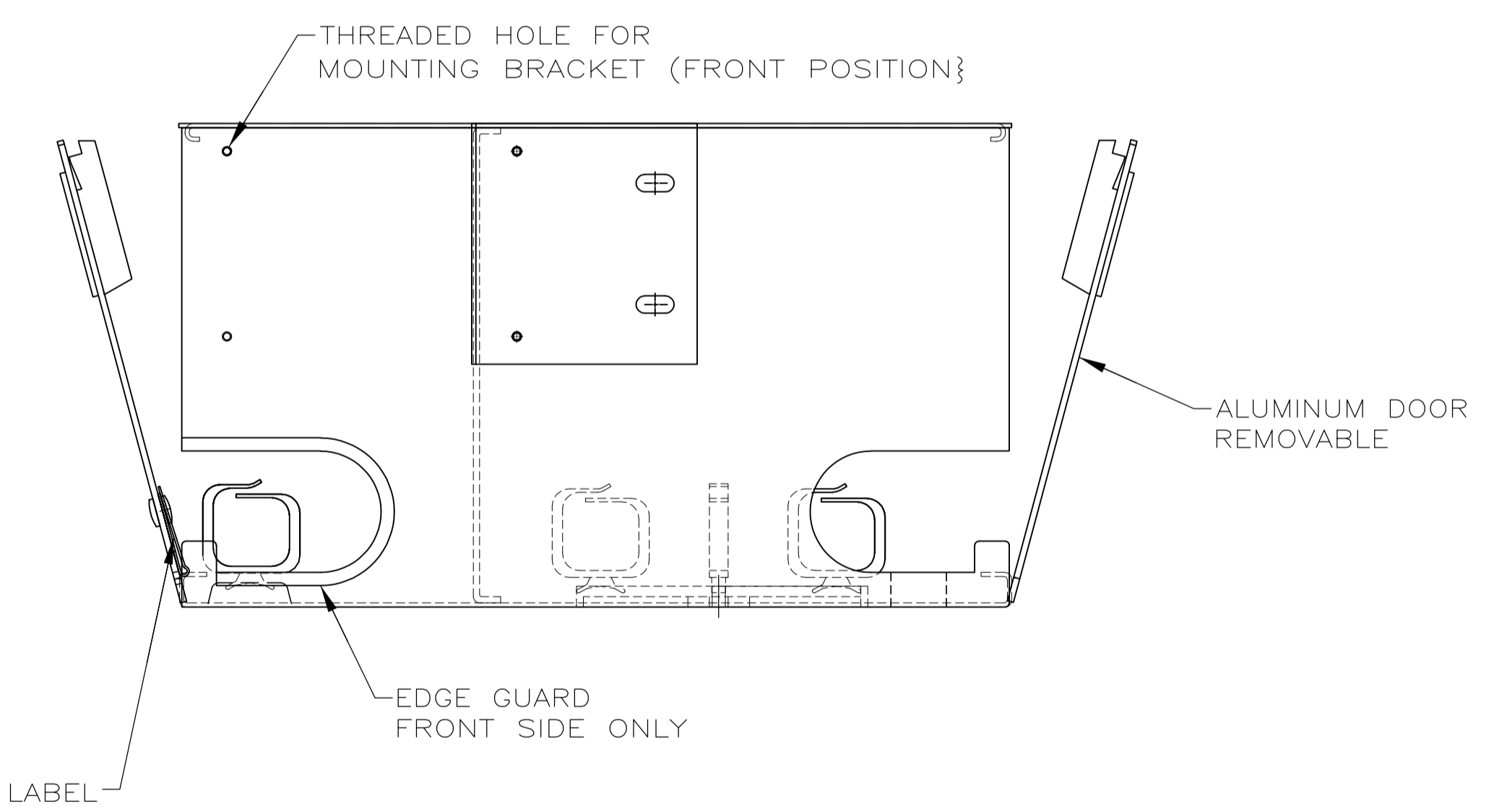
TOP PLATE NOT SHOWN IN THIS VIEW



FRONT VIEW WITH DOOR



FRONT DOOR NOT SHOWN IN THIS VIEW



- THE FOLLOWING LABELS ARE BAGGED AND PLACED IN THE ENCLOSURE
  - M THRU A ADHESIVE BACKED LABEL
  - WARNING LABELS
- FOUR (4) #12-24UNC-2A SCREWS ARE PROVIDED IN BAG INSIDE THE ENCLOSURE
- ENCLOSURE IS PROVIDED FOR 19" RACK MOUNTING BY REPOSITIONING MOUNTING BRACKETS IT CAN BE MOUNTED INTO A 23" RACK

SUPERSEDED BY 559552-2 AND (1) DF 1435161-2	BLACK	559552-4
SUPERSEDED BY 559552-1 AND (1) DF 1435161-1	LT ALMOND	559552-3
	BLACK	559552-2
	LT ALMOND	559552-1
	COLOR	PART NUMBER

THIS DRAWING IS A CONTROLLED DOCUMENT.		DIN WJ SOURBEER 12DEC00	TE Connectivity	
DIMENSIONS: 1/16"		TOLERANCES UNLESS OTHERWISE SPECIFIED:	ENCLOSURE, 72 PORT DISTRIBUTION PATCH PANEL, RACK MOUNTED	
0 PLC ± -		1 PLC ± -	APVD J HOFFER	
1 PLC ± -		2 PLC ± 0.8(0.30)	NAME J HOFFER	
2 PLC ± 0.8(0.30)		3 PLC ± 0.25(0.10)	PRODUCT SPEC	
3 PLC ± 0.25(0.10)		4 PLC ± -	APPLICATION SPEC	
4 PLC ± -		ANGLES ± -	SIZE A1	
MATERIAL		FINISH	WEIGHT	RESTRICTED TO
CUSTOMER DRAWING		SCALE 1:2	SHEET 1 OF 1	REV G1