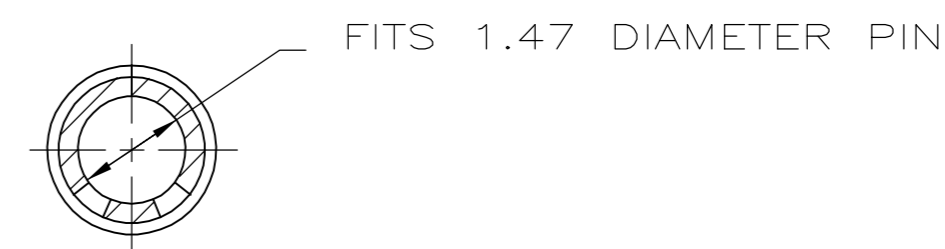
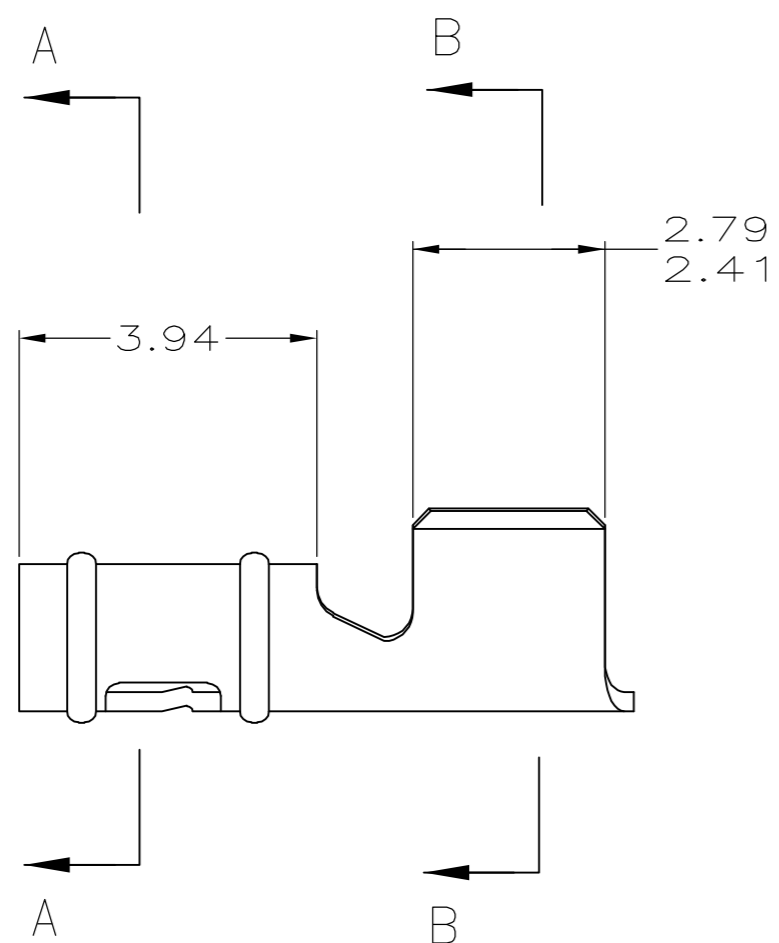
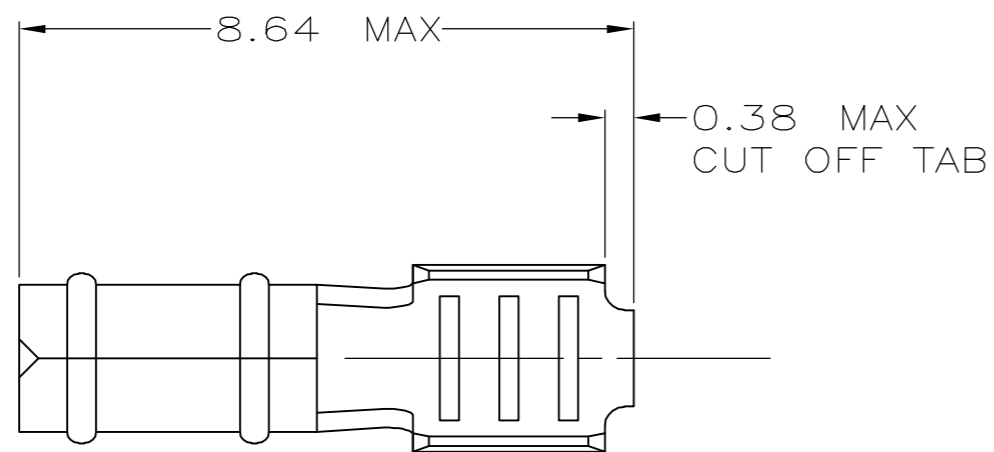


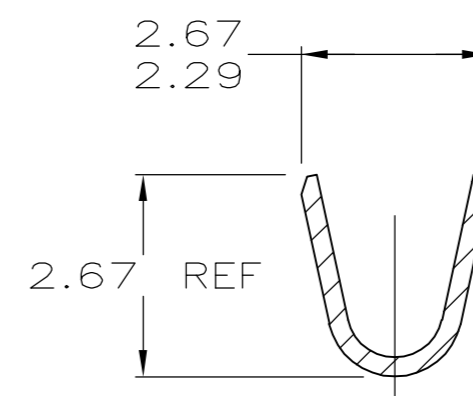
THIS DRAWING IS UNPUBLISHED. RELEASED FOR PUBLICATION
 © COPYRIGHT BY TYCO ELECTRONICS CORPORATION. ALL RIGHTS RESERVED.

LOC	DIST	REVISIONS			
P	LTR	DESCRIPTION	DATE	DWN	APVD
CM	0	E	REV PER ECO-07-004858	02MAR07	KW DB

- 1. 0.00203 MIN MATTE TIN PLATING OVER ALL.
- 2. WIRE RANGE: 0.3 - 1 MM² (22 - 17 AWG)



SECTION A-A

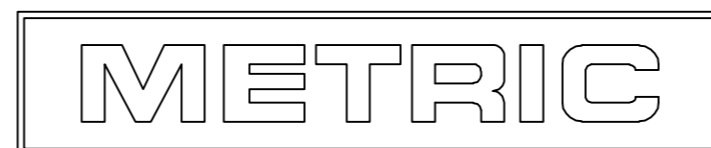


SECTION B-B

Δ	0.25 BE CU	640024-1
FINISH	MATERIAL	PART NUMBER

0.38	.015	2.67	.105	-	-
0.25	.010	2.41	.095	8.64	.340
0.13	.005	2.29	.090	3.94	.155
0.00203	.000080	1.47	.058	2.79	.110
MM	IN	MM	IN	MM	IN

CONVERSION TABLE



THIS DRAWING IS A CONTROLLED DOCUMENT.		DWN T. BECK 6-10-97	Tyco Electronics Corporation Harrisburg, PA 17105-3608		
DIMENSIONS: mm		CHK R. SWING 6-10-97			
TOLERANCES UNLESS OTHERWISE SPECIFIED:		APVD A. BEDDICK 6-17-97	NAME RECEPTACLE, .058 DIAMETER, 22-17 AWG, LOOSE PIECE, P.C. CONTACT		
0 PLC ± - 1 PLC ± - 2 PLC ± 0.13 3 PLC ± - 4 PLC ± - ANGLES ± -		PRODUCT SPEC 108-1025	SIZE A2	CAGE CODE 00779	DRAWING NO C=640024
MATERIAL SEE TABLE		FINISH SEE TABLE	WEIGHT -	RESTRICTED TO -	SCALE 10:1
CUSTOMER DRAWING			SHEET 1 of 1	REV E	