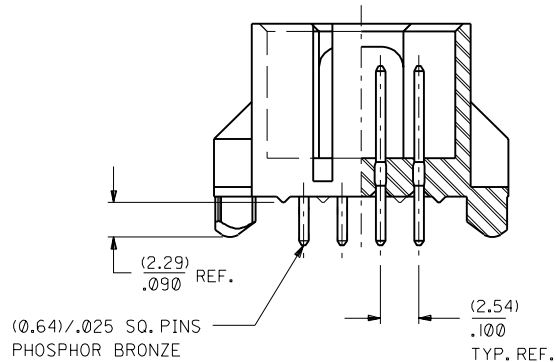
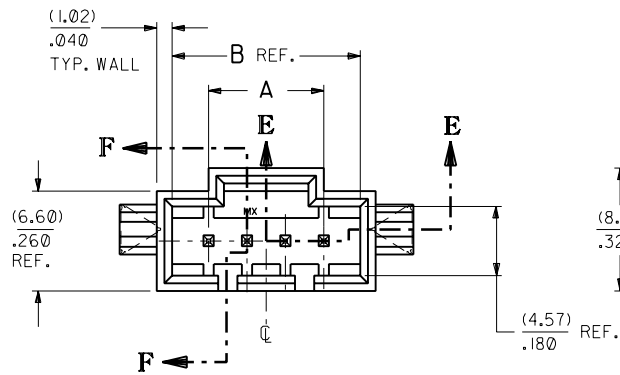
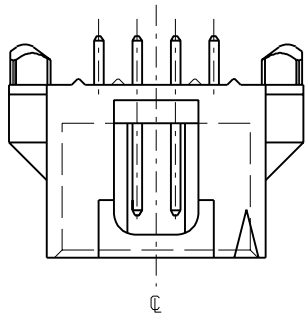
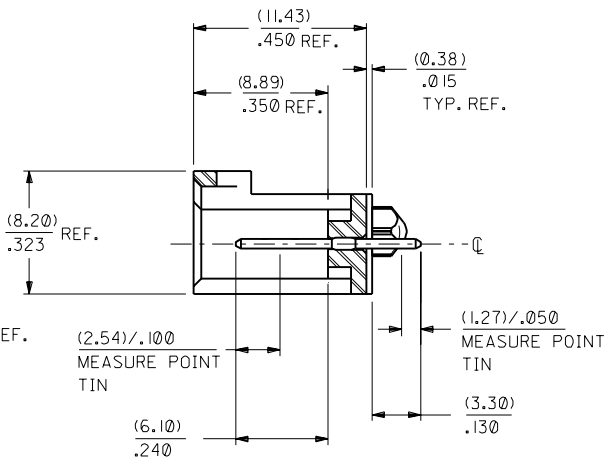


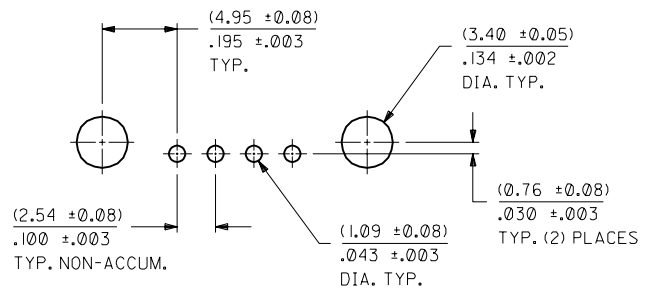
OPTION "E"



SECTION E-E



SECTION F-F



RECOMMENDED P.C. BOARD LAYOUT
(FOR USE WITH (1.57) / .062 THICK BOARD)

NOTES

- 1) MATERIAL: G.F. THERMOPLASTIC, 94V-0, COLOR-BLACK.
- 2) HEADER TO BE USED WITH NO. 70004 INTERIM CLIP, VERSION "A".
- 3) REFER TO PRODUCT SPEC: P.S.-70541.
- 4) STANDARD PACKAGING PER PK-70873-0016. OPTIONAL PACKAGING MAY BE AVAILABLE. (SEE DRAWING PK-70565-**** FOR ORDER NUMBERS)

PLATING PER E.S.-88-***

- 164-.000150 MIN. TIN/LEAD PLATE OVER .000050 MIN. NICKEL PLATE OVER-ALL.
- 571-.000015 MIN. GOLD IN SELECT AREA .000075 MIN. TIN/LEAD IN SELECT AREA .000050 MIN. NICKEL PLATE OVER-ALL.
- 574-.000030 MIN. GOLD IN SELECT AREA .000075 MIN. TIN/LEAD IN SELECT AREA .000050 MIN. NICKEL PLATE OVER-ALL.

A	2	A
A	1	A
MFG. SH.	REV.	

CKT. SIZE	"A"		"B" REF.	
	MM	IN.	MM	IN.
4	7.62	.300	12.45	.490
5	10.16	.400	14.99	.590
6	12.70	.500	17.53	.690
7	15.24	.600	20.07	.790
8	17.78	.700	22.61	.890
9	20.32	.800	25.15	.990
10	22.86	.900	27.69	1.090
11	25.40	1.000	30.23	1.190
12	27.94	1.100	32.77	1.290
13	30.48	1.200	35.31	1.390
14	33.02	1.300	37.85	1.490
15	35.56	1.400	40.39	1.590
16	38.10	1.500	42.93	1.690
17	40.64	1.600	45.47	1.790
18	43.18	1.700	48.01	1.890
19	45.72	1.800	50.55	1.990
20	48.26	1.900	53.09	2.090
21	50.80	2.000	55.63	2.190
22	53.34	2.100	58.17	2.290
23	55.88	2.200	60.71	2.390
24	58.42	2.300	63.25	2.490
25	60.96	2.400	65.79	2.590

DIMENSIONS SHOWN (METRIC) INCH
UNLESS OTHERWISE SPECIFIED
TOLERANCES: ANGULAR ± 1/2°

PLACES	INCH	METRIC
3 PLACE	± .010	---
2 PLACE	± .014	± 0.25
1 PLACE	---	± 0.35

DRAFT WHERE APPLICABLE MUST REMAIN WITHIN DIMENSIONS

APPROVED BY: WAZ SCALE: 4 : 1

DATE: 5/13/93

FILE NAME: S70565X1.DWG

THIS DRAWING CONTAINS INFORMATION THAT IS PROPRIETARY TO MOLEX INC. AND SHOULD NOT BE USED WITHOUT WRITTEN PERMISSION.

REVISIONS: A

RELEASED U30638 5/13/93 MGB

SALES ASSEMBLY HEADER - STRAIGHT MOUNT .100 CENTERS W/P.C.B. PEGS

MOLEX INCORPORATED U.S.A.

SEE CHART SDA-70565-****

DATE: 10/5/13/93

SIZE: DA

	13	12	11	10	9	8	7	6	5	4	3	2	1
	ENGINEERING NUMBER A-70565-	MANUFACTURE RELEASE STATUS						PLATE PER E.S. (88)		CONNECTOR END PLATING	P.C. BOARD END PLATING		
										TYPE	H MEAS.	TYPE	K MEAS.
J	-0003-0024	R.F.M.						164		TIN/LEAD	(2.54) .100	TIN/LEAD	(1.27) .050
	-0038-0059	R.F.M.						571		GOLD	(2.54) .100	TIN/LEAD	(1.27) .050
I	-0073-0094	R.F.M.						574		GOLD	(2.54) .100	TIN/LEAD	(1.27) .050
	-0108-0129												
H													

G	CKTS	EDP NUMBER	ENG NUMBER	EDP NUMBER	ENG NUMBER	EDP NUMBER	ENG NUMBER	EDP NUMBER	ENG NUMBER	EDP NUMBER	ENG NUMBER	EDP NUMBER	ENG NUMBER	EDP NUMBER	ENG NUMBER	CKTS
	02	N.A.	N.A.	N.A.	N.A.	N.A.	N.A.	N.A.	N.A.							02
	03	N.A.	N.A.	N.A.	N.A.	N.A.	N.A.	N.A.	N.A.							03
	04	705-65-0003	A-70565-0003	705-65-0038	A-70565-0038	705-65-0073	A-70565-0073									04
	05	705-65-0004	A-70565-0004	705-65-0039	A-70565-0039	705-65-0074	A-70565-0074									05
	06	705-65-0005	A-70565-0005	705-65-0040	A-70565-0040	705-65-0075	A-70565-0075									06
F	07	705-65-0006	A-70565-0006	705-65-0041	A-70565-0041	705-65-0076	A-70565-0076									07
	08	705-65-0007	A-70565-0007	705-65-0042	A-70565-0042	705-65-0077	A-70565-0077									08
	09	705-65-0008	A-70565-0008	705-65-0043	A-70565-0043	705-65-0078	A-70565-0078									09
	10	705-65-0009	A-70565-0009	705-65-0044	A-70565-0044	705-65-0079	A-70565-0079									10
	11	705-65-0010	A-70565-0010	705-65-0045	A-70565-0045	705-65-0080	A-70565-0080									11
	12	705-65-0011	A-70565-0011	705-65-0046	A-70565-0046	705-65-0081	A-70565-0081									12
E	13	705-65-0012	A-70565-0012	705-65-0047	A-70565-0047	705-65-0082	A-70565-0082									13
	14	705-65-0013	A-70565-0013	705-65-0048	A-70565-0048	705-65-0083	A-70565-0083									14
	15	705-65-0014	A-70565-0014	705-65-0049	A-70565-0049	705-65-0084	A-70565-0084									15
	16	705-65-0015	A-70565-0015	705-65-0050	A-70565-0050	705-65-0085	A-70565-0085									16
	17	705-65-0016	A-70565-0016	705-65-0051	A-70565-0051	705-65-0086	A-70565-0086									17
	18	705-65-0017	A-70565-0017	705-65-0052	A-70565-0052	705-65-0087	A-70565-0087									18
	19	705-65-0018	A-70565-0018	705-65-0053	A-70565-0053	705-65-0088	A-70565-0088									19
D	20	705-65-0019	A-70565-0019	705-65-0054	A-70565-0054	705-65-0089	A-70565-0089									20
	21	705-65-0020	A-70565-0020	705-65-0055	A-70565-0055	705-65-0090	A-70565-0090									21
	22	705-65-0021	A-70565-0021	705-65-0056	A-70565-0056	705-65-0091	A-70565-0091									22
	23	705-65-0022	A-70565-0022	705-65-0057	A-70565-0057	705-65-0092	A-70565-0092									23
	24	705-65-0023	A-70565-0023	705-65-0058	A-70565-0058	705-65-0093	A-70565-0093									24
	25	705-65-0024	A-70565-0024	705-65-0059	A-70565-0059	705-65-0094	A-70565-0094									25

C														C
B														B

DIMENSIONS SHOWN (METRIC) INCH UNLESS OTHERWISE SPECIFIED TOLERANCES ANGULAR ± 1/2°										▽ = 0 ▼ = 0 REVISE ONLY ON CAD SYSTEM																					
<table border="1"> <tr> <td>3 PLACE</td> <td>±</td> <td>---</td> <td>---</td> </tr> <tr> <td>2 PLACE</td> <td>±</td> <td>---</td> <td>---</td> </tr> <tr> <td>1 PLACE</td> <td>---</td> <td>±</td> <td>---</td> </tr> </table>										3 PLACE	±	---	---	2 PLACE	±	---	---	1 PLACE	---	±	---	<table border="1"> <tr> <td>INCH</td> <td>METRIC</td> </tr> <tr> <td>---</td> <td>---</td> </tr> <tr> <td>---</td> <td>---</td> </tr> <tr> <td>---</td> <td>---</td> </tr> </table>		INCH	METRIC	---	---	---	---	---	---
3 PLACE	±	---	---																												
2 PLACE	±	---	---																												
1 PLACE	---	±	---																												
INCH	METRIC																														
---	---																														
---	---																														
---	---																														
DRAWING INFORMATION										<table border="1"> <tr> <td>FILE NAME</td> <td>SD0565X2</td> <td>DRWG. NO.</td> <td>SDA-70565-***</td> </tr> <tr> <td>APP'D. BY</td> <td>WAZ</td> <td>DATE</td> <td>05/13/93</td> </tr> <tr> <td>SCALE</td> <td>:</td> <td>DIV.</td> <td>DA</td> </tr> </table>		FILE NAME	SD0565X2	DRWG. NO.	SDA-70565-***	APP'D. BY	WAZ	DATE	05/13/93	SCALE	:	DIV.	DA								
FILE NAME	SD0565X2	DRWG. NO.	SDA-70565-***																												
APP'D. BY	WAZ	DATE	05/13/93																												
SCALE	:	DIV.	DA																												
<table border="1"> <tr> <td>DRWG. BY</td> <td>AAB</td> <td>CHK'D. BY</td> <td>AAB</td> </tr> <tr> <td>REVISIONS</td> <td>LTR.</td> <td>REVISIONS</td> <td>LTR.</td> </tr> </table>										DRWG. BY	AAB	CHK'D. BY	AAB	REVISIONS	LTR.	REVISIONS	LTR.	<table border="1"> <tr> <td>SEE SHEET 1</td> <td>SEE CHART</td> </tr> </table>		SEE SHEET 1	SEE CHART										
DRWG. BY	AAB	CHK'D. BY	AAB																												
REVISIONS	LTR.	REVISIONS	LTR.																												
SEE SHEET 1	SEE CHART																														
THIS DRAWING CONTAINS INFORMATION THAT IS PROPRIETARY TO MOLEX INC. AND SHOULD NOT BE USED WITHOUT WRITTEN PERMISSION.										<table border="1"> <tr> <td>SIZE</td> <td>DA</td> </tr> </table>		SIZE	DA																		
SIZE	DA																														

	13	12	11	10	9	8	7	6	5	4	3	2	1
--	----	----	----	----	---	---	---	---	---	---	---	---	---