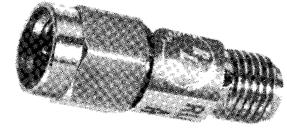


Broadband Miniature Attenuators



RLC Electronics' Broadband Miniature Attenuators offer precision impedance matching and bi-directional handling over the extremely broad frequency of DC to 18 GHz. They are also available in the reduced frequency ranges of DC to 12.4 GHz, DC to 8 GHz and DC to 1.5GHz. These miniature microwave structures

are uniquely constructed resistive film elements combined with precision connectors meeting the full requirements of MIL-C-39012. Units can be supplied in standard attenuation values as listed or other values for specific requirements. Three combinations of connectors are available in the standard models.

Specifications

A-1-2-3-4

Model Number	Frequency Range (GHz)	Attenuation Value (dB)	Accuracy (\pm dB)	VSWR (Max)
A-1	DC-1.5	1 Thru 6	.3	1.20
A-1		7 Thru 20	.5	1.20
A-1		21 Thru 30	.8	1.20
A-8	DC-8	1 Thru 6	.3	1.25
A-8		7 Thru 20	.5	1.25
A-8		21 Thru 30	.8	1.25
A-12	DC-12.4	1 Thru 6	.3	1.35
A-12		7 Thru 20	.5	1.35
A-12		21 Thru 30	.8	1.35
A-18	DC-18	1 Thru 6	.3	1.35
A-18		7 Thru 20	.5	1.35
A-18		21 Thru 30	1.0	1.35

Power Rating: 2 watts avg @ 25° C
Derated linearly to 0.5 watts @ 125° C

Impedance: 50 Ohms

Connectors: SMA male or female, N male or female

Weight: 0.4 oz for SMA, 2 oz for Type N

Material: Stainless Steel

Environment: MIL-A-3933

To designate attenuator desired use:

- (1) 1, 8, 12, 18 for 1.5, 8.0, 12.4 and 18.0 GHz
(2) 3, 6, etc for attenuation value

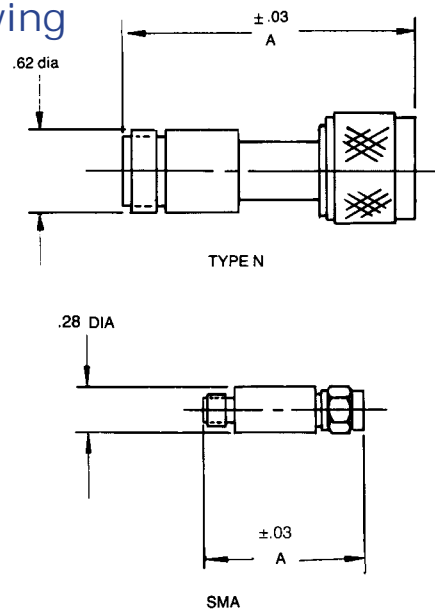
- (3) "R" for SMA, "N" for Type N: Male and Female is standard
(4) F for 2 female connectors M for 2 male connectors

Example: A-18-20-R is a DC-18 GHz, 20 dB attenuator with SMA male and female connectors

Outline Drawing

Model No.	A dimension					
	R	RM	RF	N	NM	NF
A-1-thru A-12-	.86	.98	.92	1.77	1.70	1.86
A-13-thru A-30-	.98	1.12	1.05	1.77	1.70	1.86

Tolerances unless otherwise specified are: .xx \pm .02; .xxx, \pm .005.



RLC ELECTRONICS, INC.

83 Radio Circle, Mount Kisco, New York 10549 • Telephone: 914-241-1334 • Fax: 914-241-1753
e-mail: sales@rlcelectronics.com • www.rlcelectronics.com