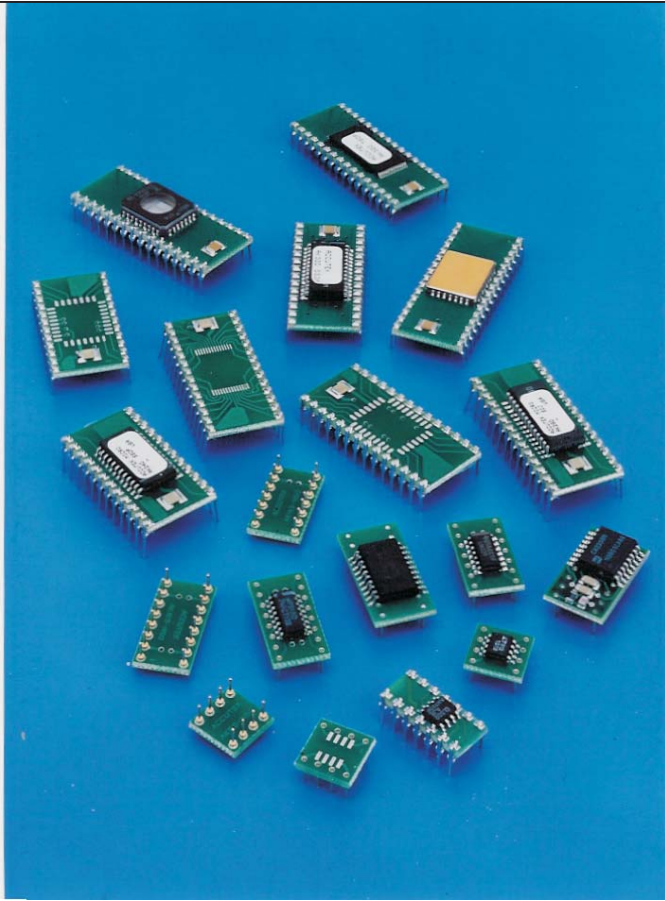


80 Pin to 100 Pin DIP Adapters

DIP ADAPTER MODULES ELIMINATE THE NEED TO REDESIGN MOTHERBOARDS OR MAY BE USED FOR BREADBOARD PROTOTYPING



This new family of Accutek DIP Adapter Modules converts surface mount IC's to pin compatible DIP packages for creating drop-in replacements for end-of-life DIP IC's. Package types supported are: SOJ, PLCC, SOIC, SOP, TSOP, QSOP, HSOP, MSOP, LLP (Leadless Leadframe Package), CSP (Chip Scale Package) and CLCC.

These DIP Adapters were developed for users with motherboard designs that require DIP's, now obsolete by manufacturers. These adapter modules save costly motherboard redesigns.

Available with machined or flat contact pins. Accutek DIP Adapter Modules feature 4 to 84 pins, are fully assembled and tested and may include a decoupling capacitor. These DIP Adapters can be manufactured turnkey or from customer supplied surface mount chips. Modules range in length from 0.200" to 4.200" depending on number of pins and incorporate 0.300", 0.400", 0.600", 0.900", 1.200" and 1.400" row-to-row spacing with 0.100" lead spacing.

Custom configurations up to 200 pins, multi-chip and double sided modules are also available for special functions. A variety of pin lengths with varying diameters as well as custom sizes and spacing can be specified with different materials and finishes. All modules are designed in-house using PCB CAD workstations. Automated assembly and 100% testing are also performed in-house.

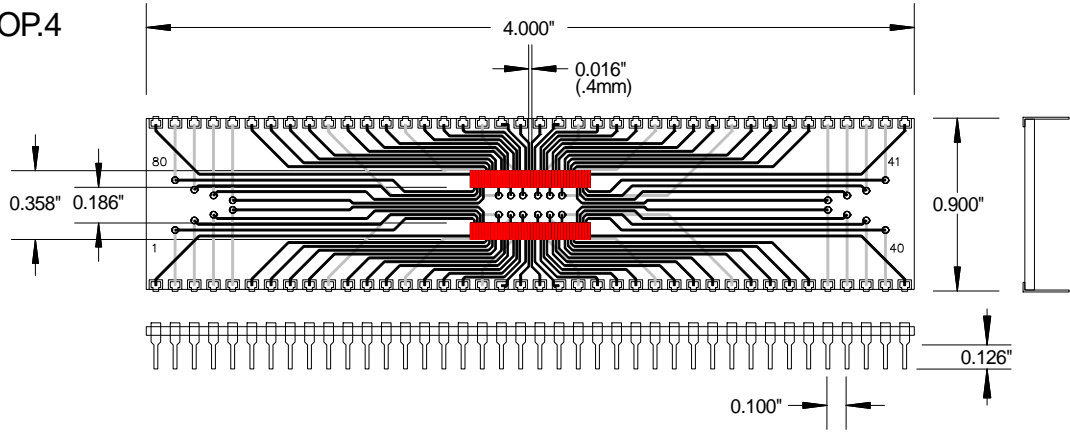
FEATURES

- Saves costly redesign of current motherboards
- Fully tested with lifetime limited warranty
- May include an on board decoupling capacitor
- IC assembly and testing available
- EPROM and Flash programming available
- Custom lead lengths available
- Custom multi-chip and double-sided modules available

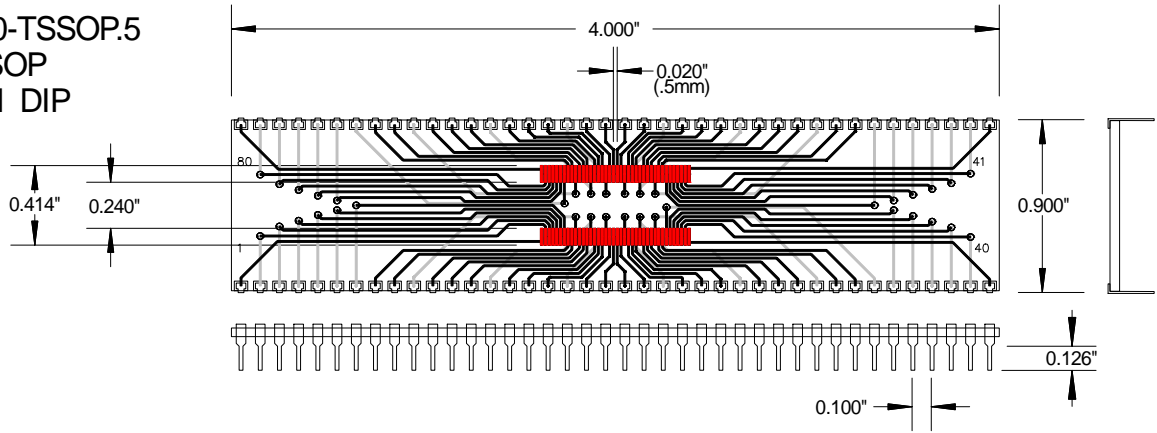
ORDERING OPTIONS

- Adapter only
- Customer supplies chips - Accutek assembles on Accutek adapters, tests and delivers finished product in antistatic tubes.
- Complete turnkey - Accutek purchases IC's and passives. Then assembles, tests and delivers finished product in antistatic tubes.

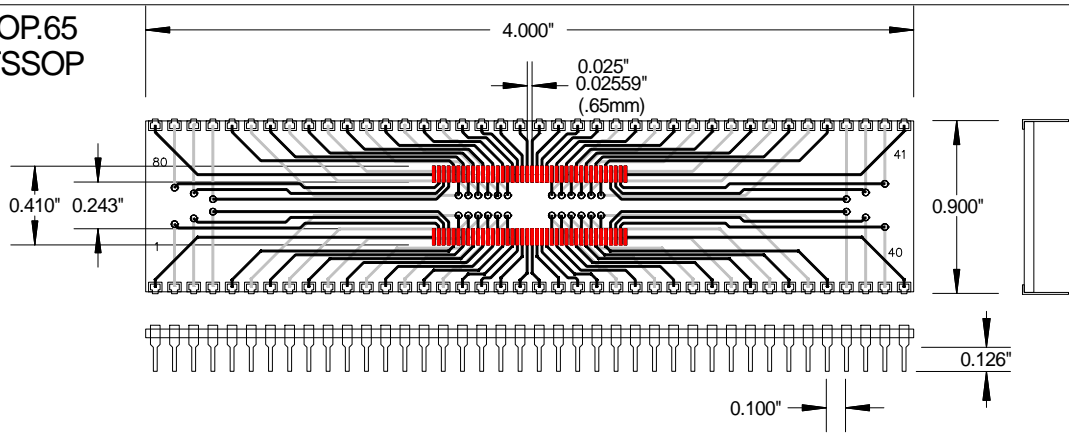
AK80D900-TSSOP.4
.4MM TSSOP
TO 80 PIN DIP



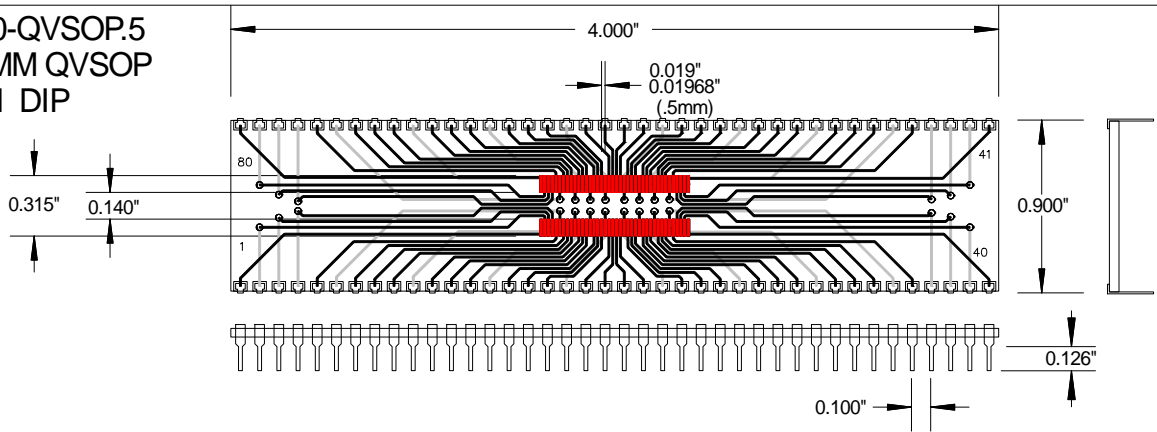
AK80D900-TSSOP.5
.5MM TSSOP
TO 80 PIN DIP



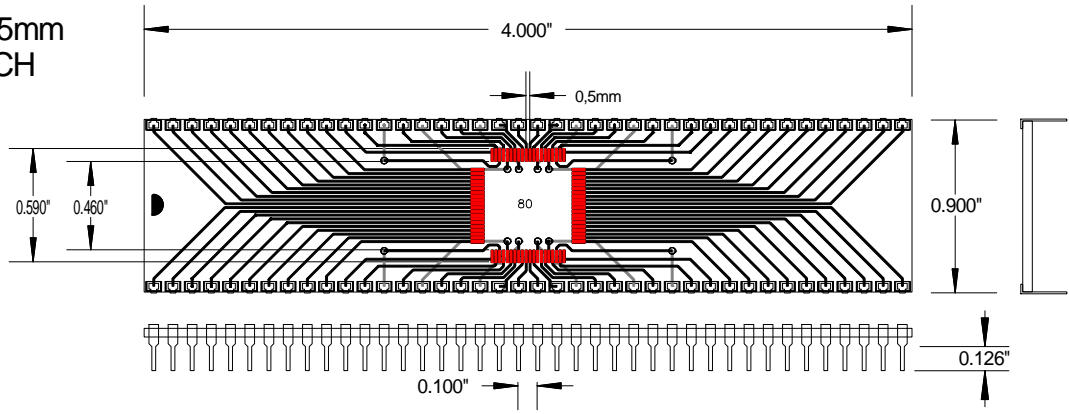
AK80D900-TSSOP.65
80 PIN .65MM TSSOP
TO 80 PIN DIP



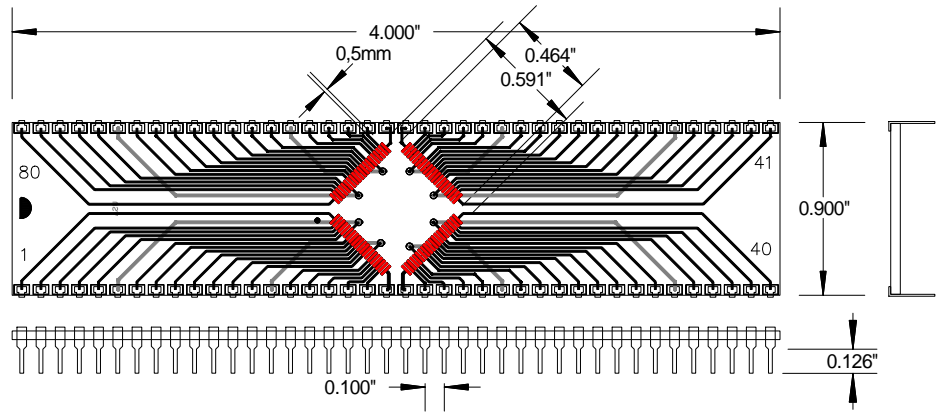
AK80D900-QVSOP.5
80 PIN .5MM QVSOP
TO 80 PIN DIP



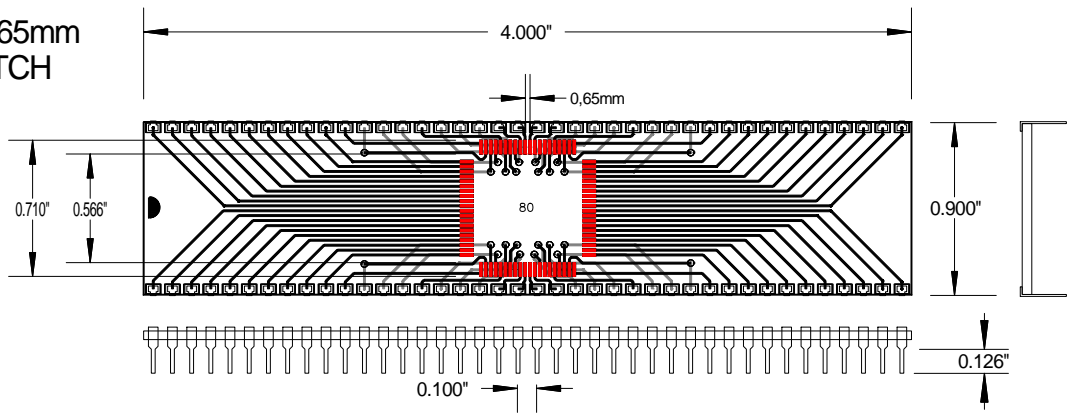
AK80D900-QFP.5mm
 QFP 0.5mm PITCH
 TO 80 PIN DIP



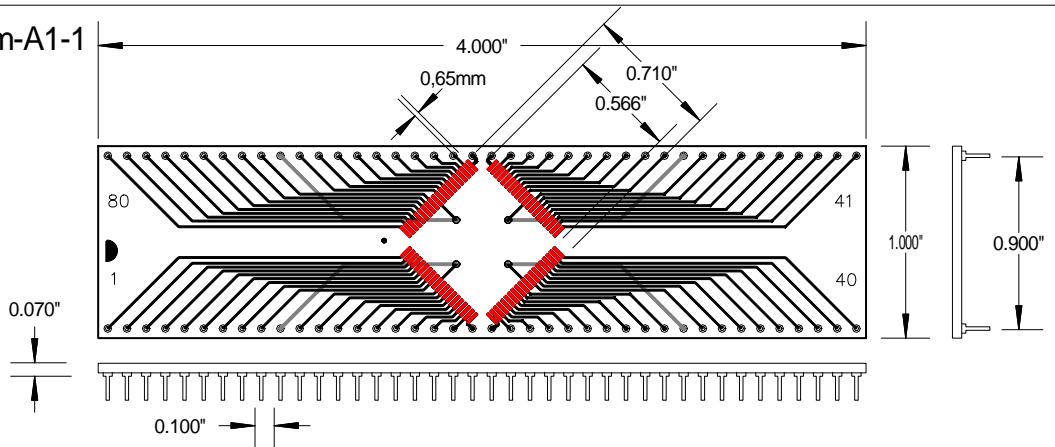
AK80D900-QFP.5mm-A1-1
 QFP 0.5mm PITCH
 TO 80 PIN DIP



AK80D900-QFP.65mm
 QFP 0.65mm PITCH
 TO 80 PIN DIP

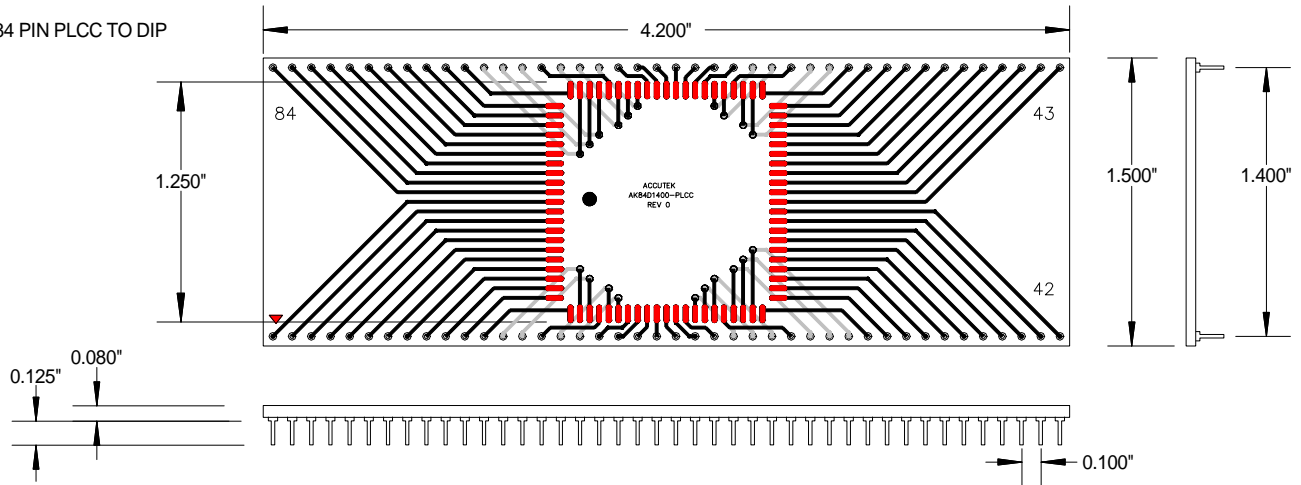


AK80D900-QFP.65mm-A1-1
 QFP 0.65mm PITCH
 TO 80 PIN DIP



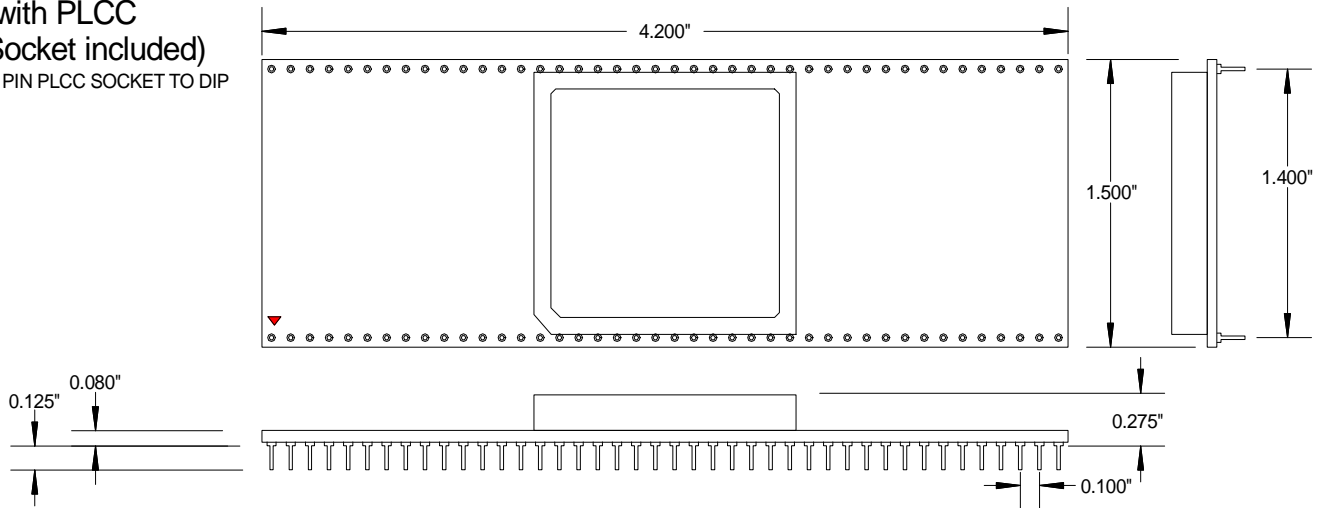
AK84D1400-PLCC

84 PIN PLCC TO DIP



AK84DS1400-PLCC

(with PLCC Socket included)
84 PIN PLCC SOCKET TO DIP



AK100D900-100QFP .5mm 14x14 100 PIN QFP 0.5mm PITCH TO 100 PIN DIP

AK100D900-100QFP.5-14x14

