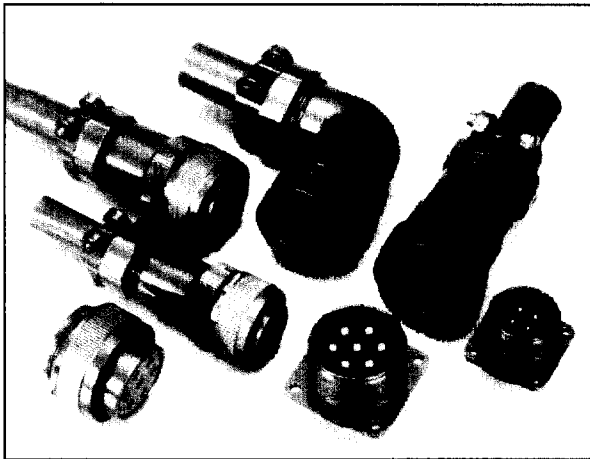


# JL04V SERIES CONNECTORS

## Waterproof, Wire Soldering Type, Circular Connectors



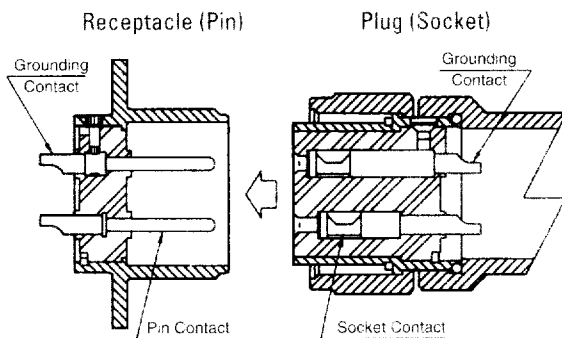
### FEATURES

- Certified by European safety standards and UL standards

Certification Organization	Standards
TÜV	DIN VDE 0627
UL	UL-498 (E67741)



- First-to-make, last-to-break grounding contacts incorporated that connect with metallic shell to create protective earth circuit



- IP67 class waterproof and dust-proof structure when mated
- Right angle, straight and straight without endbell (for use with conduit) plug types available
- Various contact arrangements
- Intermatable with MS connectors (Please consult JAE for details.)

.....

JL04V Series are highly reliable circular connectors (wire soldering type) approved by TÜV as connectors satisfying European safety standards and by United States UL standards. They feature IP67 class water and dust proof (in the mated condition) structure, and a protective earth circuit with first-to-make, last-to-break grounding contacts. They are ideal for use in machine tools, servomotors, robots, and other industrial machines.

### GENERAL SPECIFICATIONS

Number of Contacts	3, 4, 6, 7, 8, 9, 22 (See Note 1)			
Current Rating (Per contact)	Contact Size	Current Rating		
	#4	80 Amps max.		
	#8	46 Amps max.		
	#12	23 Amps max.		
	#16	13 Amps max.		
Rated Voltage	Refer to page xxx-xxx.			
Dielectric Withstanding Voltage	2,000 VAC r.m.s. (for one minute)			
Insulation Resistance	1,000 megohms min. (5,000 megohms min. for 28-11)			
Contact Resistance (Steady level initial)	Contact Size	Applicable Wire AWG No.	Test Current Amperes	Contact Resistance milliohms max.
	#4	#4	80	1
		#6	60	1
		#8	46	1
	#8	#10	46	2
		#12	33	2
	#12	#12	23	2
		#14	17	3
		#16	13	4
	#16	#16	13	4
#18		10	7	
#20		7.5	8	
#22		5	15	
#24		3	15	
Operating Temperature	-55°C to +125°C			
Applicable Wire Size and Cross Section	#4	2.2mm <sup>2</sup> max.		
	#8	5.5mm <sup>2</sup> max.		
	#12	3.5mm <sup>2</sup> max.		
	#16	1.25mm <sup>2</sup> max. (0.5mm <sup>2</sup> max. for 2E10SL-3P)		
Waterproof (mated condition)	IP67 Class			
Air Tightness (Receptacle)	2.9 x 10 <sup>4</sup> Pa (0.3 kg/cm <sup>2</sup> ), one minute			
Durability	500 Cycles			

Note 1: See page xxx-xxx for detailed availability.

### MATERIALS AND FINISHES

Description	Materials/Finishes
Shell	Aluminum Alloy/Zinc plating (Black)
Insulator	Synthetic Resin/Black (See Note)
Contact	Copper Alloy/Silver plating
Gasket	Synthetic Rubber
Retaining Ring	Copper Alloy/Zinc plating (OD chromate)
Endbell Fixing Screw	Steel/Zinc plating
Grounding Pin/Screw (Screw: 24-10 (G) only)	Copper Alloy/Nickel plating

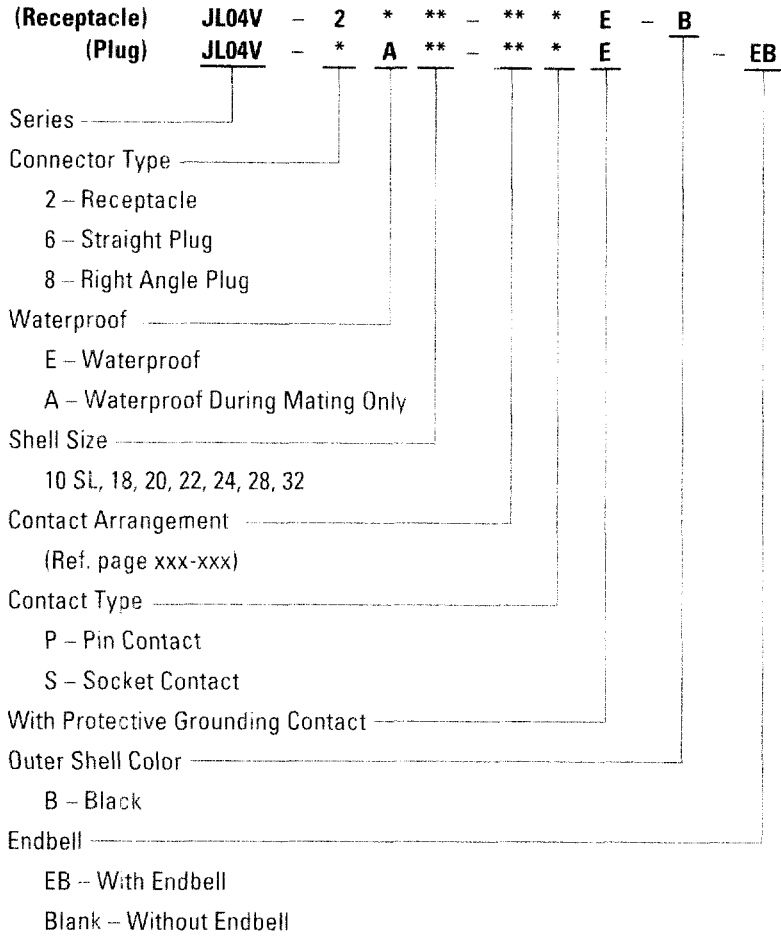
Note: Front part of receptacle is silicone rubber.  
Synthetic resin for contact arrangement 28-11 only.

Dimensions and specifications subject to change without notice.

# JL04V SERIES CONNECTORS

**Waterproof, Wire Soldering Type, Circular Connectors**

## ORDERING INFORMATION



Dimensions and specifications subject to change without notice

# JL04V SERIES CONNECTORS

**Waterproof, Wire Soldering Type, Circular Connectors**

## PART NUMBERS

Contact Arrangement	Receptacle (Pin Insert)	Plug (Socket Insert)		Cable Clamp TUV Certified
	TUV Certified	Type	TUV Certified	
10SL-3	JL04V-2E10SL-3PE-B	Straight without Endbell	JL04V-6A10SL-3SE	Conduit
		Straight	JL04V-6A10SL-3SE-EB	JL04-1012CK (05)
		Right Angle	JL04V-8A10SL-3SE-EB	or Conduit
18-10	JL04V-2E18-10PE-B	Straight without Endbell	JL04V-6A18-10SE	Conduit
		Straight	JL04V-6A18-10SE-EB	JL04-18CK (13)
		Right Angle	JL04V-8A18-10SE-EB	or Conduit
18-12	JL04V-2E18-12PE-B	Straight without Endbell	JL04V-6A18-12SE	Conduit
		Straight	JL04V-6A18-12SE-EB	JL04-18CK (13)
		Right Angle	JL04V-8A18-12SE-EB	or Conduit
20-4	JL04V-2E20-4PE-B	Straight without Endbell	JL04V-6A20-4SE	Conduit
		Straight	JL04V-6A20-4SE-EB	JL04-2022CK (14)
		Right Angle	JL04V-8A20-4SE-EB	or Conduit
20-15	JL04V-2E20-15PE-B	Straight without Endbell	JL04V-6A20-15SE	Conduit
		Straight	JL04V-6A20-15SE-EB	JL04-2022CK (14)
		Right Angle	JL04V-8A20-15SE-EB	or Conduit
22-22	JL04HV-2E22-22PE-B	Straight without Endbell	JL04V-6A22-22SE	Conduit
		Straight	JL04V-6A22-22SE-EB	JL04-2022CK (14)
		Right Angle	JL04V-8A22-22SE-EB	or Conduit
22-23	JL04V-2E22-23PE-B	Straight without Endbell	JL04V-6A22-23SE	Conduit
		Straight	JL04V-6A22-23SE-EB	JL04-2022CK (14)
		Right Angle	JL04V-8A22-23SE-EB	or Conduit
24-10	JL04V-2E24-10PE-B	Straight without Endbell	JL04V-6A24-10SE	Conduit
		Straight	JL04V-6A24-10SE-EB	JL04-2428CK (17)
		Right Angle	JL04V-8A24-10SE-EB	or Conduit
24-10 (G)	JL04V-2E24-10PE(G)-B	Straight without Endbell	JL04V-6A24-10SE(G)	Conduit
		Straight	JL04V-6A24-10SE(G)-EB	JL04-2428CK (17)
		Right Angle	JL04V-8A24-10SE(G)-EB	or Conduit
24-11	JL04V-2E24-11PE-B	Straight without Endbell	JL04V-6A24-11SE	Conduit
		Straight	JL04V-6A24-11SE-EB	JL04-2428CK (17)
		Right Angle	JL04V-8A24-11SE-EB	or Conduit
28-11 (Note 1)	JL04V-2A28-11 *E	Straight without Endbell	JL04V-6A28-11 *E	Conduit
		Straight	JL04V-6A28-11 *E-EB	JL04-2428CK (17)
		Right Angle	JL04V-8A28-11 *E-EB	or Conduit
32-17	JL04V-2E32-17PE-B	Straight without Endbell	JL04V-6A32-17SE	Conduit


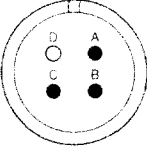
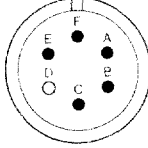
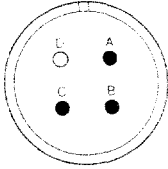
Note 1: Pin and socket inserts are available for both receptacle and plug with contact arrangement 28-11.  
Add contact type code to \*. (P – Pin, S – Socket)

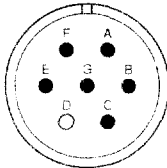
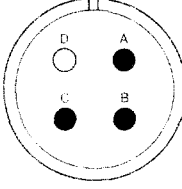
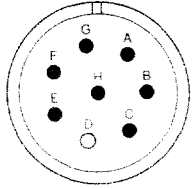
Dimensions in mm (inches).

# JL04V SERIES CONNECTORS

## Waterproof, Wire Soldering Type, Circular Connectors

### CONTACT ARRANGEMENT

Arrangement	10SL-3	18-10	18-12	20-4
Contact Arrangement (View from Pin Insert Mating Side) (Note 2)				
Size x No. of Contact	#16 x 3	#12 x 4	#16 x 6	#12 x 4
Current Rating (Note 1)	13A (34.5A) max.	23A (76.2A) max.	13A (55.6A) max.	23A (76.2A) max.
Rated Voltage	200 VAC rms	250 VAC rms	250 VAC rms	250 VAC rms
D.W.V. (for one minute)	2,000 VAC rms	2,000 VAC rms	2,000 VAC rms	2,000 VAC rms
Applicable Wire (Cross Section)	1.25mm <sup>2</sup> max. (Receptacle/2E: 0.5mm <sup>2</sup> max.)	3.5mm <sup>2</sup> max.	1.25mm <sup>2</sup> max.	3.5mm <sup>2</sup> max.
Grounding Contact	C Contact	D Contact	D Contact	D Contact
TÜV Certification No.	R9451302	R9351091	R9551021	R9551022

Arrangement	20-15	22-22	22-23
Contact Arrangement (View from Pin Insert Mating Side) (Note 2)			
Size x No. of Contact	#12 x 7	#8 x 4	#12 x 8
Current Rating (Note 1)	23A (105.7A) max.	46A (152.5A) max.	23A (110.4A) max.
Rated Voltage	250 VAC rms	250 VAC rms	250 VAC rms
D.W.V. (for one minute)	2,000 VAC rms	2,000 VAC rms	2,000 VAC rms
Applicable Wire (Cross Section)	3.5mm <sup>2</sup> max.	5.5mm <sup>2</sup> max.	3.5mm <sup>2</sup> max.
Grounding Contact	D Contact	D Contact	D Contact
TÜV Certification No.	R9551022	R9351189	R9551327

Note 1: Current Rating for one contact. Total Current Rating is in parenthesis

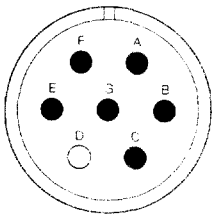
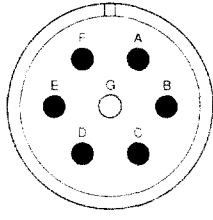
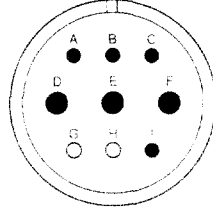
Note 2: in sketch indicates Grounding Contact.

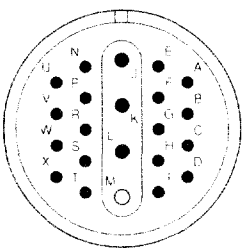
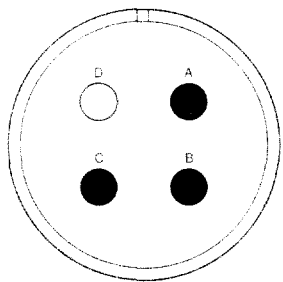
Dimensions in mm (inches).

# JL04V SERIES CONNECTORS

## Waterproof, Wire Soldering Type, Circular Connectors

### CONTACT ARRANGEMENT

Arrangement	24-10	24-10 (G)	24-11
Contact Arrangement (View from Pin Insert Mating Side) (Note 2)			
Size x No. of Contact	#8 x 7	#8 x 7	#8 x 3, #12 x 6
Current Rating (Note 1)	46A (211.5A) max.	46A (211.5A) max.	#8: 46A, #12: 23A (149.8A) max.
Rated Voltage	250 VAC rms	250 VAC rms	250 VAC rms
D.W.V. (for one minute)	2,000 VAC rms	2,000 VAC rms	2,000 VAC rms
Applicable Wire (Cross Section)	5.5mm <sup>2</sup> max.	5.5mm <sup>2</sup> max.	#8: 5.5mm <sup>2</sup> max. #12: 3.5mm <sup>2</sup> max.
Grounding Contact	D Contact	G Contact (Note 3)	G, H Contact (Note 4)
TÜV Certification No.	R9451242	R9451242	R9451243

Arrangement	28-11	32-17
Contact Arrangement (View from Pin Insert Mating Side) (Note 2)		
Size x No. of Contact	#12 x 4, #16 x 18	#4 x 4
Current Rating (Note 1)	#12: 23A, #16: 13A (65.2A) max.	80A (265.2A) max.
Rated Voltage	#12: 250 VAC rms, #16: 100 VAC rms	250 VAC rms
D.W.V. (for one minute)	2,000 VAC rms	2,000 VAC rms
Applicable Wire (Cross Section)	#12: 3.5mm <sup>2</sup> max. #16: 1.25mm <sup>2</sup> max.	22mm <sup>2</sup> max.
Grounding Contact	M Contact	D Contact
TÜV Certification No.	R9451477	R9551023

Note 3: Grounding Contact connects with outer metal shell except for contact arrangement 24-10 (G), 2E Type receptacle.

Note 4: Divide wire into two for Grounding Contacts G and H.

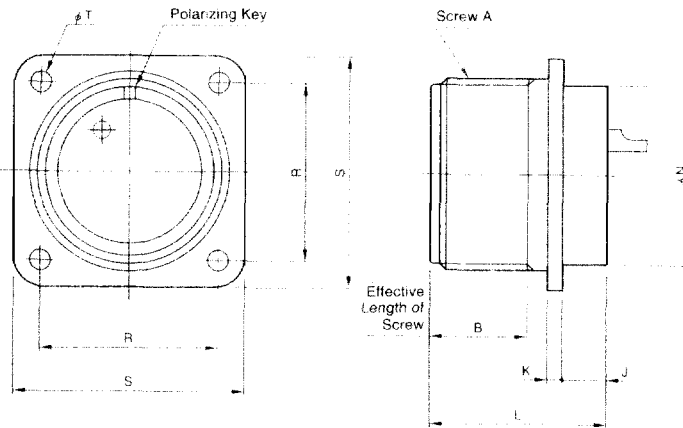
Dimensions in mm (inches)

# JL04V SERIES CONNECTORS

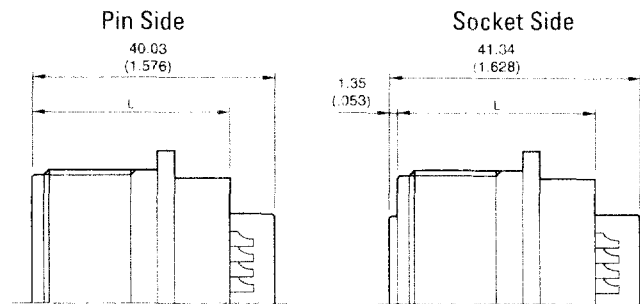
**Waterproof, Wire Soldering Type, Circular Connectors**

**TÜV CERTIFIED • JL04V**

**JL04V-2E • Receptacle (Pin Insert) • Waterproof Type**



Ref: Contact Arrangement "28-11"



Part Number	Contact Arrangement		A Screw	B min.	K ±0.3 (±0.12)	J	L	øN 0 -0.4 (0 -.016)	R ±0.13 (±.005)	S ±0.79 (±.031)	øT +0.2 (+.008) -0.1 (-.004)
	Arrangement Code	Size x No. of Contacts									
JL04V-2E10SL-3PE-B	10SL-3	#16 x 3	5/8 -24UNEF-2A	9.5 (.374)	2.1 (.083)	7 (.276)	23.4 (.921)	15.8 (.622)	18.26 (.719)	25.4 (1.000)	3.1 (.122)
JL04V-2E18-10PE-B	18-10	#12 x 4	1-1/8 -18UNEF-2A	15.9 (.626)	2.7 (.106)	8.25 (.325)	30 (1.181)	27 (1.063)	26.97 (1.062)	34.9 (1.374)	3.1 (.122)
JL04V-2E18-12PE-B	18-12	#16 x 6	1-1/8 -18UNEF-2A	15.9 (.626)	2.7 (.106)	6.45 (.254)	28.2 (1.110)	24.85 (.978)	26.97 (1.062)	34.9 (1.374)	3.1 (.122)
JL04V-2E20-4PE-B	20-4	#12 x 4	1-1/4 -18UNEF-2A	15.9 (.626)	2.7 (.106)	7.05 (.278)	28.8 (1.134)	29.6 (1.165)	29.36 (1.156)	38.1 (1.500)	3.1 (.122)
JL04V-2E20-15PE-B	20-15	#12 x 7									
JL04HV-2E22-22PE-B	22-22	#8 x 4	1-3/8 -18UNEF-2A	15.9 (.626)	2.7 (.106)	9.1 (.358)	30.85 (1.215)	33 (1.299)	31.75 (1.250)	41.3 (1.626)	3.1 (.122)
JL04V-2E22-23PE-B	22-23	#12 x 8	1-3/8 -18UNEF-2A	15.9 (.626)	2.7 (.106)	7.05 (.278)	28.8 (1.134)	32 (1.260)	31.75 (1.250)	41.3 (1.626)	3.1 (.122)
JL04V-2E24-10PE-B	24-10	#8 x 7	1-1/2 -18UNEF-2A	15.9 (.626)	2.7 (.106)	9.1 (.358)	32.45 (1.278)	36 (1.417)	34.92 (1.375)	44.4 (1.748)	3.73 (.147)
JL04V-2E24-10PE(G)-B	24-10 (G)										
JL04V-2E24-11PE-B	24-11	#8 x 3, #12 x 6									
JL04V-2A28-11PE	28-11	#12 x 4	1-3/4 -18UNS-2A	15.9 (.626)	2.7 (.106)	9.38 (.369)	32.7 (1.287)	41.5 (1.634)	39.67 (1.562)	50.8 (2.000)	3.75 (.148)
JL04V-2A28-11SE**		#16 x 18									
JL04V-2E32-17PE-B	32-17	#4 x 4	2 -18UNS-2A	15.9 (.626)	4 (.157)	6.45 (.254)	32.7 (1.287)	47.85 (1.884)	44.45 (1.750)	57.2 (2.252)	4.4 (.173)

\*Note 1: Grounding Contact does not connect with shell.  
 \*\*Note 2: Socket insert type mating with pin insert type plug.  
 \*\*\*Note 3: Contact arrangement 28-11 is waterproof only when mated.

Dimensions in mm (inches)

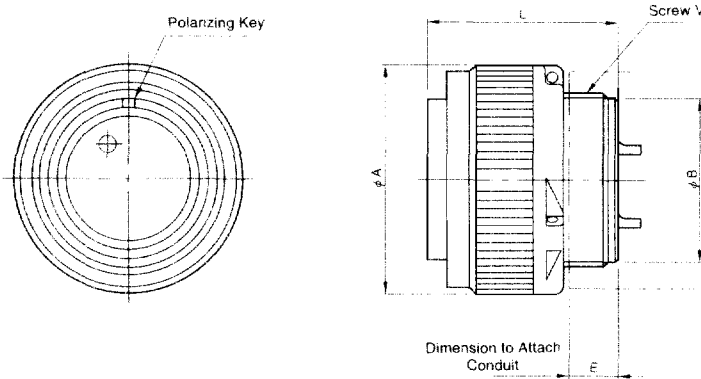


# JL04V SERIES CONNECTORS

Waterproof, Wire Soldering Type, Circular Connectors

TÜV CERTIFIED • JL04V

JL04V-6A • Straight Plug Without Endbell (Socket Insert) • Waterproof Type (Mated Condition)



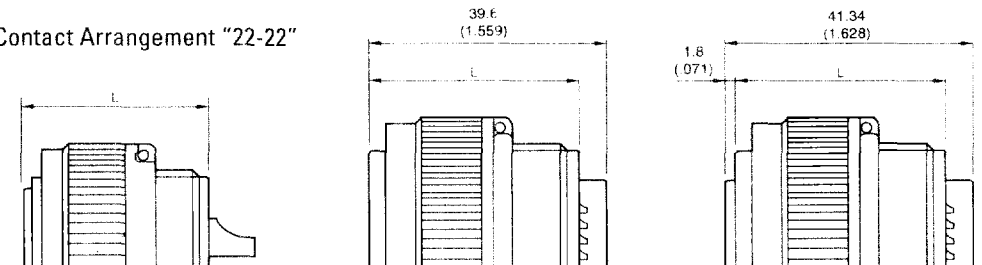
Note: For use with conduit.

Ref: Contact Arrangement "28-11"

Pin Side

Socket Side

Ref: Contact Arrangement "22-22"



Part Number	Contact Arrangement		φA ±0.8 (±.031)	φB ±0.2 (±.008)	L ±0.4 (±.016)	E max.	V Screw
	Arrangement Code	Size x No. of Contacts					
JL04V-6A10SL-3SE	10SL-3	#16 x 3	22.0 ( .866)	12.5 ( .492)	23.54 ( .927)	5.5 ( .217)	9/16- 24UNEF-2A
JL04V-6A18-10SE	18-10	#12 x 4	34.1 (1.343)	23.6 ( .929)	30.4 (1.197)	7.5 ( .295)	1- 20UNEF-2A
JL04V-6A18-12SE	18-12	#16 x 6			30.4 (1.197)		
JL04V-6A20-4SE	20-4	#12 x 4	37.3 (1.469)	27.0 (1.063)	31.5 (1.240)	8 ( .315)	1-1/8- 18UNEF-2A
JL04V-6A20-15SE	20-15	#12 x 7			31.5 (1.240)		
JL04V-6A22-22SE	22-22	#8 x 4	40.5 (1.594)	29.7 (1.169)	31.2 (1.228)	8 ( .315)	1-1/4- 18UNEF-2A
JL04V-6A22-23SE	22-23	#12 x 8			31.5 (1.240)		
JL04V-6A24-10SE	24-10	#8 x 7	43.7 (1.720)	32.9 (1.295)	35 (1.378)	10 ( .394)	1-3/8- 18UNEF-2A
JL04V-6A24-10SE(G)	24-10 (G)						
JL04V-6A24-11SE	24-11	#8 x 3 #12 x 6					
JL04V-6A28-11SE	28-11	#12 x 4	49.94 (1.966)	39.3 (1.547)	35 (1.378)	10 ( .394)	1-5/8- 18UNEF-2A
JL04V-6A28-11PE*		#16 x 18					
JL04V-6A32-17SE	32-17	#4 x 4	56.3 (2.216)	45.4 (1.787)	35.8 (1.409)	10 ( .394)	1-7/8- 16UN-2A

\*Note 1. Pin insert type mating with socket insert type receptacle.

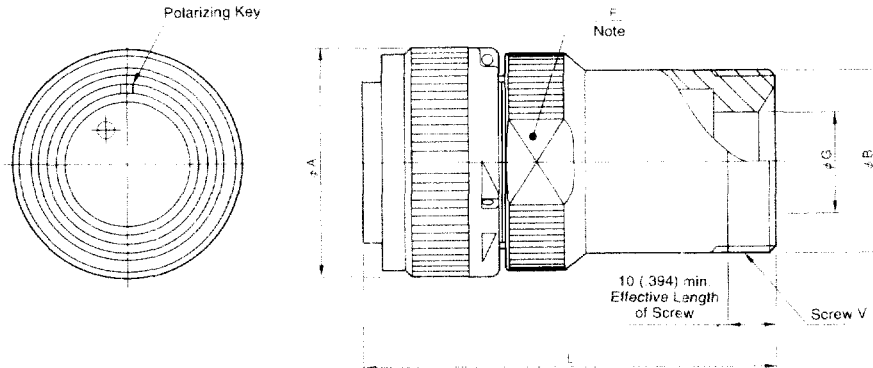
Dimensions in mm (inches)

# JL04V SERIES CONNECTORS

Waterproof, Wire Soldering Type, Circular Connectors

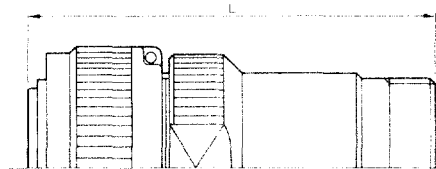
TÜV CERTIFIED • JL04V

JL04V-6A-EB • Straight Plug (Socket Insert) • Waterproof Type (Mated Condition)



Note: Dimension F – Distance between beveled edges.

Ref: Contact Arrangement "22-22", "28-11SE"



Part Number	Contact Arrangement		$\pm 0.8 (\pm .031)$	$\pm 0.2 (\pm .008)$	$\pm 0.8 (\pm .031)$	$\pm 0.5 (\pm .020)$	$\pm 0.5 (\pm .020)$	V Screw
	Arrangement Code	Size x No. of Contacts						
JL04V-6A10SL-3SE-EB	10SL-3	#16 x 3	22.0 (.866)	15.77 (.621)	44.1 (1.736)	18 (.709)	7 (.276)	5/8- 24UNEF-2A
JL04V-6A18-10SE-EB	18-10	#12 x 4	34.1 (1.343)	25.3 (.996)	57.4 (2.260)	29 (1.142)	15 (.591)	1- 20UNEF-2A
JL04V-6A18-12SE-EB	18-12	#16 x 6						
JL04V-6A20-4SE-EB	20-4	#12 x 4	37.3 (1.469)	29.72 (1.170)	58.5 (2.303)	33 (1.299)	17 (.669)	1-3/16- 18UNEF-2A
JL04V-6A20-15SE-EB	20-15	#12 x 7						
JL04V-6A22-22SE-EB	22-22	#8 x 4	40.5 (1.594)	30.05 (1.183)	67.63 (2.663)	35 (1.378)	17 (.669)	1-3/16- 18UNEF-2A
JL04V-6A22-23SE-EB	22-23	#12 x 8			67.9 (2.673)			
JL04V-6A24-10SE-EB	24-10	#8 x 7	43.7 (1.720)	36.4 (1.433)	71 (2.795)	38 (1.496)	20 (.787)	1-7/16- 18UNEF-2A
JL04V-6A24-10SE(G)-EB	24-10 (G)							
JL04V-6A24-11SE-EB	24-11	#8 x 3 #12 x 6						
JL04V-6A28-11SE-EB	28-11	#12 x 4 #16 x 18	49.94 (1.966)	36.4 (1.433)	72.8 (2.866)	45 (1.772)	20 (.787)	1-7/16- 18UNEF-2A
JL04V-6A28-11PE-EB					71 (2.795)			

\*Note 1: Pin insert type mating with socket insert type receptacle.

Dimensions in mm (inches)



Hong Kong  
Tel: 2723-7782  
Fax: 2723-9028

Japan  
03-3780-2715  
03-3780-2883

Korea  
2-551-8959  
2-551-8958

Philippines  
46-433-0276  
46-433-0287

Singapore  
748-1332  
748-2920

Taiwan  
02-555-9711  
02-556-5424

Europe  
1276-21717  
1276-66165

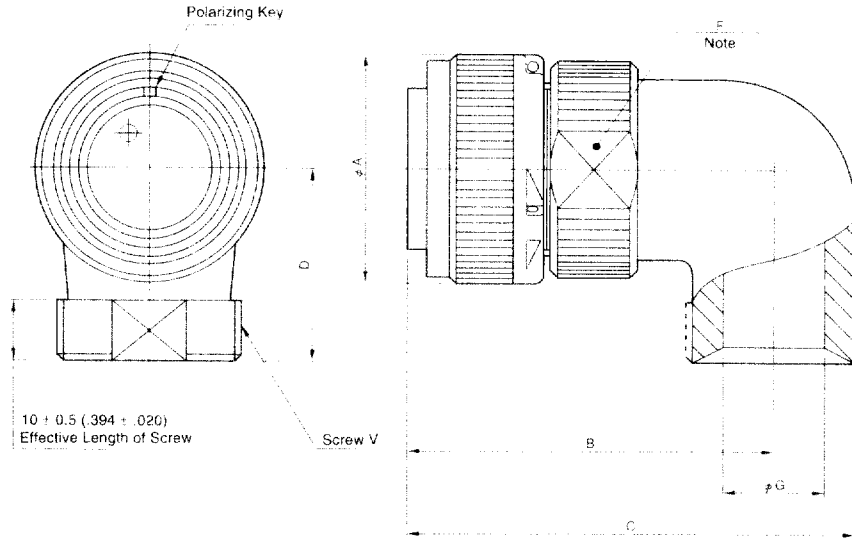
United States  
949-753-2600  
949-753-2699



# JL04V SERIES CONNECTORS

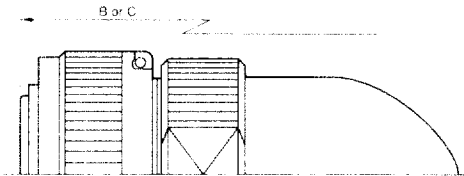
**Waterproof, Wire Soldering Type, Circular Connectors**

**TÜV CERTIFIED • JL04V**  
**JL04V-8A-EB • Right Angle Plug (Socket Insert) • Waterproof Type (Mated Condition)**



Note: Dimension F – Distance between beveled edges.

Ref: Contact Arrangement "22-22", "28-11SE"



Part Number	Contact Arrangement		øA ± 3.8 (± .031)	B ± 0.8 (± .031)	C ± 0.8 (± .031)	D ± 0.8 (± .031)	F ± 0.5 (± .020)	øG ± 0.5 (± .020)	V Screw
	Arrangement Code	Size x No. of Contacts							
JL04V-8A10SL-3SE-EB	10SL-3	#16 x 3	22.0 (.866)	37 (1.457)	43.95 (1.730)	24 (.945)	18 (.709)	7 (.276)	5/8- 24UNEF-2A
JL04V-8A18-10SE-EB	18-10	#12 x 4	34.1 (1.343)	54 (2.126)	65.2 (2.567)	30 (1.181)	29 (1.142)	15 (.591)	1- 20UNEF-2A
JL04V-8A18-12SE-EB	18-12	#16 x 6							
JL04V-8A20-4SE-EB	20-4	#12 x 4	37.3 (1.469)	60.5 (2.382)	74.2 (2.921)	32 (1.260)	33 (1.299)	17 (.669)	1-3/16- 18UNEF-2A
JL04V-8A20-15SE-EB	20-15	#12 x 7							
JL04V-8A22-22SE-EB	22-22	#8 x 4	40.5 (1.594)	60.23 (2.371)	73.93 (2.911)	32 (1.260)	35 (1.378)	17 (.669)	1-3/16- 18UNEF-2A
JL04V-8A22-23SE-EB	22-23	#12 X 8		60.5 (2.382)	74.2 (2.921)				
JL04V-8A24-10SE-EB	24-10	#8 x 7							
JL04V-8A24-10SE(G)-EB	24-10 (G)		43.7 (1.720)	65 (2.559)	82 (3.228)	38 (1.496)	38 (1.496)	20 (.787)	1-7/16- 18UNEF-2A
JL04V-8A24-11SE-EB	24-11	#8 x 3, #12 x 6							
JL04V-8A28-11SE-EB	28-11	#12 x 4	49.94 (1.966)	65 (2.559)	82.8 (3.260)	38 (1.496)	45 (1.772)	20 (.787)	1-7/16- 18UNEF-2A
JL04V-8A28-11PE-EB*		#16 x 18			82 (3.228)				

\*Note 1: Pin insert type mating with socket insert type receptacle.

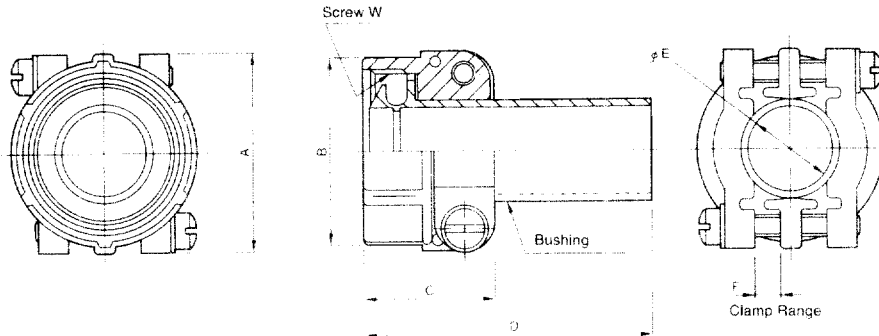
Dimensions in mm (inches)

# JL04V SERIES CONNECTORS

## Waterproof, Wire Soldering Type, Circular Connectors

### ACCESSORY

#### JL04-CK • Cable Clamp • Waterproof Type (Mated Condition)



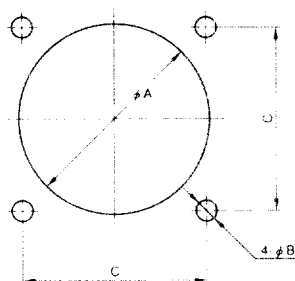
Shell Size	Part Number	A ± 0.8 (± .031)	B ± 0.8 (± .031)	C ± 0.8 (± .031)	D ± 0.8 (± .031)	øE ± 0.8 (± .031)	F ± 0.8 (± .031)	W Screw	Applicable Cable Diameter
10SL	JL04-1012CK (05)	22.2 (.874)	20.6 (.811)	20.7 (.815)	50.6 (1.992)	6.0 (.236)	1.6 (.063)	5/8 -24UNEF-2B	ø4 to ø6 (ø.157 to ø.236)
18	JL04-18CK (13)	31.8 (1.252)	30.2 (1.189)	24.1 (.949)	53.8 (2.118)	14 (.551)	3.2 (.126)	1 -20UNEF-2B	ø11 to ø14 (ø.433 to ø.551)
20.22	JL04-2022CK (14)	37.3 (1.469)	34.9 (1.374)	24.3 (.957)	53.8 (2.118)	15.9 (.626)	4 (.157)	1-3/16 -18UNEF-2B	ø12.9 to ø15.9 (ø.508 to ø.626)
24.28	JL04-2428CK (17)	42.9 (1.689)	42.1 (1.657)	26.2 (1.031)	56.2 (2.213)	18 (.709)	4.8 (.189)	1-7/16 -18UNEF-2B	ø15 to ø18 (ø.591 to ø.709)

Note : Shell size is represented by first part of contact arrangement code.  
(Example: JL04V-6A18-10SE-EB – Shell Size 18)

#### MATERIALS AND FINISHES (JL04-CK)

Description	Materials/Finishes
Grand Nut	Aluminum Alloy/Zinc Plating (Black)
Clamp Saddle	Aluminum Alloy/Zinc Plating (Black)
Screw	Copper Alloy/Zinc Plating (Black)
Toothed Lock Washer	Steel/Zinc Plating (Black)
Bushing	Nitrile Rubber (Black)
Washer	Synthetic Resin

#### PANEL HOLE PATTERN



Part Number	øA ± 0.5 (± .020)	øB +0.2 (+.008) 0 0	C ± 0.13 (± .005)
JL04V-2E10SL-3PE-B	17.5 (.689)	3.3 (.130)	18.26 (.719)
JL04V-2E18-10PE-B	30.2 (1.189)	3.3 (.130)	26.97 (1.062)
JL04V-2E18-12PE-B			
JL04V-2E20-4PE-B	33.4 (1.315)	3.3 (.130)	29.36 (1.156)
JL04V-2E20-15PE-B			
JL04HV-2E22-22PE-B	36.6 (1.441)	3.3 (.130)	31.75 (1.250)
JL04V-2E22-23PE-B			
JL04V-2E24-11PE-B	39.7 (1.563)	3.8 (.150)	34.92 (1.375)
JL04V-2E24-10PE(G)-B			
JL04V-2E24-11PE-B	46.1 (1.815)	3.8 (.150)	39.67 (1.562)
JL04V-2A28-11PE			
JL04V-2A28-11SE	52.48 (2.066)	4.4 (.173)	44.45 (1.750)
JL04V-2E32-17FE-B			

Dimensions in mm (inches)