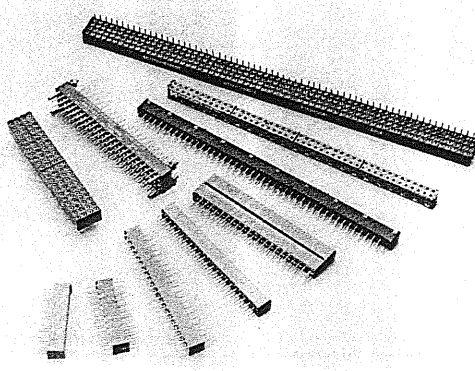


7057001

HIGH DENSITY PIN & SOCKET P.C. BOARD STACKING CONNECTORS



- Very low mating forces.
- 2 styles:
 - plug with pins to receptacles with sockets.
 - pins (supplied on carrier) to receptacle with sockets.
- Alignment and keying optional.
- Plugs and carriers have male contacts; receptacles have female contacts.
- .018 (.45) dia. pins.
- .100 (2.54) x .100 (2.54) centers.
- Stackable
- .240 height between boards.

CONTACTS

Materials: Brass, BeCu, PhBz

Plating: T = 10 μin. gold over nickel.

TH = 50 μin. gold over nickel (pins only).

TAH = 50 μin. gold over nickel (mating surface), & gold flash (socket bodies).

TABH = 50 μin. gold over nickel (mating surface), gold flash (socket bodies) & solder plate (termination area).

Resistance: < 8 milliohms.

Current Rating: 2.5 amperes.

Extraction Force: Min. .3 oz., Max. 1.6 oz.

Life: >100,000 cycles.

Closed entry construction.

CONNECTORS

Insulation Resistance at 500V dc:
>10⁵ M ohms.

Breakdown voltage between contacts:
>1200 volts RMS.

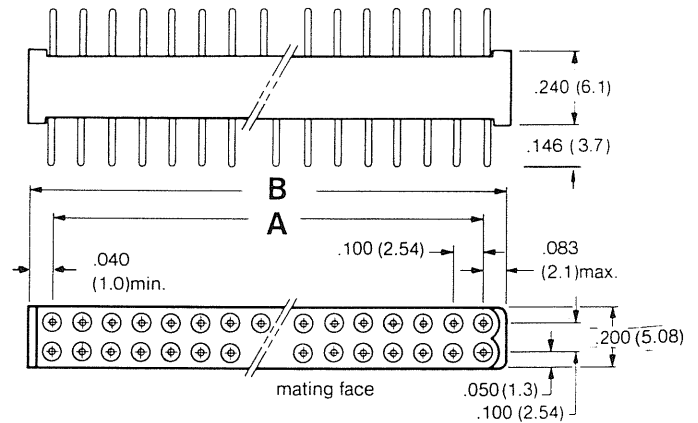
Temperature Rating: -55°C to +105°C.

Insulator Material: Nylon® (polyamide).

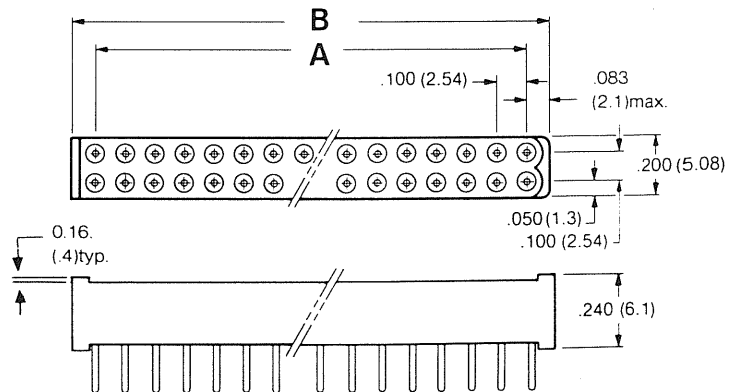
Guides: stainless steel or nickel plated brass.

CONNECTOR DIMENSIONS

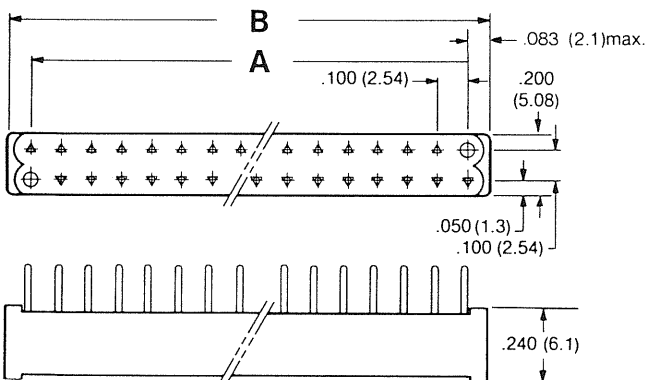
PLUG (P)



RECEPTACLE (E)



PIN CARRIER (A)



Notes:

- 1) These are standard size. Any even size from 2 to 90 can be specially ordered.
- 2) Dimensions in inches (mm).

TERMINAL STYLES

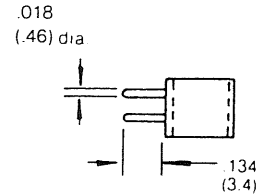
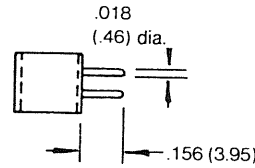
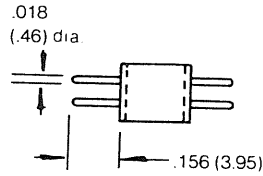
REF.

PLUGS

RECEPTACLES

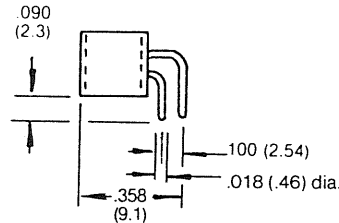
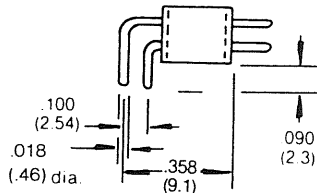
CARRIER

D



C

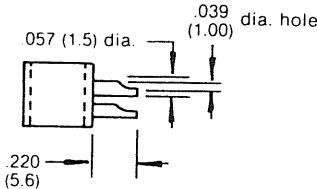
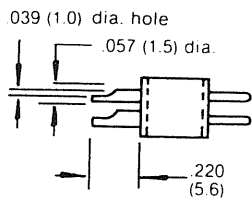
For
1/16" P.C. Board



S

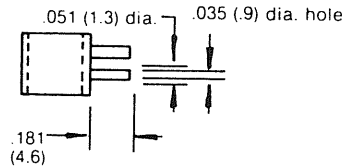
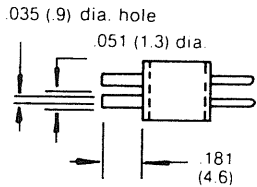
Accepts up
to 22 AWG

Stripped back
.125 (3.2)



R

Accepts 22,
24 & 26 AWG
Stripped back
.173 (4.4)

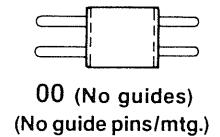
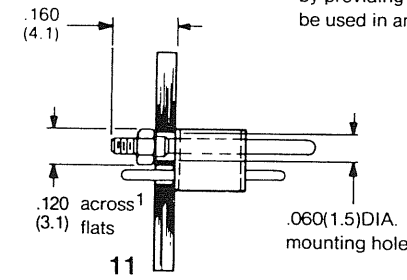
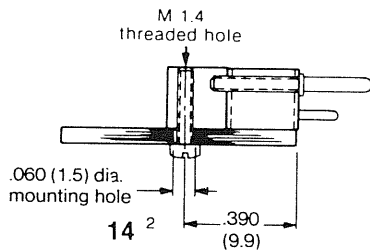


Ref.	Terminal Style
D	Straight Dip Solder
C	Right Angle Dip Solder (1/16" board)
S	Solder Cup
R	Crimp

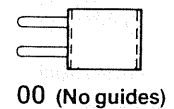
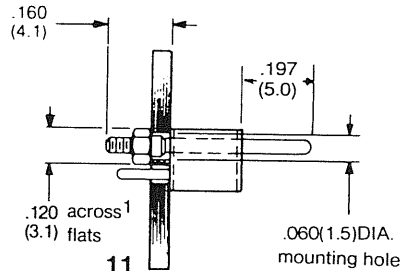
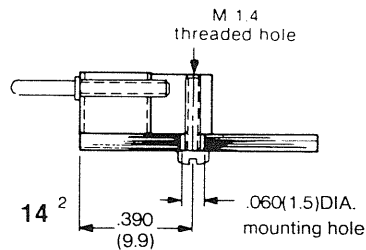
MOUNTING STYLES/ GUIDES/ KEYS

The guide pins serve the additional function of mounting by providing a threaded stud, and keying by being able to be used in any contact hole.

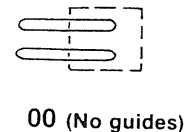
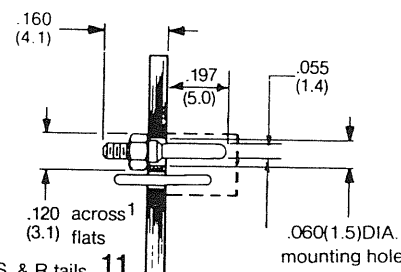
PLUGS



RECEPTACLES



CARRIER



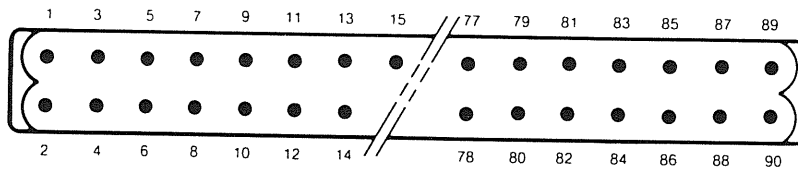
Notes:

- 1) Torque = 9.5 in*oz. (.7cm-kg) (.07N-m) max. Barrel nut supplied with C, S, & R tails.
- 2) With style 14 mounting, 2 contact positions are used for each mounting position.
- 3) Dimensions in inches (mm).

KG SERIES

CONTACT ARRANGEMENT

Receptacle seen from wiring side.

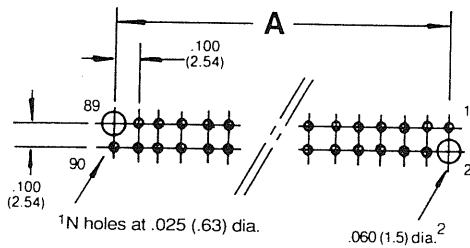


MOUNTING DIMENSIONS

MOTHER BOARD APPLICATION

STYLE 00, 11

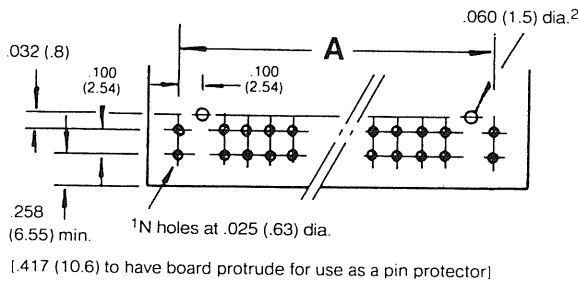
(Example has guide pins in position P2 and P89; although any combination is possible.)



DAUGHTER BOARD APPLICATION

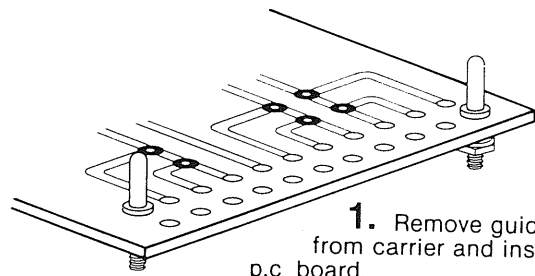
STYLE 14

(Example has guide pins in position P3 and P87; although any combination is possible.)

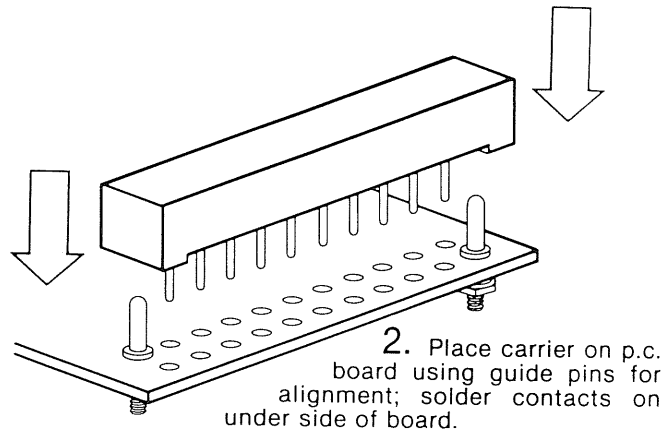


No. of Contacts	A
22	1.000 (25.4)
24	1.100 (27.94)
44	2.100 (53.34)
46	2.200 (55.88)
66	3.200 (81.28)
68	3.300 (83.82)
90	4.400 (111.76)

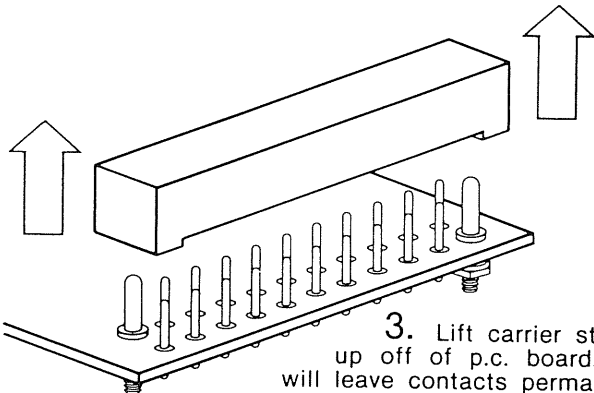
ASSEMBLY METHOD WITH PIN CARRIER (A)



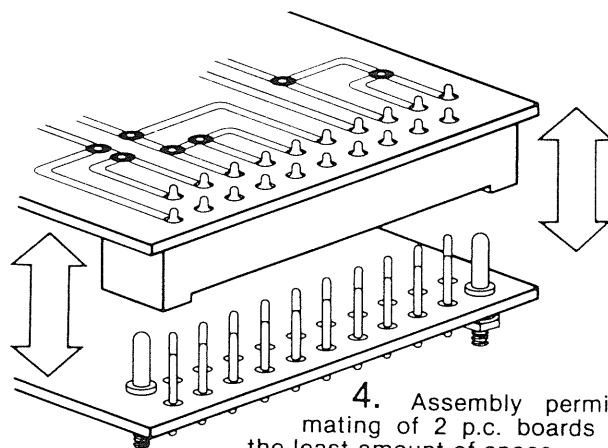
1. Remove guide pins from carrier and install on p.c. board.



2. Place carrier on p.c. board using guide pins for alignment; solder contacts on under side of board.



3. Lift carrier straight up off of p.c. board. This will leave contacts permanently in place, ready for mating. (Disposable pin carrier may be used as a pin protector.)

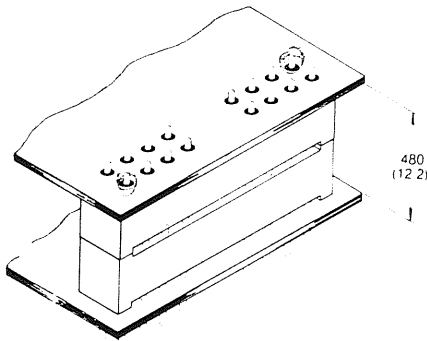


4. Assembly permits mating of 2 p.c. boards in the least amount of space.

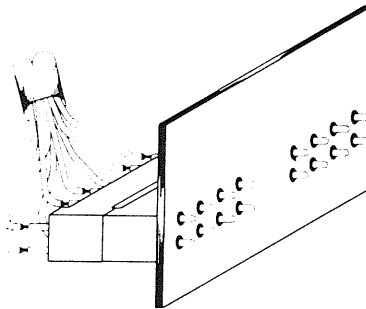
Notes:

- 1) Number of contacts. (special pad configuration required next to mounting holes).
- 2) See pg. K40 for a description of mounting styles/guides/keys.
- 3) Dimensions in inches (mm).

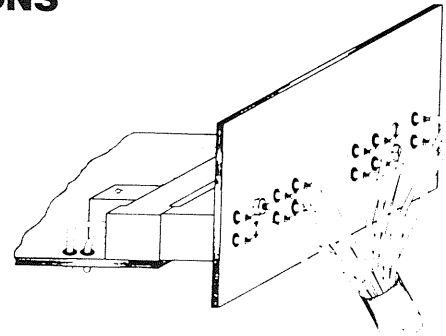
TYPICAL APPLICATIONS



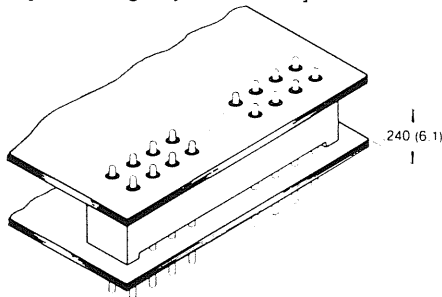
P.C. Board to P.C. Board —
Thick Parallel Sandwich
for tall board components
[Mounting Style 00 to 00]



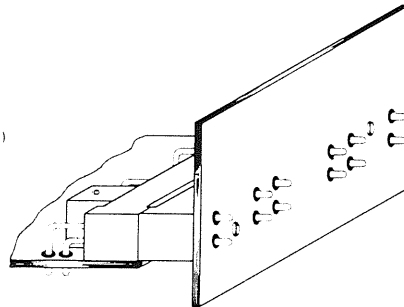
Cable to P.C. Board
[Mounting Style 00 to 00]



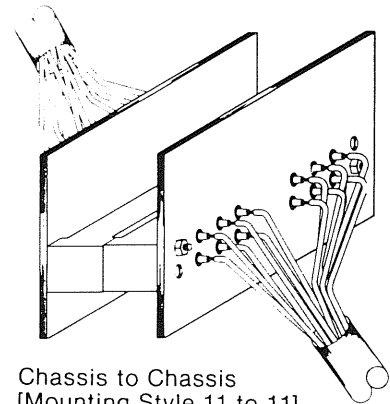
P.C. Board to Chassis
[Mounting Style 14 to 11]



P.C. Board to P.C. Board —
Thin Parallel Sandwich
for maximum density
[Mounting Style 00 to 00 (Carrier)]



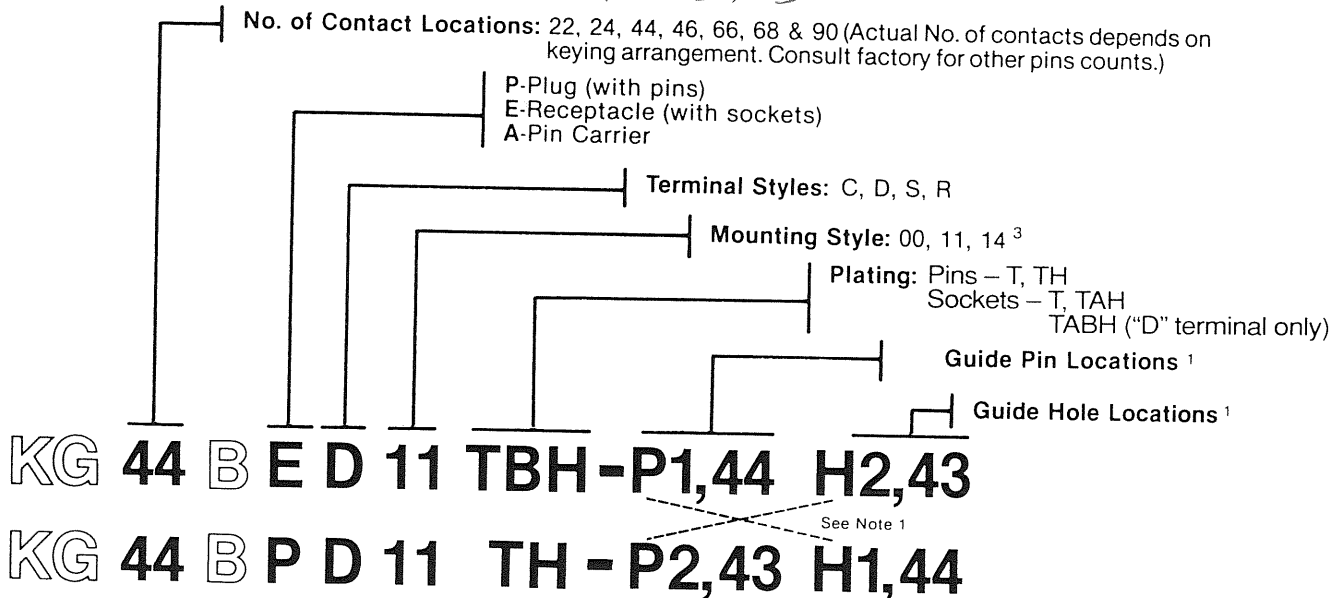
Daughter Board to Mother Board
[Mounting Style 14 to 00]



Chassis to Chassis
[Mounting Style 11 to 11]

ORDERING INFORMATION (For KG Series)

KG 44BED 00TAH-H2, 43



ACCESSORIES

Insertion Tool S/Mont 1.0045
Crimp Tool MS3198.1 or M22520/2-01
Positioner SS1.0045
Comb for positioning right angle dip solder tails:

YCM 022-001

No. of contact positions

Notes:

- 1) If mounting/guiding/keying is desired, actual contact quantity will be reduced by the number of mounting/guiding/keying positions (except 14, reduced by 2). For a mated pair, holes and guides must be complementary i.e., if position 1 in plug has guide pin then position 1 in receptacle must have guide hole, etc. If omitted, connectors will be shipped fully loaded without guides/mounts.
- 2) Dimensions in inches (mm).
- 3) With style 14 mounting, 2 contact positions are used for each mounting position.