



LR3965

CMOS IC

1.5A LOW DROPOUT LINEAR REGULATOR

DESCRIPTION

The UTC **LR3965** belonged to low-noise, low-dropout, linear regulators operate from 2.25V to 6V input and are guaranteed to deliver 1.5A. Wide range of preset output voltage options are available. Built-in low on-resistance transistor provides low dropout voltage and large output current. The UTC **LR3965** is designed and optimized for battery-powered systems to work with low noise.

The UTC **LR3965** consumes less than 0.01 μ A in shutdown mode. Other features include ultra low dropout voltage, current limiting protection, thermal shutdown protection and high ripple rejection ratio.

FEATURES

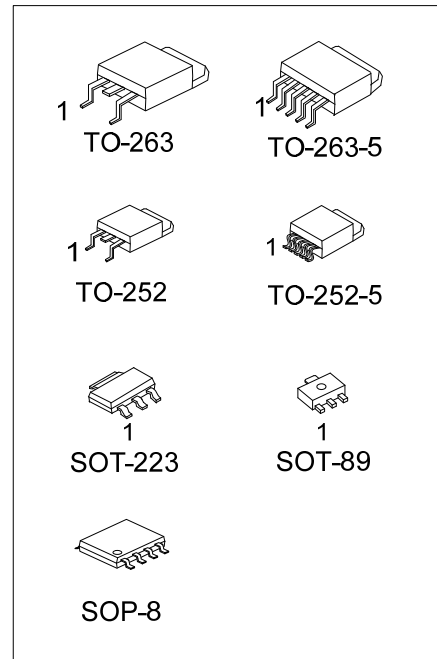
- * 1.5A Guaranteed Output Current
- * 0.01 μ A Shutdown Current
- * 40mV Dropout at 150mA Load
- * Low Temperature Coefficient
- * Current Limiting Protection
- * Thermal Shutdown Protection
- * Excellent Line/Load Transient
- * Sense Option Improves Load Regulation

ORDERING INFORMATION

Ordering Number		Package	Pin Assignment								Packing
Lead Free	Halogen Free		1	2	3	4	5	6	7	8	
LR3965L-xx-AB3-C-R	LR3965G-xx-AB3-C-R	SOT-89	G	I	O	-	-	-	-	-	Tape Reel
LR3965L-xx-AA3-A-R	LR3965G-xx-AA3-A-R	SOT-223	G	O	I	-	-	-	-	-	Tape Reel
LR3965L-xx-AA3-D-R	LR3965G-xx-AA3-D-R	SOT-223	I	G	O	-	-	-	-	-	Tape Reel
LR3965L-xx-TN3-A-R	LR3965G-xx-TN3-A-R	TO-252	G	O	I	-	-	-	-	-	Tape Reel
LR3965L-xx-TN3-D-R	LR3965G-xx-TN3-D-R	TO-252	I	G	O	-	-	-	-	-	Tape Reel
LR3965L-xx-TQ2-A-R	LR3965G-xx-TQ2-A-R	TO-263	G	O	I	-	-	-	-	-	Tape Reel
LR3965L-xx-TQ2-A-T	LR3965G-xx-TQ2-A-T	TO-263	G	O	I	-	-	-	-	-	Tube
LR3965L-xx-TQ2-D-R	LR3965G-xx-TQ2-D-R	TO-263	I	G	O	-	-	-	-	-	Tape Reel
LR3965L-xx-TQ2-D-T	LR3965G-xx-TQ2-D-T	TO-263	I	G	O	-	-	-	-	-	Tube
LR3965L-xx-TN5-R	LR3965G-xx-TN5-R	TO-252-5	S	I	G	O	A	-	-	-	Tape Reel
LR3965L-xx-TQ5-R	LR3965G-xx-TQ5-R	TO-263-5	S	I	G	O	A	-	-	-	Tape Reel
LR3965L-xx-TQ5-T	LR3965G-xx-TQ5-T	TO-263-5	S	I	G	O	A	-	-	-	Tube
LR3965L-xx-S08-R	LR3965G-xx-S08-R	SOP-8	S	I	O	A	G	G	G	G	Tape Reel

Note: Pin Assignment: I:V_{IN} O:V_{OUT} G:GND S: SHDN A: ADJ/SENSE/SS/POK

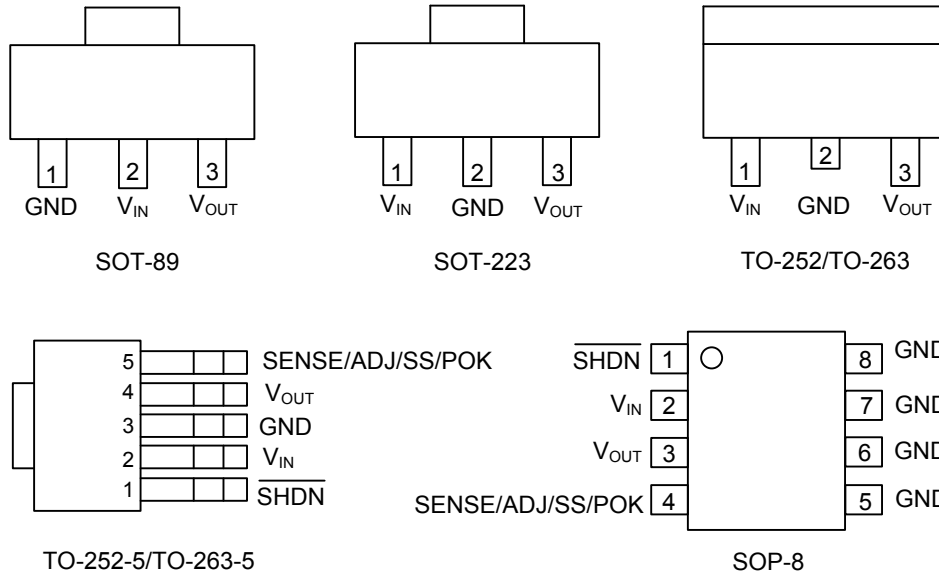
<p>LR3965L-xx-AA3-D-R</p>	<p>(1) R: Tape Reel, T: Tube (2) refer to Pin Assignment (3) AA3: SOT-223, AB3: SOT-89, TN3: TO-252 TN5: TO-252-5, TQ2: TO-263, TQ5-TO-263-5 S08: SOP-8 (4) xx: refer to Marking Information (5) G: Halogen Free, L: Lead Free</p>
---------------------------	------------------------------------------------------------------------------------------------------------------------------------------------------------------------------------------------------------------------------------------------------------------



■ MARKING INFORMATION

PACKAGE	VOLTAGE CODE	MARKING
SOT-223	12 :1.2V 18 :1.8V 25 :2.5V 33 :3.3V 50 :5.0V	
SOT-89		
TO-252 TO-263		
TO-252-5 TO-263-5		

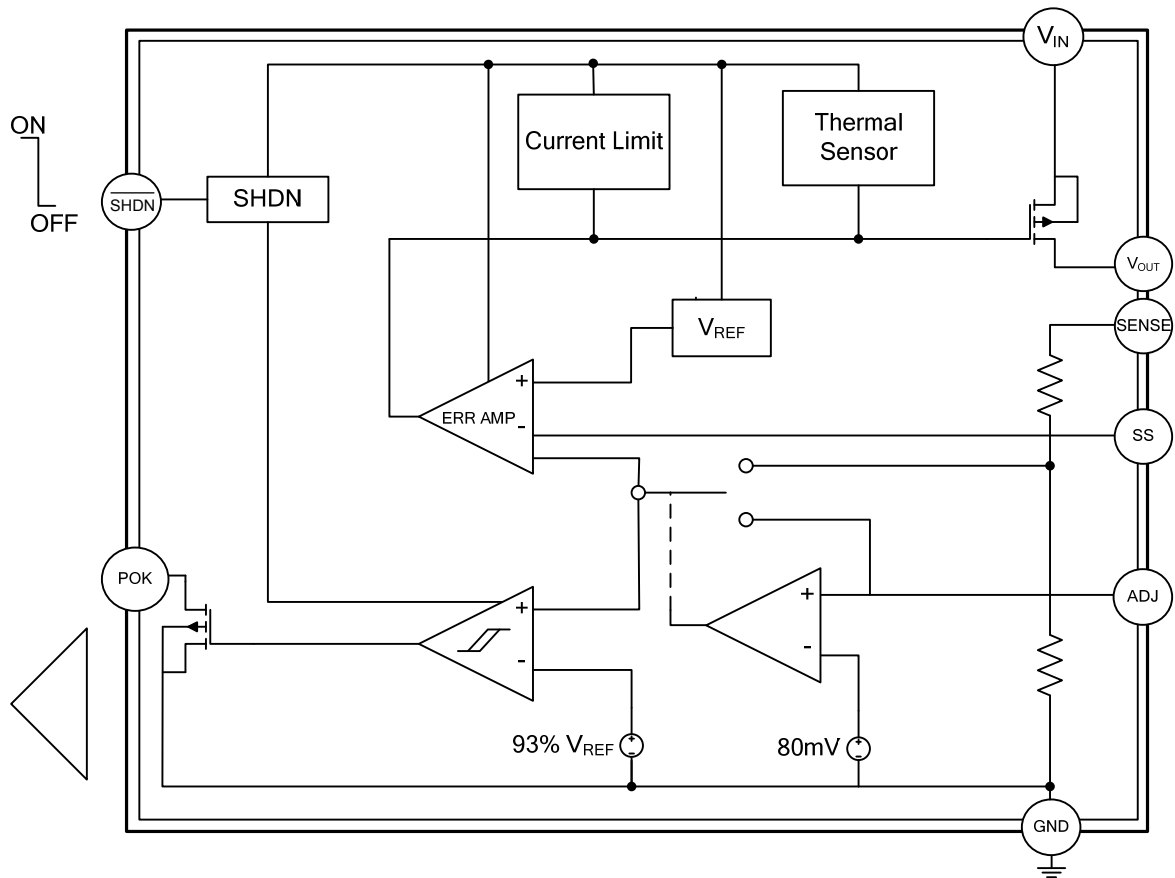
■ PIN CONFIGURATION



■ PIN DESCRIPTION

PIN NAME	DESCRIPTION
V_{IN}	Power Input Voltage. Supply voltage can range from 2.25V to 6V. Bypass with a 68 μ F capacitor to GND.
GND	Ground
$\overline{\text{SHDN}}$	Active-Low Shutdown Input. A logic low at $\overline{\text{SHDN}}$ reduces supply current to 0.01 μ A. In shutdown, the POK output is low. Connect $\overline{\text{SHDN}}$ to V_{IN} for normal operation.
V_{OUT}	Output Voltage
ADJ	Voltage-adjust Input. Connect ADJ to GND for preset output. Connect an external resistive voltage-divider from V_{OUT} to ADJ to set the output voltage between 0.8V and 6V. The ADJ regulation voltage is 800mV or 1.216V.
SENSE	Remote sense pin.
SS	Soft start time setting. For adjustable soft start time version, connect a capacitor from SS to gnd to set the soft start time.
POK	Open-Drain, Active-Low Power-OK Output. POK remains low while the output voltage (V_{OUT}) is below the POK threshold.

■ BLOCK DIAGRAM



■ ABSOLUTE MAXIMUM RATING (T_a=25°C)

PARAMETER		SYMBOL	RATINGS	UNIT
Supply Voltage		V _{IN}	6.5	V
Power Dissipation	SOP-8	P _D	606	mW
	SOT-223		714	mW
	SOT-89		500	mW
	TO-252/TO-252-5		952	mW
	TO-263/TO-263-5		1250	mW
Junction Temperature		T _J	+125	°C
Ambient Operating Temperature		T _{OPR}	-40 ~ +125	°C
Storage Temperature		T _{STG}	-65 ~ +150	°C

Note: Absolute maximum ratings are those values beyond which the device could be permanently damaged.

Absolute maximum ratings are stress ratings only and functional device operation is not implied.

■ THERMAL DATA

PARAMETER		SYMBOL	RATINGS	UNIT
Junction to Ambient	SOP-8	θ _{JA}	165	°C/W
	SOT-223		150	°C/W
	SOT-89		180	°C/W
	TO-252/TO-252-5		112	°C/W
	TO-263/TO-263-5		64	°C/W
Junction to Case	SOP-8	θ _{JC}	20	°C/W
	SOT-223		15	°C/W
	SOT-89		50	°C/W
	TO-252/TO-252-5		12	°C/W
	TO-263/TO-263-5		4	°C/W

■ ELECTRICAL CHARACTERISTICS (C_{IN} = 68μF, C_{OUT} =33μF, T_a= 25°C, unless otherwise specified)

LR3965-1.2V

PARAMETER	SYMBOL	TEST CONDITIONS	MIN	TYP	MAX	UNIT
Input Voltage	V _{IN}		2.25		6	V
Output Voltage Accuracy (Preset Mode)	V _{OUT}	T _a =25°C, I _{OUT} = 1mA ~1.5A	-2		2	%
		T _a =0~85°C, I _{OUT} = 1mA~1.5A	-3		3	%
Maximum Output Current	I _{OUT}			1.5		A
Short-Circuit Current Limit	I _{LIMIT}	V _{OUT} =0V		2.5		A
Ground Pin Current	I _{GND}	I _{OUT} = 0mA		200		μA
		I _{OUT} = 1mA to 1.5A		250		μA
Dropout Voltage (Note)	V _D	I _{OUT} =1.5A		1000	1050	mV
Line Regulation	$\frac{\Delta V_{OUT}}{\Delta V_{IN} \times V_{OUT}}$	V _{IN} =V _{OUT} +V _D ~6V		0.08	0.18	%/V
Load Regulation	$\frac{\Delta V_{OUT}}{V_{OUT}}$	V _{IN} =V _{OUT} +V _D , I _{OUT} =10mA~1.5A		0.25	0.5	%
Output Voltage Noise	e _N	f=10Hz to 1MHz, C _{OUT} =33μF		300		μV _{RMS}
Shutdown Supply Current	I _{OFF}	SHDN = GND		0.01	5	μA
Shutdown Threshold	V _{IH}		1.6			V
	V _{IL}				0.6	V
Thermal Shutdown Temperature	T _{SHDN}			170		°C
Thermal Shutdown Hysteresis	DT _{SHDN}			20		°C
ADJ Voltage	V _{REF}	Measured on ADJ, I _{OUT} =10mA	0.774	0.8	0.826	V
ADJ Mode Threshold				80		mV
Adjustable Output Voltage			0.8		5	V
POK Output Low Voltage	V _{OL}	Sinking 2mA		5	50	mV
Operating Voltage Range for Valid POK Output		Sinking 100μA	1.0		5.5	V
POK Output High Leakage Current		V _{POK} =5.5V			100	nA
POK Threshold		Rising edge, referred to V _{OUT} (NOMINAL)	90	93	96	%
Adjustable Output Voltage			0.8		5	V

■ ELECTRICAL CHARACTERISTICS(Cont.)

LR3965-1.8V

PARAMETER	SYMBOL	TEST CONDITIONS	MIN	TYP	MAX	UNIT
Input Voltage	V_{IN}		2.8		6	V
Output Voltage Accuracy (Preset Mode)	V_{OUT}	$T_a=25^{\circ}\text{C}$, $I_{OUT}=1\text{mA}\sim 1.5\text{A}$	-2		2	%
		$T_a=0\sim 85^{\circ}\text{C}$, $I_{OUT}=1\text{mA}\sim 1.5\text{A}$	-3		3	%
Maximum Output Current	I_{OUT}			1.5		A
Short-Circuit Current Limit	I_{LIMIT}			2.5		A
Ground Pin Current	I_{GND}	$I_{OUT}=0\text{mA}$		200		μA
		$I_{OUT}=1\text{mA}$ to 1.5A		250		μA
Dropout Voltage (Note)	V_D	$I_{OUT}=1.5\text{A}$			550	mV
Line Regulation	$\frac{\Delta V_{OUT}}{\Delta V_{IN} \times V_{OUT}}$	$V_{IN}=V_{OUT}+1\text{V}\sim 6\text{V}$			0.55	%/V
Load Regulation	ΔV_{OUT}	$V_{IN}=V_{OUT}+1\text{V}$, $I_{OUT}=10\text{mA}\sim 1.5\text{A}$			0.50	%
Output Voltage Noise	eN	$f=10\text{Hz}$ to 1MHz, $C_{OUT}=33\mu\text{F}$		300		μV_{RMS}
Shutdown Supply Current	I_{OFF}	$\overline{\text{SHDN}} = \text{GND}$		0.01	5	μA
Shutdown Threshold	V_{IH}		1.6			V
	V_{IL}				0.6	V
Thermal Shutdown Temperature	T_{SHDN}			170		$^{\circ}\text{C}$
Thermal Shutdown Hysteresis	DT_{SHDN}			20		$^{\circ}\text{C}$
ADJ Voltage	V_{REF}	Measured on ADJ, $I_{OUT}=10\text{mA}$	0.774	0.8	0.826	V
ADJ Mode Threshold				80		mV
Adjustable Output Voltage			0.8		5	V

LR3965-2.5V

PARAMETER	SYMBOL	TEST CONDITIONS	MIN	TYP	MAX	UNIT
Input Voltage	V_{IN}		3.5		6	V
Output Voltage Accuracy (Preset Mode)	V_{OUT}	$T_a=25^{\circ}\text{C}$, $I_{OUT}=1\text{mA}\sim 1.5\text{A}$	-2		2	%
		$T_a=0\sim 85^{\circ}\text{C}$, $I_{OUT}=1\text{mA}\sim 1.5\text{A}$	-3		3	%
Maximum Output Current	I_{OUT}			1.5		A
Short-Circuit Current Limit	I_{LIMIT}			2.5		A
Ground Pin Current	I_{GND}	$I_{OUT}=0\text{mA}$		200		μA
		$I_{OUT}=1\text{mA}$ to 1.5A		250		μA
Dropout Voltage (Note)	V_D	$I_{OUT}=1.5\text{A}$			550	mV
Line Regulation	$\frac{\Delta V_{OUT}}{\Delta V_{IN} \times V_{OUT}}$	$V_{IN}=V_{OUT}+1\text{V}\sim 6\text{V}$			0.55	%/V
Load Regulation	ΔV_{OUT}	$V_{IN}=V_{OUT}+1\text{V}$, $I_{OUT}=10\text{mA}\sim 1.5\text{A}$			0.50	%
Output Voltage Noise	eN	$f=10\text{Hz}$ to 1MHz, $C_{OUT}=33\mu\text{F}$		300		μV_{RMS}
Shutdown Supply Current	I_{OFF}	$\overline{\text{SHDN}} = \text{GND}$		0.01	5	μA
Shutdown Threshold	V_{IH}		1.6			V
	V_{IL}				0.6	V
Thermal Shutdown Temperature	T_{SHDN}			170		$^{\circ}\text{C}$
Thermal Shutdown Hysteresis	DT_{SHDN}			20		$^{\circ}\text{C}$
ADJ Voltage	V_{REF}	Measured on ADJ, $I_{OUT}=10\text{mA}$	0.774	0.8	0.826	V
ADJ Mode Threshold				80		mV
Adjustable Output Voltage			0.8		5	V

■ ELECTRICAL CHARACTERISTICS(Cont.)

LR3965-3.3V

PARAMETER	SYMBOL	TEST CONDITIONS	MIN	TYP	MAX	UNIT
Input Voltage	V_{IN}		4.3		6	V
Output Voltage Accuracy (Preset Mode)	V_{OUT}	$T_a=25^{\circ}\text{C}$, $I_{OUT}=1\text{mA}\sim 1.5\text{A}$	-2		2	%
		$T_a=0\sim 85^{\circ}\text{C}$, $I_{OUT}=1\text{mA}\sim 1.5\text{A}$	-3		3	%
Maximum Output Current	I_{OUT}			1.5		A
Short-Circuit Current Limit	I_{LIMIT}			2.5		A
Ground Pin Current	I_{GND}	$I_{OUT}=0\text{mA}$		200		μA
		$I_{OUT}=1\text{mA}$ to 1.5A		250		μA
Dropout Voltage (Note)	V_D	$I_{OUT}=1.5\text{A}$			550	mV
Line Regulation	$\frac{\Delta V_{OUT}}{\Delta V_{IN} \times V_{OUT}}$	$V_{IN}=V_{OUT}+1\text{V}\sim 6\text{V}$			0.18	%/V
Load Regulation	ΔV_{OUT}	$V_{IN}=V_{OUT}+1\text{V}$, $I_{OUT}=10\text{mA}\sim 1.5\text{A}$			0.50	%
Output Voltage Noise	eN	$f=10\text{Hz}$ to 1MHz, $C_{OUT}=33\mu\text{F}$		300		μV_{RMS}
Shutdown Supply Current	I_{OFF}	SHDN = GND		0.01	5	μA
Shutdown Threshold	V_{IH}		1.6			V
	V_{IL}				0.6	V
Thermal Shutdown Temperature	T_{SHDN}			170		$^{\circ}\text{C}$
Thermal Shutdown Hysteresis	DT_{SHDN}			20		$^{\circ}\text{C}$
ADJ Voltage	V_{REF}	Measured on ADJ, $I_{OUT}=10\text{mA}$	0.774	0.8	0.826	V
ADJ Mode Threshold				80		mV
Adjustable Output Voltage			0.8		5	V

LR3965-5.0V

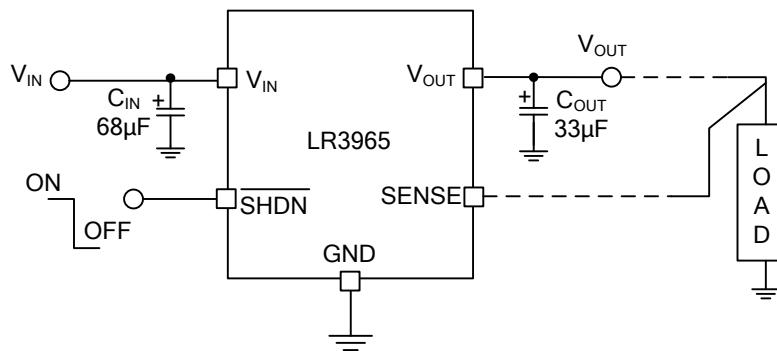
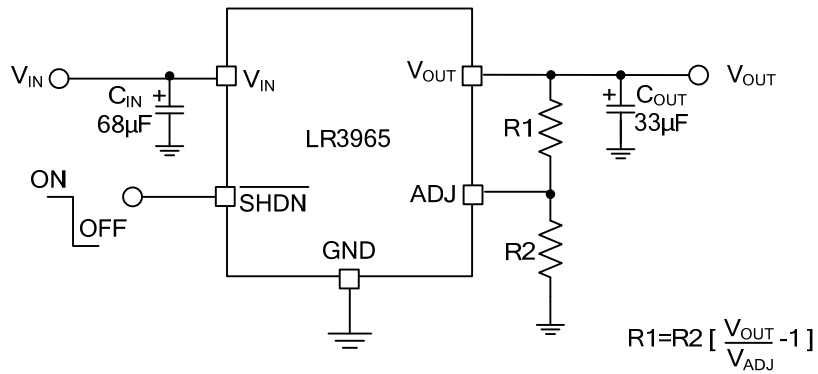
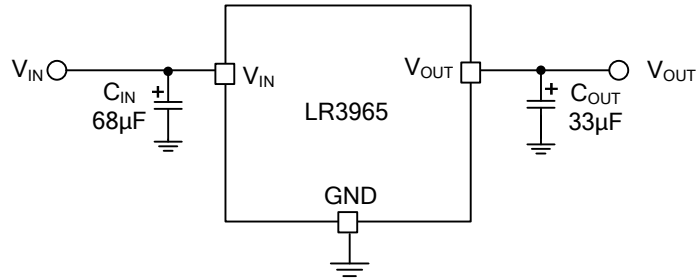
PARAMETER	SYMBOL	TEST CONDITIONS	MIN	TYP	MAX	UNIT
Input Voltage	V_{IN}		5.5		6	V
Output Voltage Accuracy (Preset Mode)	V_{OUT}	$T_a=25^{\circ}\text{C}$, $I_{OUT}=1\text{mA}\sim 1.5\text{A}$	-2		2	%
		$T_a=0\sim 85^{\circ}\text{C}$, $I_{OUT}=1\text{mA}\sim 1.5\text{A}$	-3		3	%
Maximum Output Current	I_{OUT}			1.5		A
Short-Circuit Current Limit	I_{LIMIT}	$V_{OUT}=0\text{V}$		2.5		A
Ground Pin Current	I_{GND}	$I_{OUT}=0\text{mA}$		200		μA
		$I_{OUT}=1\text{mA}$ to 1.5A		250		μA
Dropout Voltage (Note1)	V_D	$I_{OUT}=1.5\text{A}$			550	mV
Line Regulation(Note2)	$\frac{\Delta V_{OUT}}{\Delta V_{IN} \times V_{OUT}}$	$V_{IN}=V_{OUT}+V_D\sim 6\text{V}$			0.18	%/V
Load Regulation(Note2,3)	ΔV_{OUT}	$V_{IN}=V_{OUT}+1\text{V}$, $I_{OUT}=10\text{mA}\sim 1.5\text{A}$			0.50	%
Output Voltage Noise	eN	$f=10\text{Hz}$ to 1MHz, $C_{OUT}=10\mu\text{F}$		300		μV_{RMS}
Shutdown Supply Current	I_{OFF}	SHDN =GND		0.01	5	μA
Shutdown Threshold	V_{IH}		1.6			V
	V_{IL}				0.6	V
Thermal Shutdown Temperature	T_{SHDN}			170		$^{\circ}\text{C}$
Thermal Shutdown Hysteresis	DT_{SHDN}			20		$^{\circ}\text{C}$
ADJ Voltage	V_{REF}	Measured on ADJ, $I_{OUT}=10\text{mA}$	0.774	0.8	0.826	V
ADJ Mode Threshold				80		mV
Adjustable Output Voltage			0.8		5	V

Note 1: Dropout voltage is defined as the voltage from the input to output when output is 2% below the nominal value. Dropout voltage specification applies only to output voltages of 2.5V and above.

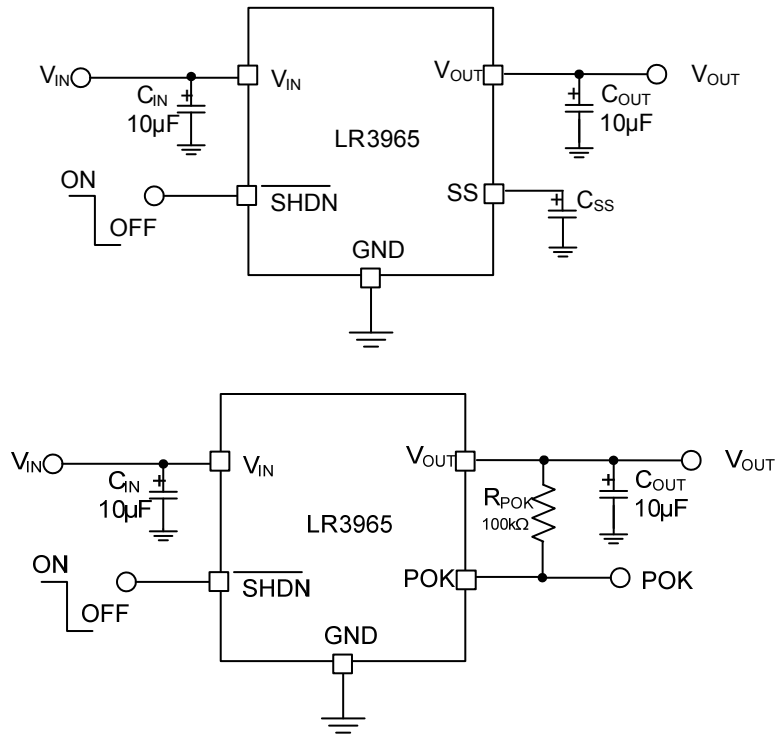
2: Output voltage line regulation is defined as the change in output voltage from the nominal value resulting from a change in the input line voltage. Output voltage load regulation is defined as the change in output voltage from the nominal value as the load current increases from no load to full load.

3: Regulation is measured at constant junction temperature by using a 20ms current pulse. Devices are tested for load regulation in the load range from 10mA to 1.5A

■ TYPICAL APPLICATION CIRCUIT

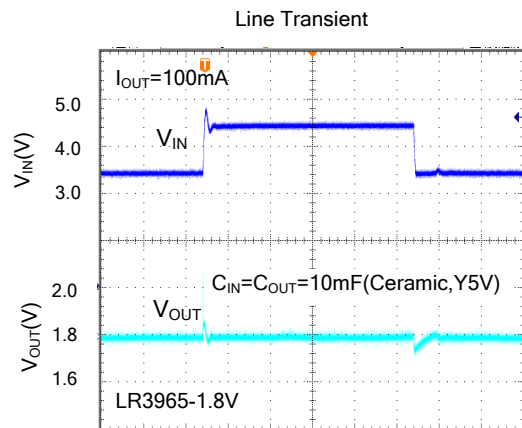
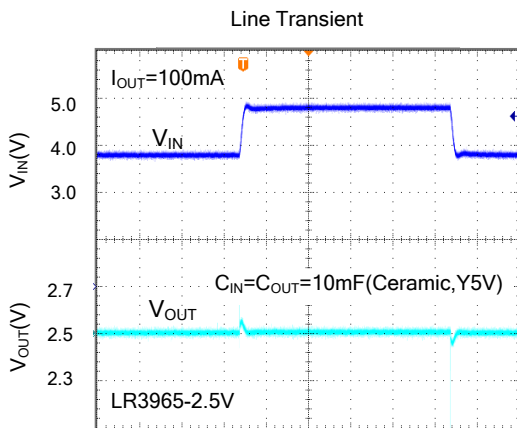
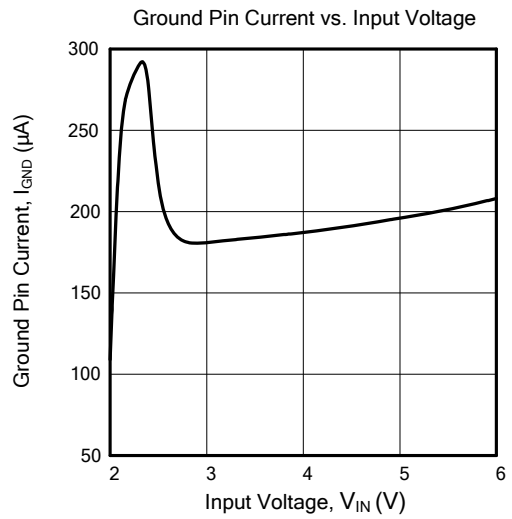
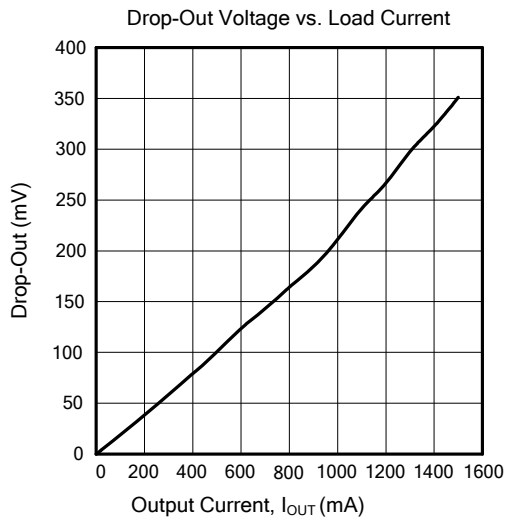
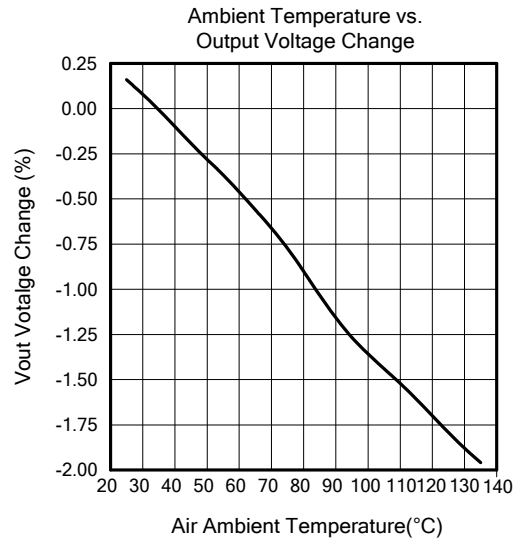
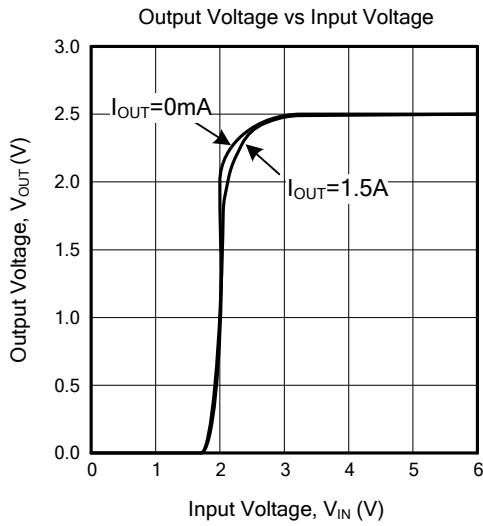


■ TYPICAL APPLICATION CIRCUIT (Cont.)

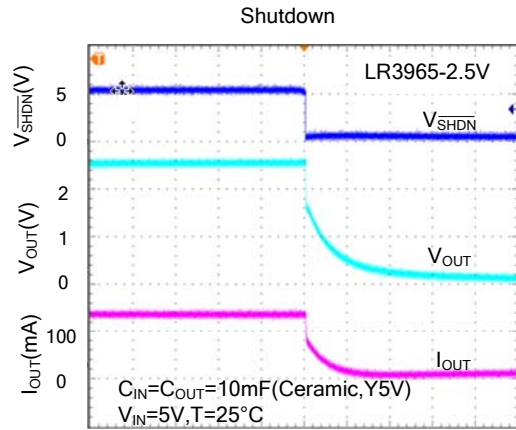
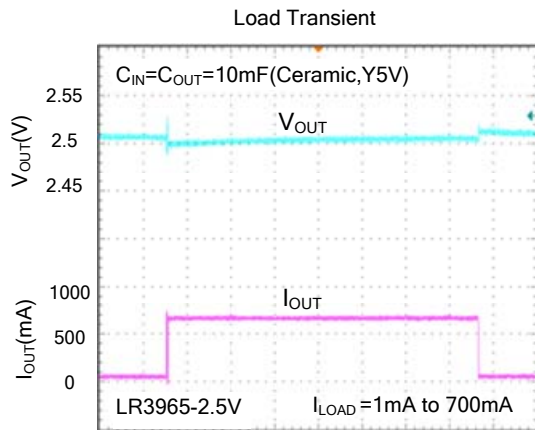


TYPICAL CHARACTERISTICS

($V_{IN} = V_{OUT} + 1V$ or $V_{IN} = 2.25V$ whichever is greater, $C_{IN} = 68\mu F$, $C_{OUT} = 33\mu F$, $T_a = 25^\circ C$, unless otherwise specified)



■ TYPICAL CHARACTERISTICS (Cont.)



UTC assumes no responsibility for equipment failures that result from using products at values that exceed, even momentarily, rated values (such as maximum ratings, operating condition ranges, or other parameters) listed in products specifications of any and all UTC products described or contained herein. UTC products are not designed for use in life support appliances, devices or systems where malfunction of these products can be reasonably expected to result in personal injury. Reproduction in whole or in part is prohibited without the prior written consent of the copyright owner. The information presented in this document does not form part of any quotation or contract, is believed to be accurate and reliable and may be changed without notice.