

Customer Information Sheet

DRAWING No.: M22-E04XXXX

SHEET 2 OF 2

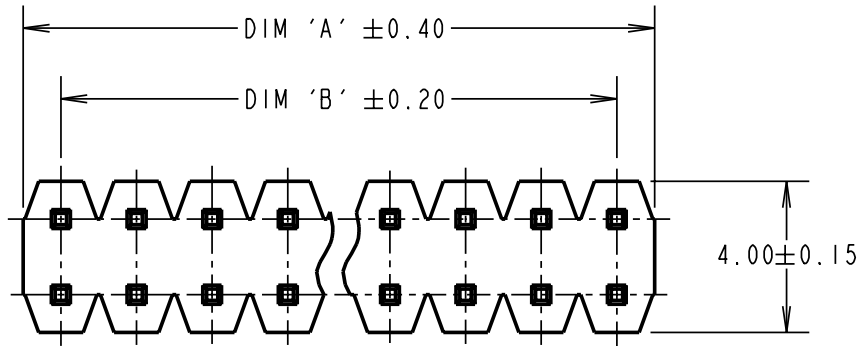
IF IN DOUBT - ASK

©

NOT TO SCALE

THIRD ANGLE PROJECTION

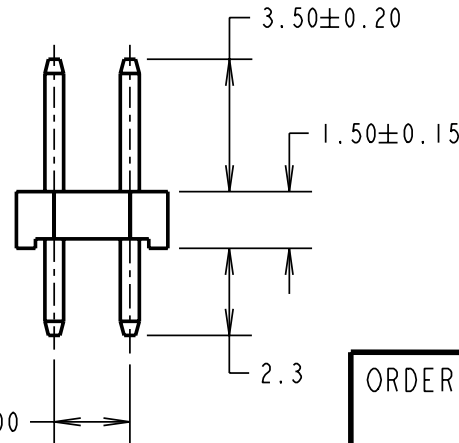
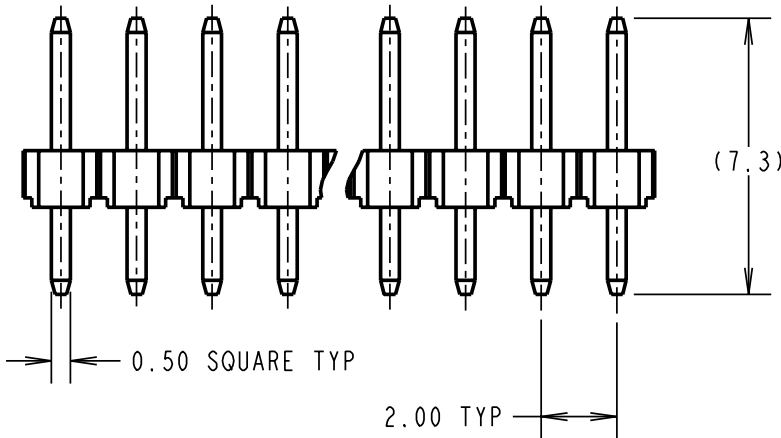
ALL DIMENSIONS IN mm



PART No.	No. OF CONTACTS	DIM 'A'	DIM 'B'
M22-E0402XX	2 + 2	4.00	2.00
M22-E0403XX	3 + 3	6.00	4.00
M22-E0404XX	4 + 4	8.00	6.00
M22-E0405XX	5 + 5	10.00	8.00
M22-E0406XX	6 + 6	12.00	10.00

SPECIFICATIONS:

MATERIAL:
 MOULDING = 30% GLASS-FILLED PA6T, UL94V-0, BLACK
 CONTACT = PHOSPHOR BRONZE
FINISH:
 CONTACT = GOLD OVER NICKEL
ELECTRICAL:
 CURRENT RATING = 1.5A
 CONTACT RESISTANCE:
 INITIAL = 20mΩ MAX
 AFTER CONDITIONING = 30mΩ MAX
 INSULATION RESISTANCE = 1,000MΩ MIN
 DIELECTRIC STRENGTH = 500V AC / 1 MINUTE
MECHANICAL:
 DURABILITY = 300 OPERATIONS
ENVIRONMENTAL:
 TEMPERATURE RANGE = -40°C TO +105°C
PACKING:
 BAG



Asia only

WJB	1	12.02.08	----
NAME	ISS.	DATE	C/NOTE
APPROVED:		R. ADDE	
CHECKED:		M. G. PLESTED	
DRAWN:		W. J. BOURNE	
CUSTOMER REF.:			
ASSEMBLY DRG.:			

ORDER CODE: **M22-E04XXXX**

No. OF CONTACTS PER ROW

FINISH

NOTES:
 1. RECOMMENDED PCB HOLE SIZE = $\varnothing 0.80 \pm 0.05$ mm.

HARWIN

HARWIN INC U.S.A. TEL: 603 893 5376 FAX: 603 893 5396 mis@harwin.com	HARWIN PLC Europe (U.K.) TEL: 023 9231 4545 FAX: 023 9231 4590 mis@harwin.co.uk	HARWIN PTE Asia (Singapore) TEL: +65 6779 4909 FAX: +65 6779 3868 mis@harwin.com.sg
--	---	---

THIS DRAWING AND ANY INFORMATION OR DESCRIPTIVE MATTER SET OUT HEREON ARE CONFIDENTIAL AND COPYRIGHT PROPERTY OF THE HARWIN GROUP AND MUST NOT BE DISCLOSED, LOANED, COPIED OR USED FOR MANUFACTURING, TENDERING OR FOR ANY OTHER PURPOSE WITHOUT THEIR WRITTEN PERMISSION.

TOLERANCES
 X. = ± 1 mm
 X.X = ± 0.25 mm
 X.XX = ± 0.10 mm
 X.XXX = ± 0.01 mm
 ANGLES = $\pm 5^\circ$
 UNLESS STATED

MATERIAL:
 SEE ABOVE
FINISH: SEE ABOVE
S/AREA: mm²

TITLE:
 2.00mm PITCH DIL VERTICAL PC TAIL PIN HEADER
DRAWING NUMBER:
M22-E04XXXX
 SHT 2 OF 2