

Multilayer Chip Inductors

Special Features

- Ceramic core, wire wound for superior reliability
- High self resonant frequency
- Very stable electrical characteristic
- Flat top surface for automated pick & place
- Operation temperature -40 to +125°C
- Tape & reel packaged 10,000/reel

Typical Applications

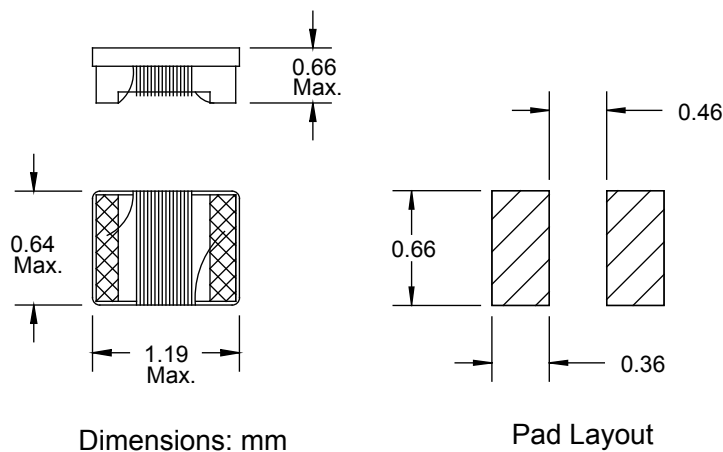
- Small cellular phones
- PDA
- Pagers
- Hand-held organizers
- High frequency wireless communication devices
- Laptop computers
- Network cards
- Industrial electronics
- Entertainment electronic devices

Notes

* Current to cause approx. 15°C of temperature rise

PM0402C Series							
Part Number	L (nH) ±0.3 nH	Q Min	Test Freq. (MHz)	Q Typ. @900 (MHz)	SRF (MHz) Min.	DCR Ω Max.	I _{dc} * (mA)
PM0402C-1N0	1.0	16	250	77	6000	0.045	1360
PM0402C-2N0	2.0	16	250	54	6000	0.070	1040
PM0402C-2N2	2.2	19	250	59	6000	0.070	960
PM0402C-3N3	3.3	19	250	65	6000	0.066	840
PM0402C-3N6	3.6	19	250	45	6000	0.066	840
PM0402C-3N9	3.9	19	250	50	5800	0.066	840
±5%							
PM0402C-5N1J	5.1	20	250	56	5800	0.083	800
PM0402C-5N6J	5.6	20	250	54	5800	0.083	760
PM0402C-6N2J	6.2	20	250	52	5800	0.083	760
PM0402C-7N5J	7.5	22	250	60	5800	0.104	680
PM0402C-8N2J	8.2	22	250	57	4400	0.104	680
PM0402C-9N0J	9.0	22	250	62	4160	0.104	680
PM0402C-10NJ	10	21	250	50	3900	0.195	480
PM0402C-11NJ	11	24	250	52	3680	0.120	640
PM0402C-12NJ	12	24	250	53	3600	0.120	640
PM0402C-15NJ	15	24	250	55	3280	0.172	560
PM0402C-19NJ	19	24	250	50	3040	0.202	480
PM0402C-23NJ	23	24	250	49	2720	0.214	400
PM0402C-27NJ	27	24	250	49	2480	0.298	400
PM0402C-36NJ	36	24	250	44	2320	0.403	320
PM0402C-40NJ	40	24	250	44	2240	0.438	320
PM0402C-47NJ	47	20	250	38	2100	0.830	150

Also available as RoHS compliant.



J.W. Miller
MAGNETICS

306 E. Alondra Blvd. Gardena, CA 90247-1059 • Phone (310) 515-1720 • FAX (310) 515-1962

www.jwmiller.com