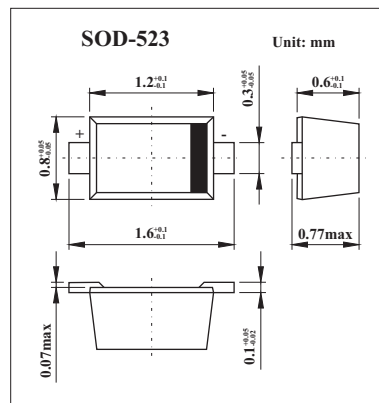


RB501S-40

■ Features

- Small surface mounting type.
- Low V_F .
- High reliability.



■ Absolute Maximum Ratings $T_a = 25^\circ\text{C}$

Parameter	Symbol	Rating	Unit
Peak reverse voltage	V_{RM}	45	V
DC reverse voltage	V_R	40	V
Mean rectifying current	I_o	0.1	A
Peak forward surge current	I_{FSM}	1	A
Junction temperature	T_j	125	$^\circ\text{C}$
Storage temperature	T_{stg}	-40 to +125	$^\circ\text{C}$

■ Electrical Characteristics $T_a = 25^\circ\text{C}$

Parameter	Symbol	Testconditions	Min	Typ	Max	Unit
Forward voltage	V_F	$I_F=100\text{mA}$ $I_F=10\text{mA}$			0.80 0.55	V
Reverse current	I_R	$V_R=10\text{V}$			30	μA
Capacitance between terminals	C_T	$V_R=10\text{V}, f=1\text{MHz}$		6.0		pF

■ Marking

Marking	4
---------	---