

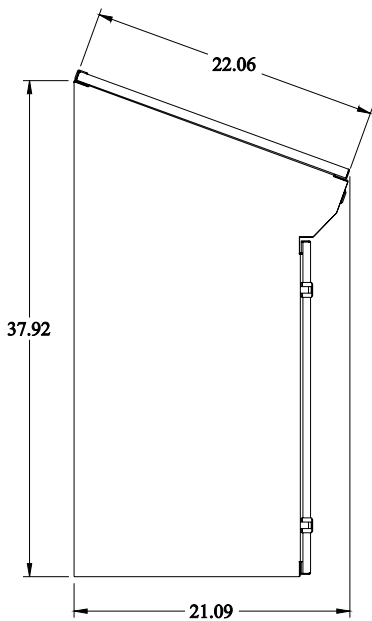


PART No. 2CLC2036

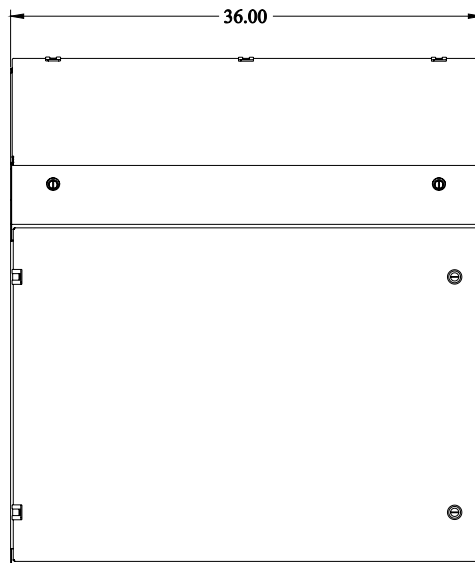
for more information visit
www.hammfg.com

Data subject to change without notice

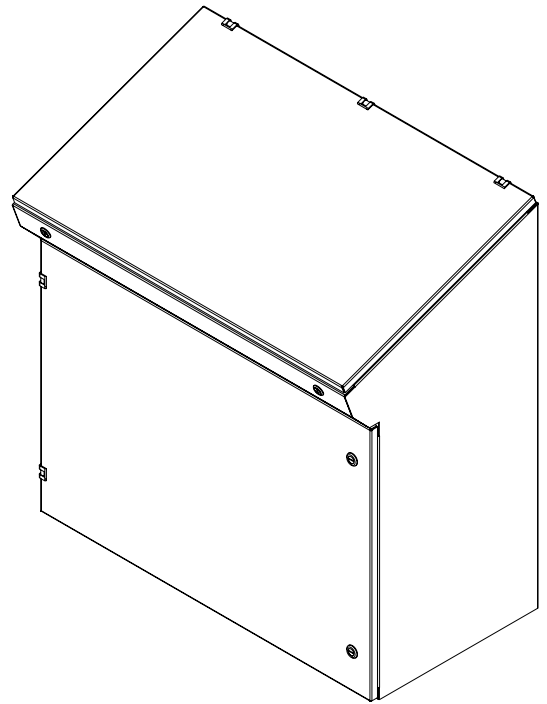
Isometric drawing Not to Scale



LEFT SIDE VIEW



FRONT VIEW



ISOMETRIC VIEW