



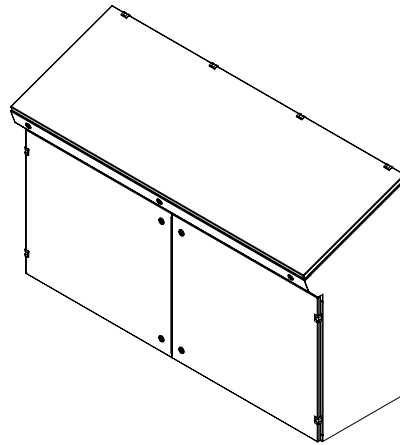
**PART No. 2CLC2060**

for more information visit

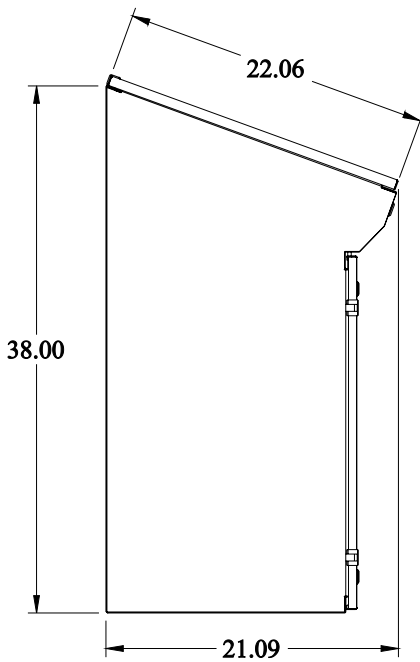
[www.hammfg.com](http://www.hammfg.com)

Data subject to change without notice

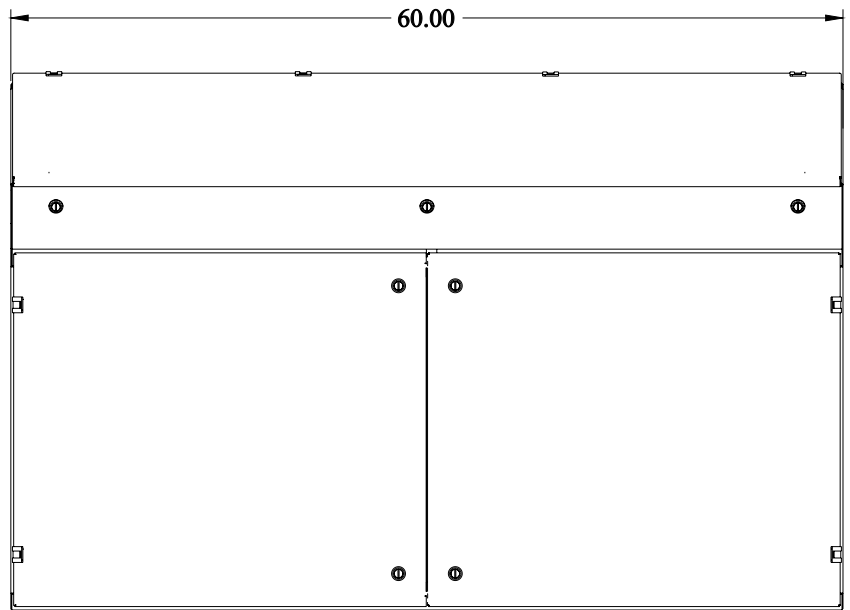
Isometric drawing Not to Scale



**ISOMETRIC VIEW**



**LEFT SIDE VIEW**



**FRONT VIEW**