

## ATC HP 0805 Series High Performance NPO Ceramic MLCS

### Electrical Characteristics:

**Capacitance Range:** 1.0 pF to 160 pF @ 1 MHz

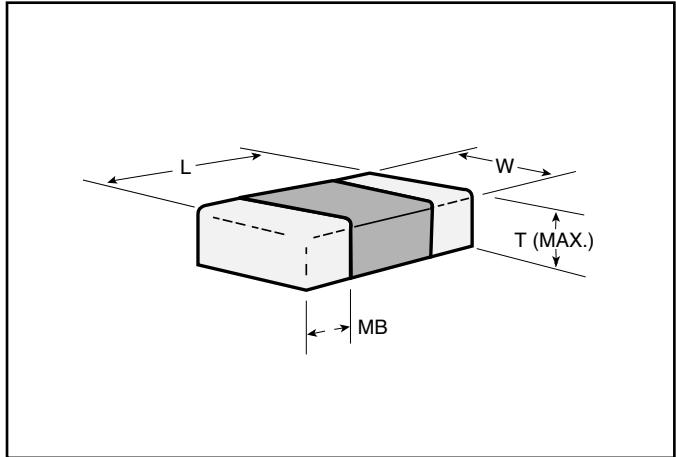
**Temperature Coefficient of Capacitance:**  $0 \pm 30$  ppm/°C (-55° to +125°C)

**Insulation Resistance (IR)**  $10^{12}$  min. @ 25°C and rated WVDC  
 $10^{11}$  min. @ 125°C and rated WVDC

**Dielectric Working Voltage (DWV):** 250% of rated WVDC

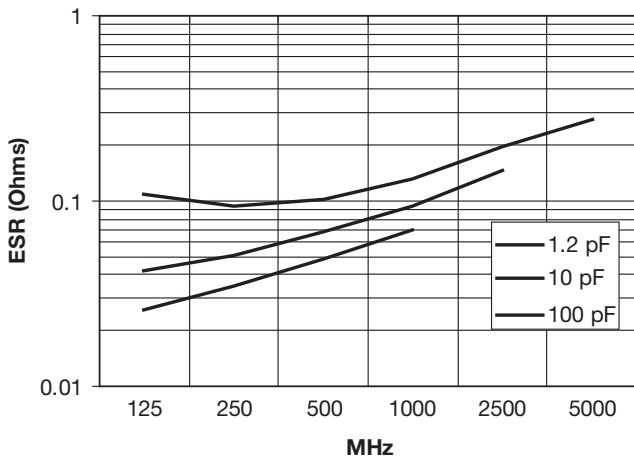
**Working Voltage (WVDC)** 250 WVDC

ATC offers the new HP Series high performance family of MLC ceramic capacitors. Built in a rugged ceramic SMT package, these products deliver high performance at the right price. The HP series is available in four popular EIA case sizes and is suitable for tuning, DC blocking, coupling and bypassing over the full range of wireless frequencies. All HP Series products are RoHS compliant.

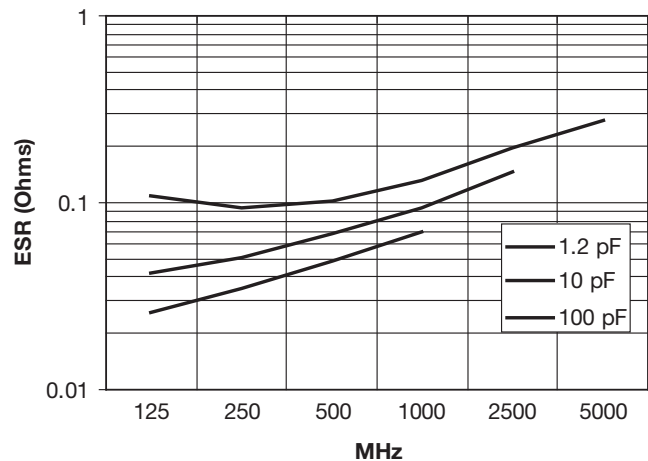


Case Size	0805
Length (L)	0.079 ±0.008 (2.01 ±0.2)
Width (W)	0.049 ±0.008 (1.25 ±0.2)
T Max.	0.040 ±0.005 (1.02 ±0.127)
Term. (MB) Max.	0.020 ±0.010 (0.51 ±0.254)

**TYPICAL ESR vs. FREQUENCY  
HP SERIES 0805**



**TYPICAL ESR vs. FREQUENCY  
HP SERIES 0805**



**A M E R I C A N T E C H N I C A L C E R A M I C S**

ATC North America  
sales@atceramics.com

ATC Europe  
saleseur@atceramics.com

ATC Asia  
sales@atceramics-asia.com

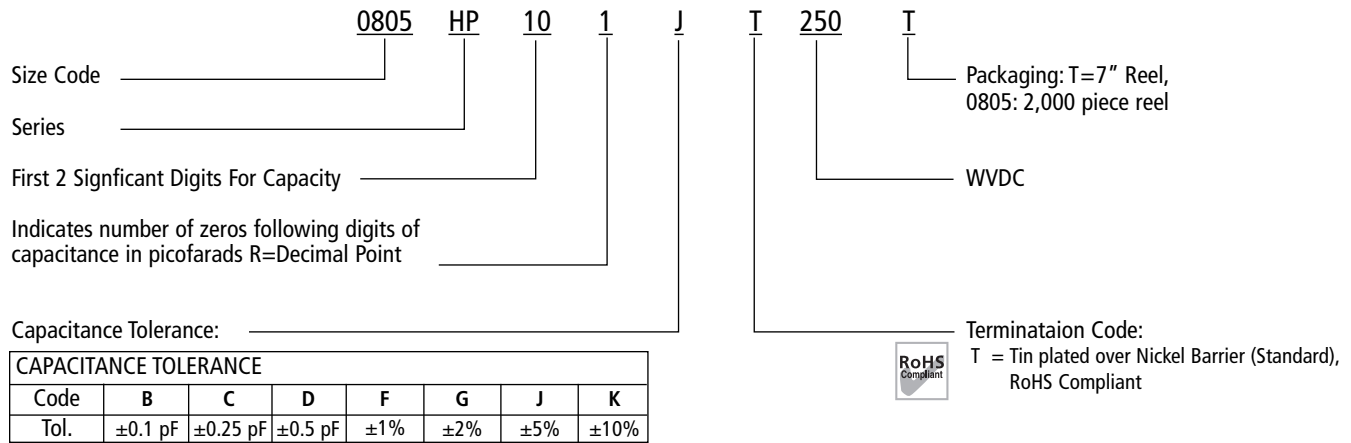
www.atceramics.com

# ATC HP 0805 SERIES HIGH PERFORMANCE NPO CERAMIC MLCS

## Capacitance Values:

CAP. CODE	CAP. (pF)	TOL.	RATED WVDC	CAP. CODE	CAP. (pF)	TOL.	RATED WVDC	CAP. CODE	CAP. (pF)	TOL.	RATED WVDC	CAP. CODE	CAP. (pF)	TOL.	RATED WVDC
1R0	1.0			3R0	3.0			110	11			470	47		
1R1	1.1			3R3	3.3			120	12			510	51		
1R2	1.2			3R6	3.6			130	13			560	56		
1R3	1.3			3R9	3.9			150	15			680	68		
1R4	1.4			4R3	4.3	B, C, D		180	18			750	75		
1R5	1.5			4R7	4.7			200	20			820	82		
1R6	1.6			5R1	5.1			220	22			910	91		
1R7	1.7	B, C, D	250	5R6	5.6		250	240	24	F, G, J, K	250	101	100	F, G, J, K	250
1R8	1.8			6R2	6.2			270	27			111	110		
1R9	1.9			6R8	6.8			300	30			121	120		
2R0	2.0			7R5	7.5	B, C		330	33			131	130		
2R1	2.1			8R2	8.2			360	36			141	140		
2R2	2.2			9R1	9.1			390	39			151	150		
2R4	2.4			100	10	F, G, J, K		430	43			161	160		
2R7	2.7														

### Part Number Code



The above part number refers to an ATC HP 0805 Series 100 pF capacitor, F tolerance (±1%), 250 WVDC, with T termination (Tin Plated over Nickel Barrier), on 7 inch reel.

For additional information and catalogs contact your ATC representative or call direct at (+1-631) 622-4700. Consult factory for additional performance data.

Sales of ATC products are subject to the terms and conditions contained in American Technical Ceramics Corp. Terms and Conditions of Sale(ATC document #001-992 Rev. B 12/05). Copies of these terms and conditions will be provided upon request. They may also be viewed on ATC's website at [www.atceramics.com/productfinder/default.asp](http://www.atceramics.com/productfinder/default.asp). Click on the link for Terms and Conditions of Sale.

ATC has made every effort to have this information as accurate as possible. However, no responsibility is assumed by ATC for its use, nor for any infringements of rights of third parties which may result from its use. ATC reserves the right to revise the content or modify its product without prior notice.

© 2011 American Technical Ceramics. All Rights Reserved.

Excerpt from ATC 001-1103 Rev. C; 7/12

**A M E R I C A N T E C H N I C A L C E R A M I C S**

ATC North America  
sales@atceramics.com

ATC Europe  
saleseur@atceramics.com

ATC Asia  
sales@atceramics-asia.com

[www.atceramics.com](http://www.atceramics.com)