

BBS-3001-O

Heat Pipe, Fanless PC with Core™ 2 Duo, 3 COM, 6 USB, 12V DC Adapter



Features

- » Heat pipe, fanless PC design
- » Supports Intel® Core™ 2 Duo processor TDP ≤ 25W
- » VGA, DVI, HDMI, dual Gigabit Ethernet, Audio port
- » 1 x 2.5" SATA HDD space, 1 x slim CD-ROM space
- » 3 x COM port, 6 x USB2.0 port
- » 12V DC adapter
- » Option for Wireless LAN module

System

SBC

HS-1755A

CPU

Intel® Core™ 2 Duo processor P7350 2.0GHz (option)

System Chipset

Intel® GM45/ICH9-M

System Memory

2 x 200-pin SO-DIMM, DDR2 800/667MHz, Max. 4GB

Display Interface:

- 1 x D-SUB 15-pin
- 1 x DVI
- 1 x HDMI

Audio Interface

Audio jack for MIC In, Line Out, Line In

Ethernet Interface

- 2 x RJ-45 for Gigabit Ethernet
- 1 x USB wireless LAN module (option)

Storage

- 1 x 2.5" SATA HDD space
- 1 x slim CD-ROM space

Watchdog Timer

Software programmable time-out intervals from 1~255 sec. or 1~255 min.

H/W Status Monitor

Monitoring temperatures, voltages status

Thermal System

Heat pipe

Power

- 12V 84W DC adapter
- +10~30V DC IN (option)

Operating/Storage Temperature

0~45°C/-20~+70°C

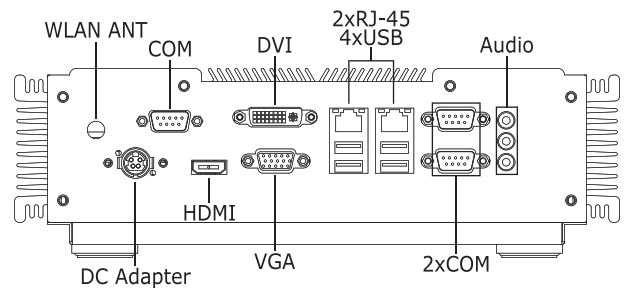
Certification

FCC/CE Class A compliance

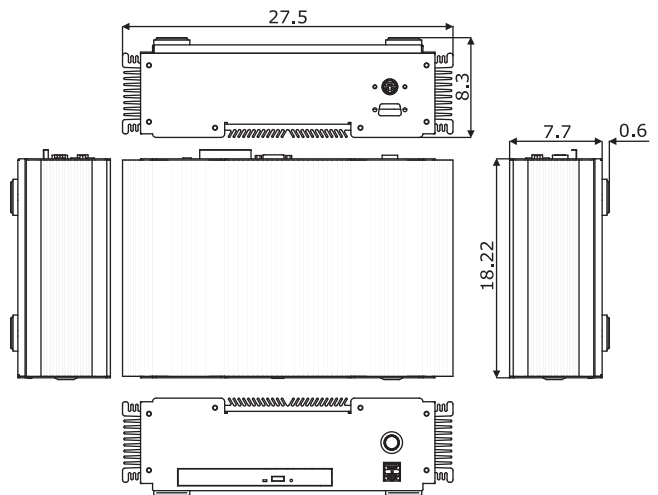
Dimensions

27.5(L) x 8.3(H) x 18.22(W) cm

I/O Interface



Dimensions (unit:cm)



Ordering Information

BBS-3001-O

Heat Pipe, Fanless PC w/3 COM, 6 USB, 12V DC Adapter

Accessory Options

CPU, Memory Module, Wireless LAN Module, 2.5" HDD, Slim CD-ROM