

# BBS-3001-Q

Heat Pipe, Fanless PC with Core™ Duo, 4 COM, 6 USB, 12V DC Adapter



Bare Bone

## Features

- » Heat pipe, fanless PC design
- » Supports Intel® Core™ Duo processor TDP ≤ 34W
- » VGA, DVI, dual Gigabit Ethernet, Audio port
- » 1 x 2.5" SATA HDD space, 1 x slim CD-ROM space
- » 1 x CF socket
- » 4 x COM port, 6 x USB2.0 port
- » 12V DC Adapter

## System

### SBC

HS-1750

### CPU

Intel® Core™ Duo processor T2050 1.6GHz (option)

### System Chipset

Intel® 945GME/ICH7-M

### System Memory

2 x 200-pin SO-DIMM, DDR2 667/533MHz, Max. 4GB

### Display Interface:

1 x D-SUB 15-pin

1 x DVI

### Audio Interface

Audio jack for MIC In, Line Out, Line In

### Ethernet Interface

2 x RJ-45 for Gigabit Ethernet

### Storage

1 x 2.5" SATA HDD space

1 x slim CD-ROM space

1 x Type II CF socket

### Watchdog Timer

Software programmable time-out intervals from 1~255 sec. or 1~255 min.

### H/W Status Monitor

Monitoring temperatures, voltages status

### Thermal System

Heat pipe

### Power

12V 84W DC adapter

+10~30V DC IN (option)

### Operating/Storage Temperature

0~45°C/-20~+70°C

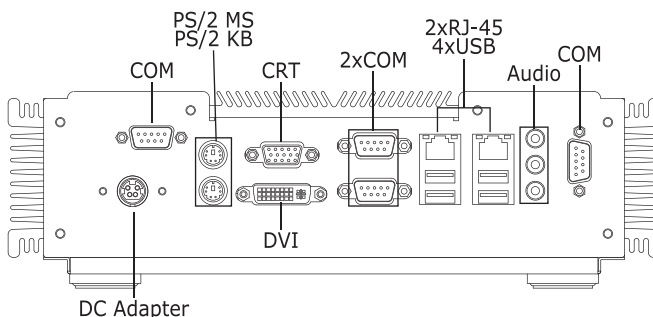
### Certification

FCC/CE Class A compliance

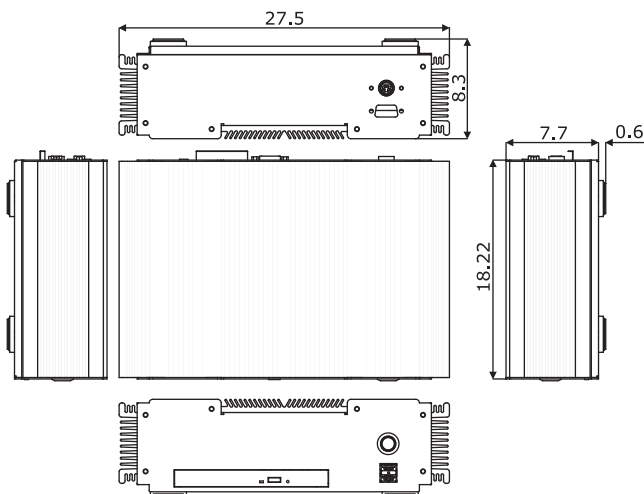
### Dimensions

27.5(L) x 8.3(H) x 18.22(W) cm

## I/O Interface



## Dimensions (unit:cm)



## Ordering Information

### BBS-3001-Q

Heat Pipe, Fanless PC w/4 COM, 6 USB, 12V DC Adapter

### Accessory Options

CPU, Memory Module, CF Module, 2.5" SATA HDD, Slim CD-ROM