

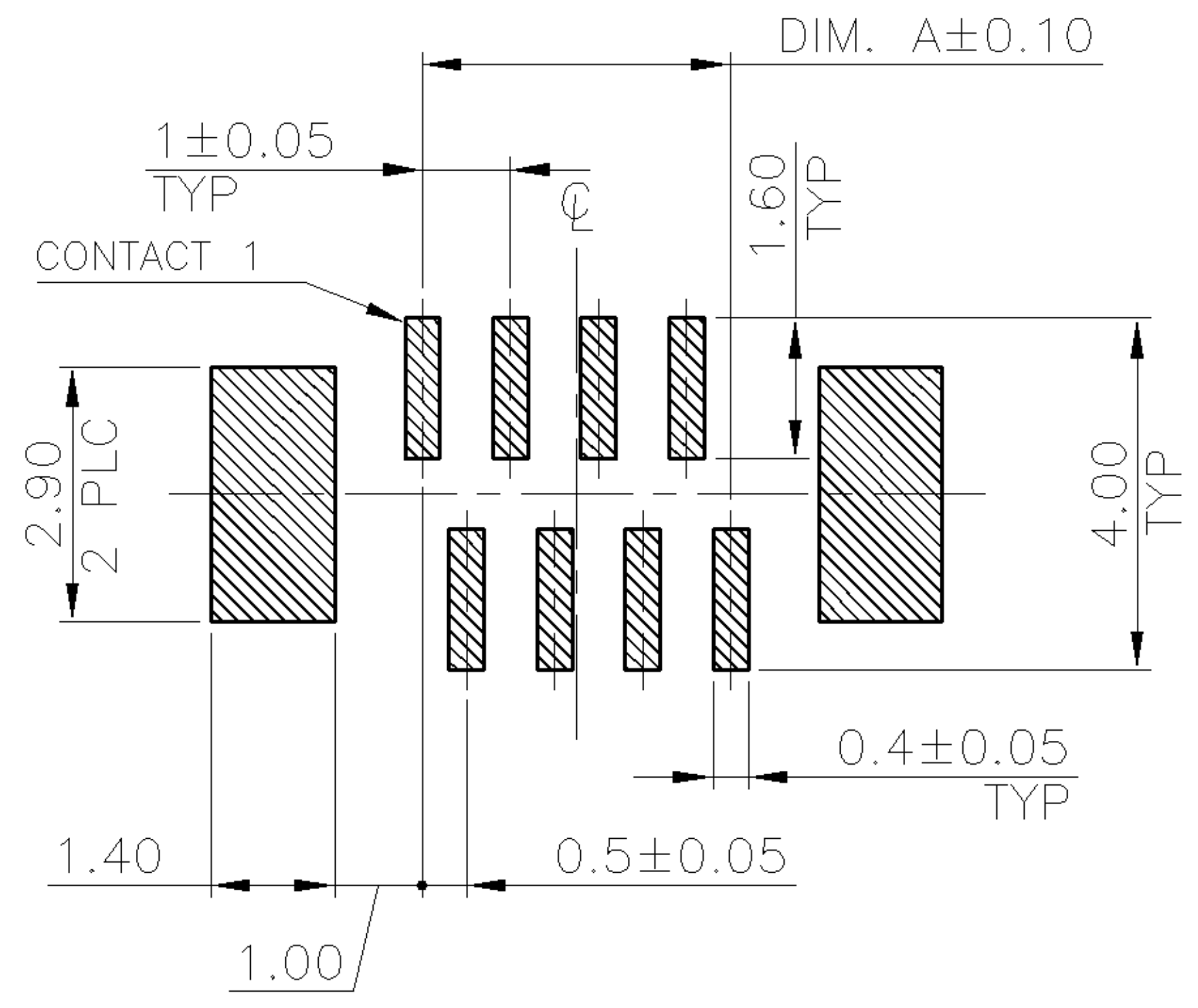
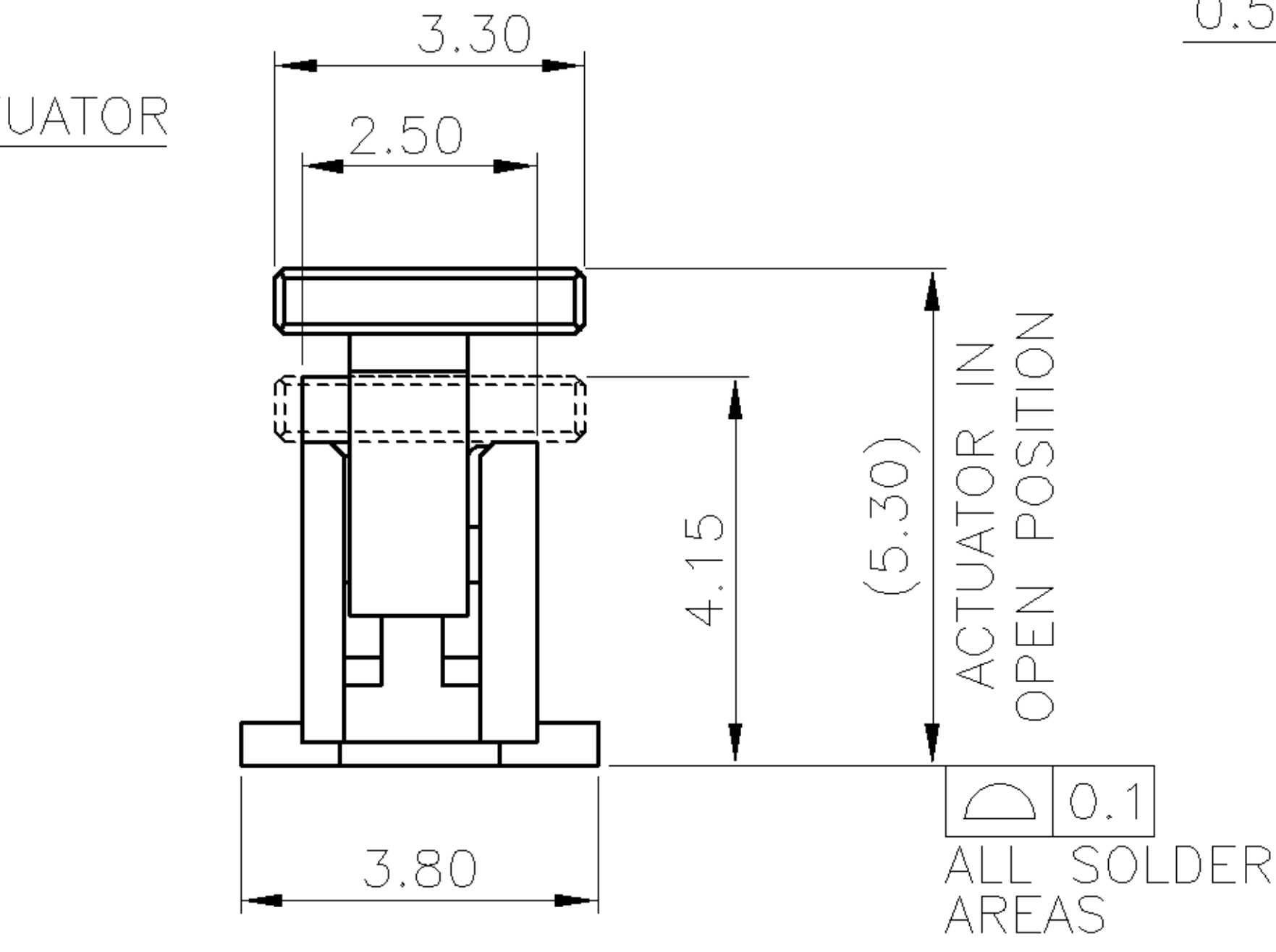
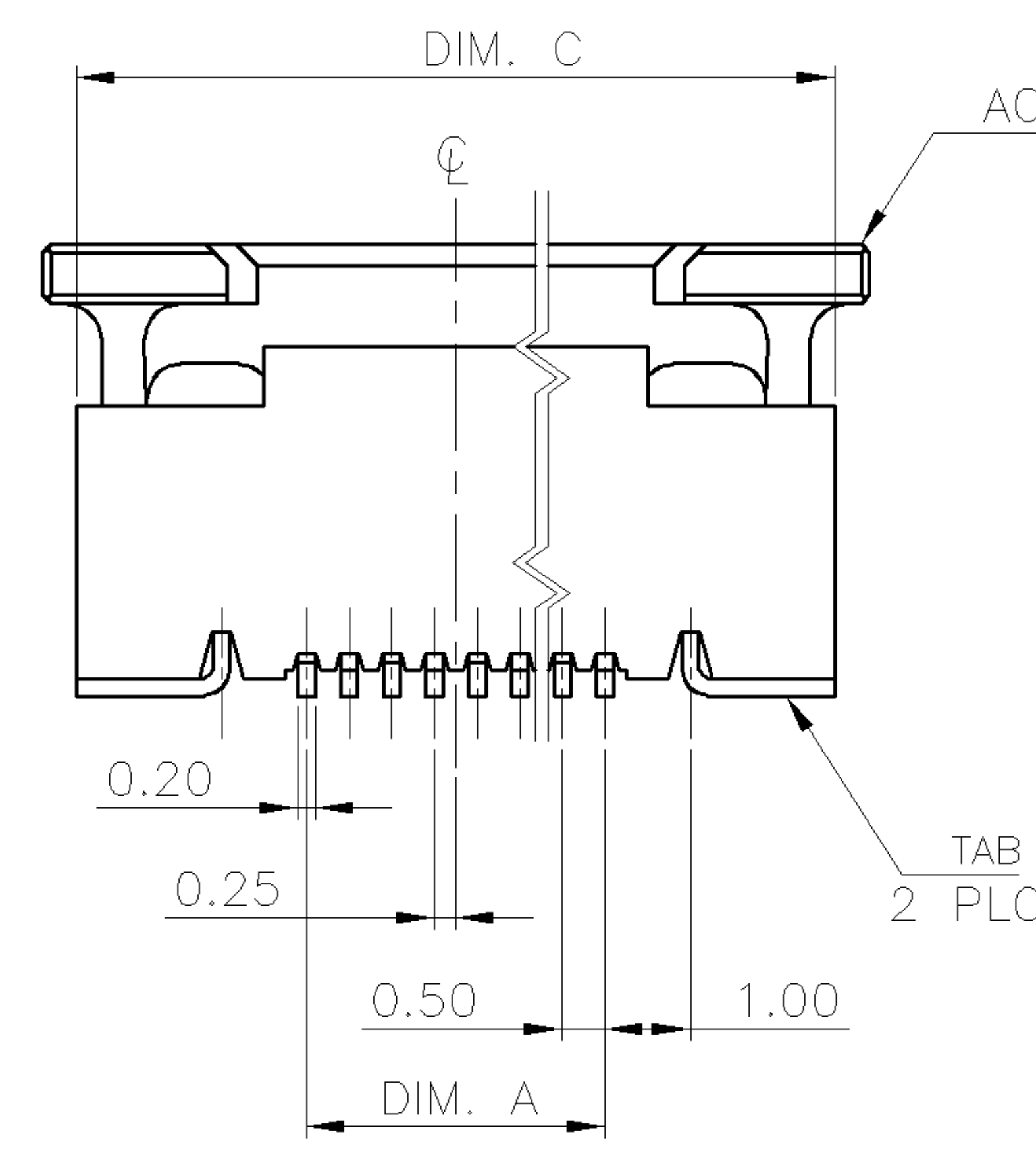
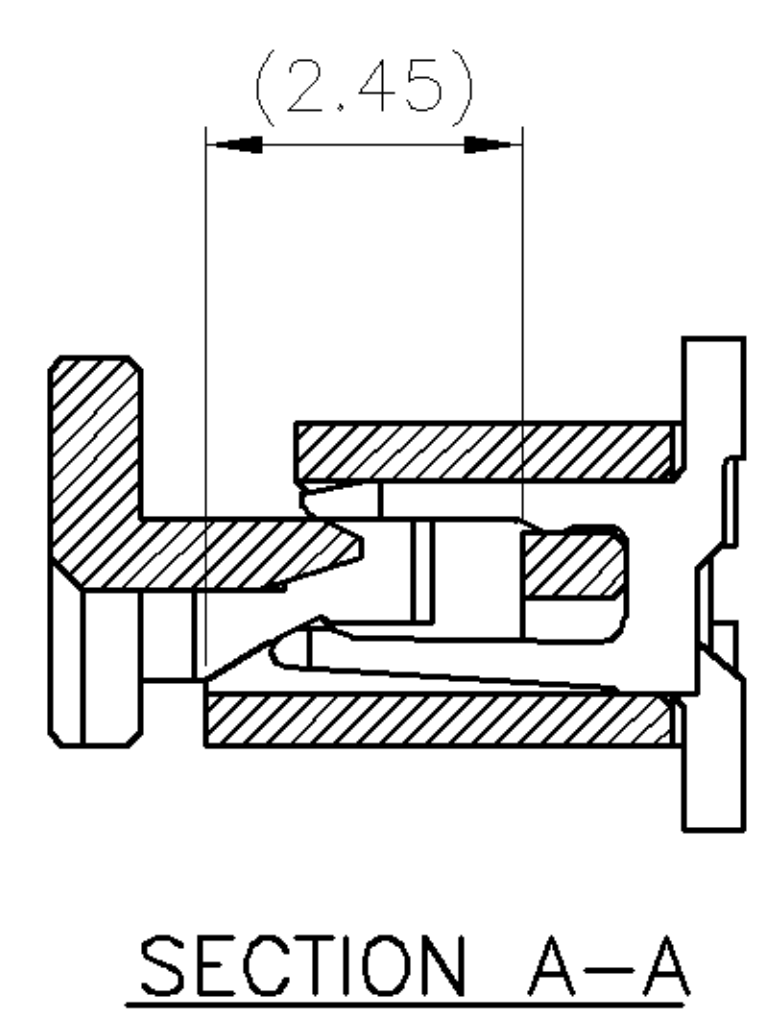
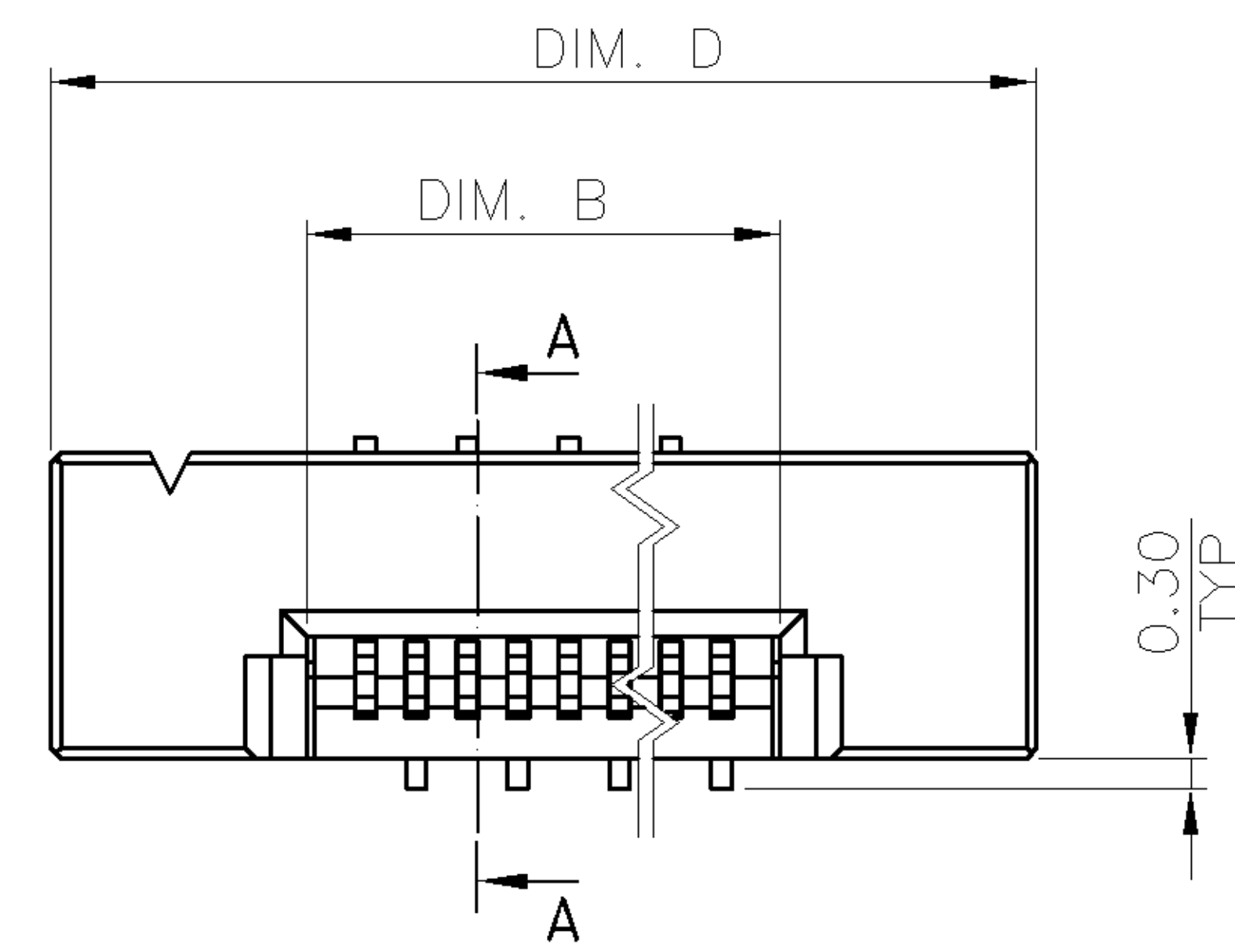
NUMBER
C-1734741

3RD ANGLE PROJECTION

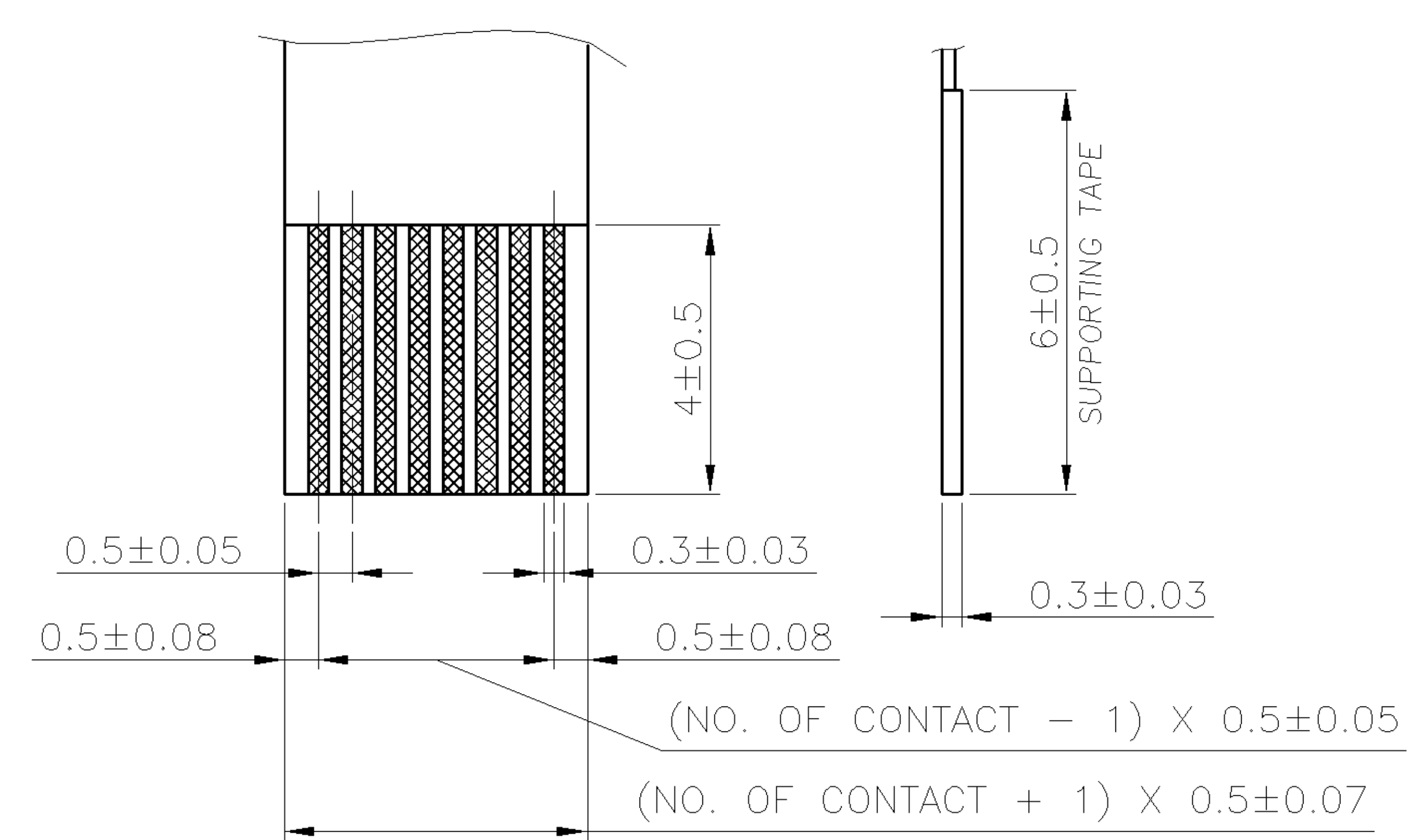
METRIC

THIS INFORMATION IS CONFIDENTIAL AND IS DISCLOSED TO YOU ON CONDITION THAT NO FURTHER DISCLOSURE IS MADE BY YOU TO OTHER THAN AMP PERSONNEL WITHOUT WRITTEN AUTHORIZATION FROM AMP (TAIWAN) LTD. DIMENSIONS IN MILLIMETERS. DO NOT SCALE PRINT.

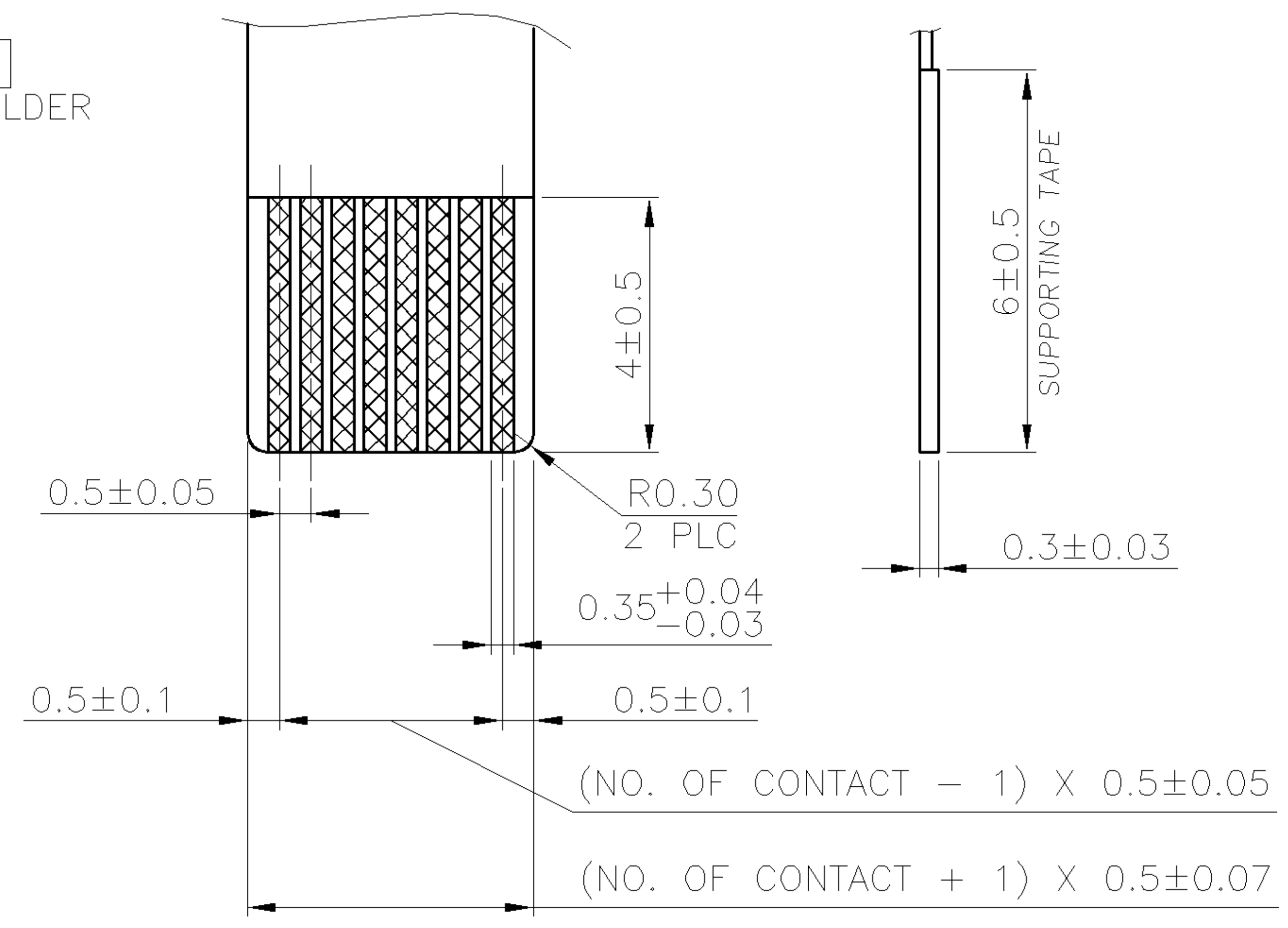
PRINT
DW



RECOMMENDED PCB LAYOUT (TYPE B)
(TOLERANCE: ±0.05)



RECOMMENDED FFC LAYOUT



RECOMMENDED FPC LAYOUT

WEIGHT	D	C	B	A	NO. OF CONTACTS	PART NUMBER
0.52g	25.70	24.90	20.65	19.50	40	4-1734741-0
0.51g	25.20	24.40	20.15	19.00	39	3-1734741-9
0.50g	24.70	23.90	19.65	18.50	38	3-1734741-8
0.49g	24.20	23.40	19.15	18.00	37	3-1734741-7
0.48g	23.70	22.90	18.65	17.50	36	3-1734741-6
0.46g	23.20	22.40	18.15	17.00	35	3-1734741-5
0.45g	22.70	21.90	17.65	16.50	34	3-1734741-4
0.44g	22.20	21.40	17.15	16.00	33	3-1734741-3
0.43g	21.70	20.90	16.65	15.50	32	3-1734741-2
0.42g	21.20	20.40	16.15	15.00	31	3-1734741-1
0.41g	20.70	19.90	15.65	14.50	30	3-1734741-0
0.40g	20.20	19.40	15.15	14.00	29	2-1734741-9
0.39g	19.70	18.90	14.65	13.50	28	2-1734741-8
0.38g	19.20	18.40	14.15	13.00	27	2-1734741-7
0.37g	18.70	17.90	13.65	12.50	26	2-1734741-6
0.36g	18.20	17.40	13.15	12.00	25	2-1734741-5
0.34g	17.70	16.90	12.65	11.50	24	2-1734741-4
0.33g	17.20	16.40	12.15	11.00	23	2-1734741-3
0.32g	16.70	15.90	11.65	10.50	22	2-1734741-2
0.31g	16.20	15.40	11.15	10.00	21	2-1734741-1
0.30g	15.70	14.90	10.65	9.50	20	2-1734741-0
0.29g	15.20	14.40	10.15	9.00	19	1-1734741-9
0.28g	14.70	13.90	9.65	8.50	18	1-1734741-8
0.27g	14.20	13.40	9.15	8.00	17	1-1734741-7
0.26g	13.70	12.90	8.65	7.50	16	1-1734741-6
0.25g	13.20	12.40	8.15	7.00	15	1-1734741-5
0.24g	12.70	11.90	7.65	6.50	14	1-1734741-4
0.22g	12.20	11.40	7.15	6.00	13	1-1734741-3
0.21g	11.70	10.90	6.65	5.50	12	1-1734741-2
0.20g	11.20	10.40	6.15	5.00	11	1-1734741-1
0.19g	10.70	9.90	5.65	4.50	10	1-1734741-0
0.18g	10.20	9.40	5.15	4.00	9	1734741-9
0.17g	9.70	8.90	4.65	3.50	8	1734741-8
0.16g	9.20	8.40	4.15	3.00	7	1734741-7
0.15g	8.70	7.90	3.65	2.50	6	1734741-6

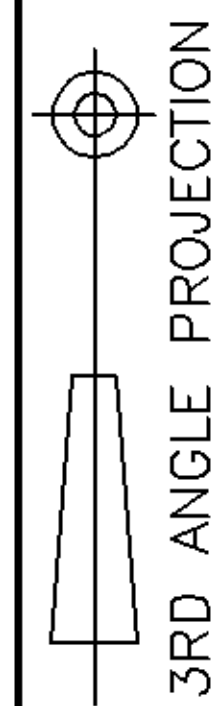
NOTE:

- MATERIAL:
HOUSING: THERMOPLASTIC WITH 33% GF, UL 94V-0, BLACK COLOR.
ACTUATOR: THERMOPLASTIC, UL 94V-0, BROWN COLOR.
CONTACTS: PHOSPHOR BRONZE.
TABS: BRASS.
- FINISH:
CONTACTS: GOLD FLASH OVER 50μ" MIN. NICKEL ON ENTIRE CONTACT.
TABS: 120μ" MIN. MATTE-TIN OVER 50μ" MIN. NICKEL.
- REFLOW SOLDER CAPABLE TO 260°C AS PER TYCO SPEC. 109-201, CONDITION B.
- NO TYCO LOGO AND DATE CODE ON THE PRODUCT.

O	FIRST RELEASED	--	AW SH	01DEC 2005
LTR	REVISION RECORD	ECN	DWN CHK	DATE

TOLERANCES UNLESS OTHERWISE SPECIFIED: 0 PLC ±- 1 PLC ±0.2 2 PLC ±0.1 3 PLC ±0.05 ANGLES ±3'	DWN A. WU 01-DEC-2005	tyco TYCO HOLDINGS (BERMUDA) Electronics VII LTD. TAIWAN BRANCH NAME	
MATERIAL SEE NOTE	CHK S. HOU 01-DEC-2005	FPC/FFC CONN., 0.5 MM PITCH, ZIF, VERTICAL, SMT, TYPE B	
FINISH SEE NOTE	APVD W.J. KE 01-DEC-2005	PRODUCT SPEC 108-57324	QUALIFICATION TEST REPORT 501-57364
	WEIGHT -	LOC DW SCALE --	DRAWING NO C-1734741 SHEET 1 OF 2

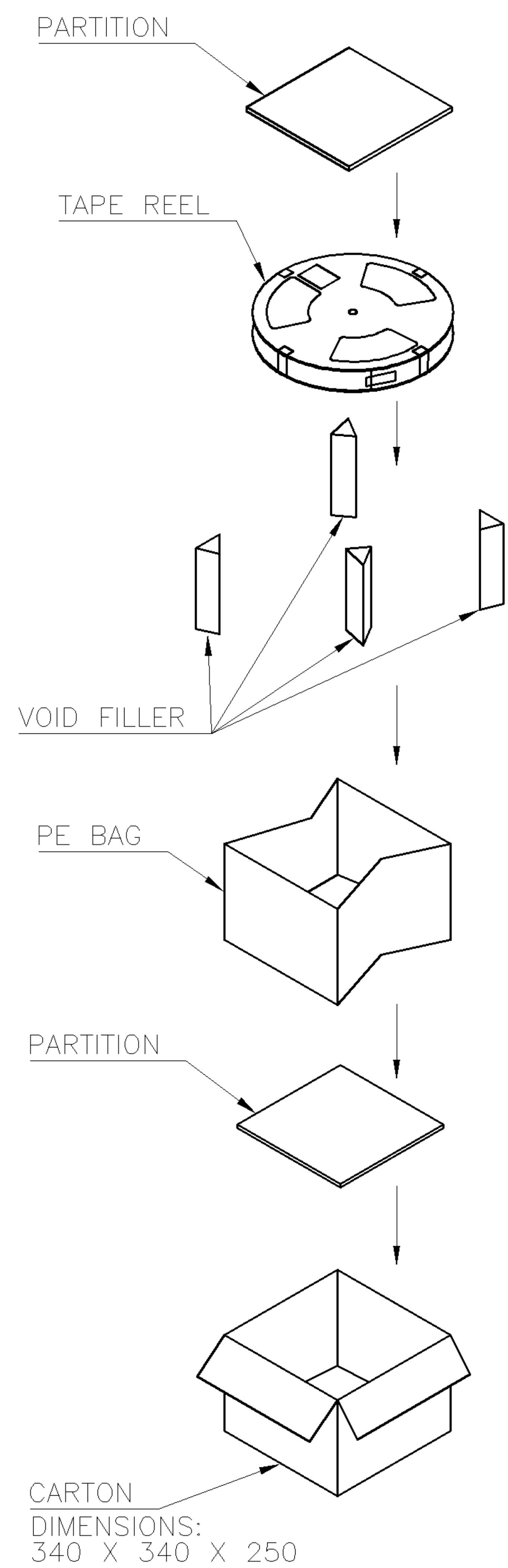
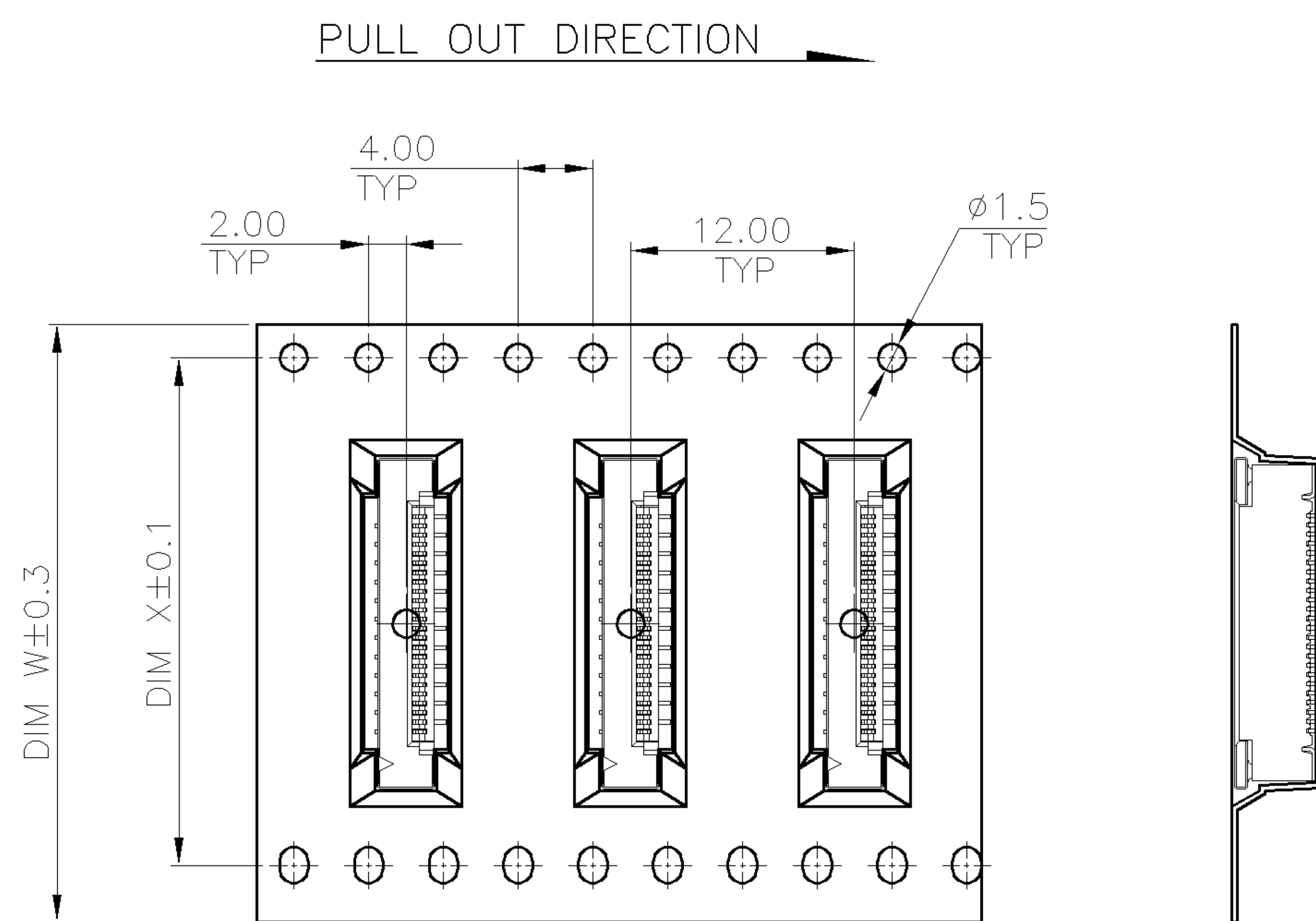
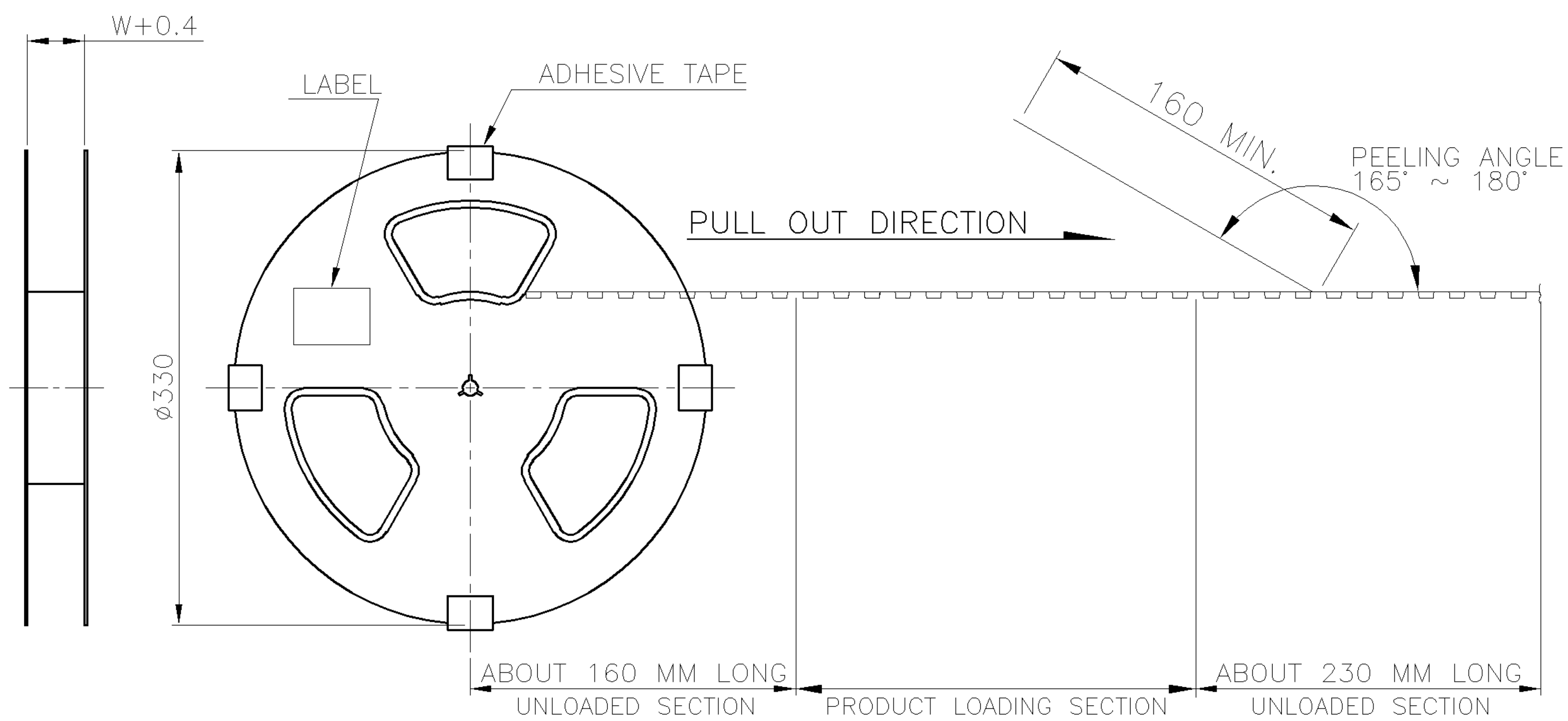
NUMBER
C-1734741



METRIC

THIS INFORMATION IS CONFIDENTIAL AND IS DISCLOSED TO YOU ON CONDITION THAT NO FURTHER DISCLOSURE IS MADE BY YOU TO OTHER THAN AMP PERSONNEL WITHOUT WRITTEN AUTHORIZATION FROM AMP (TAIWAN) LTD. DIMENSIONS IN MILLIMETERS. DO NOT SCALE PRINT.

PRINT DIST
DW



PCS/REEL	REELS/CARTON	QUANTITY	DIM W	DIM X	G/W (KG)	N/W (KG)	NO. OF CONTACTS
1000	4	4000	44.0	40.40	4.61	2.08	40
					4.57	2.04	39
					4.53	2.00	38
					4.49	1.96	37
					4.45	1.92	36
					4.37	1.84	35
					4.33	1.80	34
					4.29	1.76	33
					4.25	1.72	32
					4.21	1.68	31
1000	6	6000	32.0	28.40	6.05	2.46	30
					5.99	2.40	29
					5.93	2.34	28
					5.87	2.28	27
					5.81	2.22	26
					5.75	2.16	25
					5.63	2.04	24
					5.57	1.98	23
					5.51	1.92	22
					5.45	1.86	21
1000	7	7000	24.0	24.0	5.58	2.10	20
					5.51	2.03	19
					5.44	1.96	18
					5.37	1.89	17
					5.30	1.82	16
					5.23	1.75	15
					5.16	1.68	14
					5.02	1.54	13
					4.95	1.47	12
					4.88	1.40	11
4.81	1.33	10					
4.74	1.26	9					
4.67	1.19	8					
4.60	1.12	7					
4.53	1.05	6					

TOLERANCES UNLESS OTHERWISE SPECIFIED: 0 PLC ±- 1 PLC ±- 2 PLC ±- 3 PLC ±- ANGLES ±-	DWN A. WU 01-DEC-2005	tyco TYCO HOLDINGS (BERMUDA) VII LTD. TAIWAN BRANCH Electronics				
MATERIAL -	CHK S. HOU 01-DEC-2005	NAME FPC/FFC CONN., 0.5 MM PITCH, ZIF, VERTICAL, SMT, TYPE B				
FINISH -	APVD W.J. KE 01-DEC-2005	PRODUCT SPEC	LOC DW	SIZE A ₃	DRAWING NO C-1734741	REV O
	APPLICATION SPEC	WEIGHT	SCALE	SHEET 2 OF 2		

SEE SHEET 1.	ECN	DWN	CHK	DATE
LTR	REVISION RECORD			