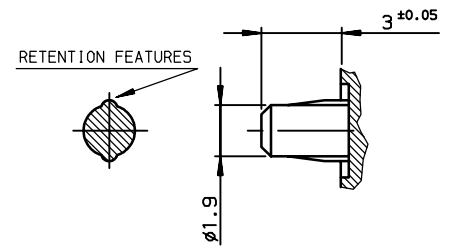


DETAIL OF PRESS-IN PEGS (SCALE 5:1)

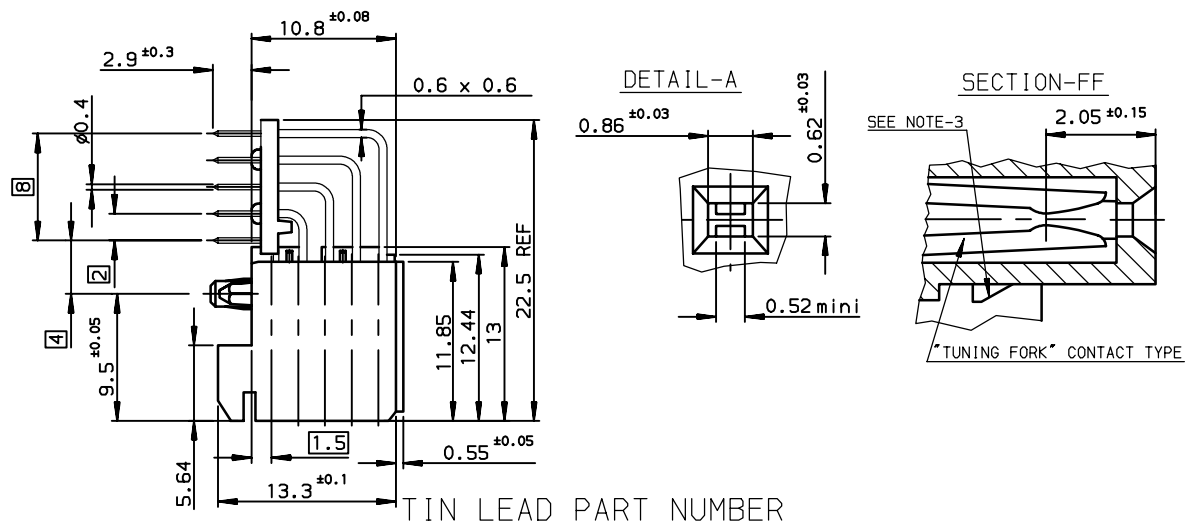


GENERAL CHARACTERISTICS AND ROHS INFORMATIONS:

SEE DRAWING C-8626-0005

- NOTE-1: PRESS-IN RETENTION PEG
 NOTE-2: PLUG FOR CODING KEY FIXING
 NOTE-3: MOUNTING ON PCB, MANUAL OR WITH LITTLE STANDARD PRESS

- SPECIFIC DATAS:
 VISUAL INSPECTION: 100%
 - marking failure
 - housing material failure
 - spoilt housing
 - stained housing
 - broken contacts (twisted or Loosen)



TIN LEAD PART NUMBER

Part number HM1 F53FAP400H6P

LEAD FREE PART NUMBER

Part number HM1 F53FAP400H6PLF

(REDUCED SCALE SHEET) European Views

www.fciconnect.com	surface	ISO 1302	tolerance std	ISO 406	ISO 1101	projection	mm
		✓					
TOLERANCES UNLESS OTHERWISE SPECIFIED							
Dr	PERRICHOT	2001/01/30	ANGULAR	0.X	±0.1	size	Scale
Eng	LENOIR	2001/01/30	LINEAR	0.XX	±0.1	A3	2.5
Chr	LEGARE	2001/01/30		0.XX' ±2'	0.XXX	±0.1	ECN
Appr	LEGARE	2001/01/30	Product family		METRAL	Spec ref	-
			Product family		METRAL		
				METRAL-1 FEMALE 5 ROWS 120 CTS		dwg no	C-8626-11119
				RIGHT ANGLE SOLDER-(PRESS-IN PEGS)			
catalog no					CUSTOMER		sheet 1 of 1

rev	ecn no	dr	date
A	-	-	2001/01/30
B	L505-001	MLE	2005/03/15
C	L506-0095	LGO	2006/07/05
-	-	-	-
-	-	-	-
-	-	-	-

LAYOUT FOR P.C.B

