



# MIC4608/4609

## 9A-Peak Open-Drain MOSFET Driver

### Preliminary Information

### General Description

The MIC4608/4609 are BiCMOS/DMOS buffer-drivers constructed with complementary MOS outputs, where the drains of the final output totem poles have been left disconnected so individual connections can be made to the pull-up and pull-down sections of the output, thus allowing the user to define the rates of rise and fall times desired for a capacitive load, or a reduced output swing if driving a resistive load, or to limit base current when driving a bipolar transistor. Minimum rise and fall times, with no resistors, will be less than 30ns for a 10,000pF load. There is no upper limit.

These devices are rugged due to extra steps taken to protect them from failures. A modern Bipolar/CMOS/DMOS process guarantees freedom from latchup. Proprietary circuits allow the input to swing negative as much as 5V without damaging the part.

For driving MOSFETs in motor-control applications, where slow-on/fast-off operation is desired, the MIC4608/4609 is superior to the previously-used technique of adding a diode-resistor combination between the driver output and the MOSFET, because it allows accurate control of turn-on, while maintaining fast turn-off and maximum noise immunity for the device being driven.

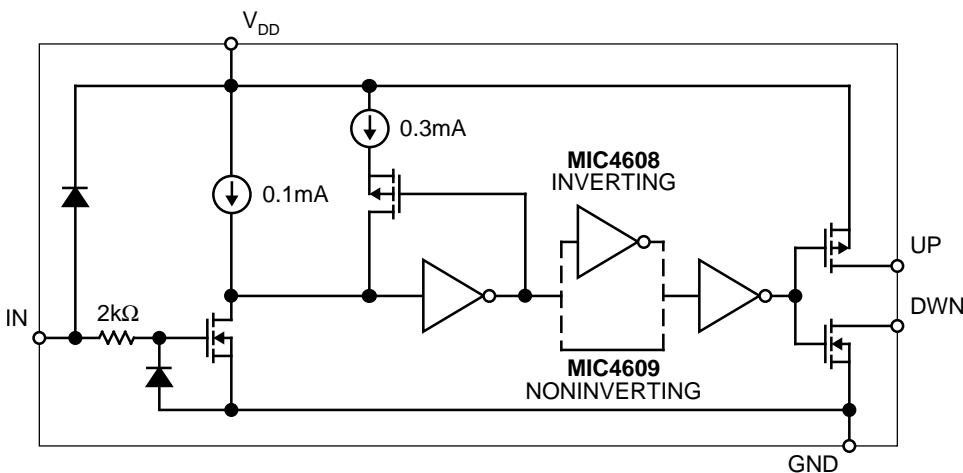
### Features

- Independently Programmable Rise and Fall Times
- High Peak Output Current ..... 9A peak
- Low Output Impedance ..... 1Ω typ.
- High Speed  $t_R$ ,  $t_F$  ..... <30ns with 10,000pF
- Short Delay Times ..... <30ns typ.
- Wide Operating Range ..... 4.5V to 18V
- Latch-up Protected: Fully Isolated Process is Inherently Immune to Any Latch-Up.
- Input Withstands Negative Swings to -5V
- ESD Protected ..... 2kV

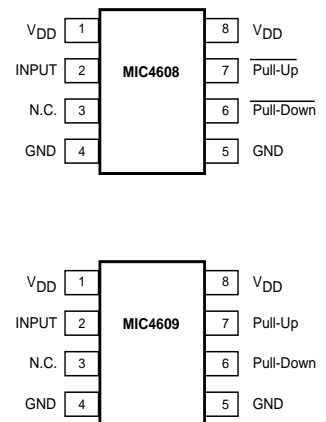
### Applications

- Power Switch
- Motor Controls
- Self-Commutating MOSFET Bridge Driver
- Driving Bipolar Transistors
- Driver for Nonoverlapping Totem Poles
- Pulse Generator
- Line Driver
- Power Management
- Level Shifters

### Functional Diagram



### Pin Configuration



When used to drive bipolar transistors, this driver maintains high speeds and allows insertion of a base current-limiting resistor, and also provides a separate half-output for fast turn-off. By proper positioning of the resistor, either NPN or PNP transistors can be driven.

For driving many loads in low-power systems, this driver, because it has very low quiescent current ( $<80\mu\text{A}$ ) and eliminates shoot-through current in the output stage, requires significantly less power than similar drivers and can be helpful in meeting low-power budgets.

Due to independent drains, this device can also be used as an open-drain buffer/driver where both drains are available in one device, thus minimizing chip count. An unused pull-down should be returned to the ground; an unused pull-up should be returned to  $V_{DD}$ . This is to prevent static damage. Alternatively, in situations requiring greater current-carrying capacity, multiple MIC4608 or MIC4609s may be paralleled.

The MIC4608/4609 will not latch under any conditions within its power and voltage ratings. It is not subject to damage when up to 5V of noise spiking of either polarity occurs on the ground pin. It can accept, without damage or logic upset, up to 1.5 amps of reverse current (of either polarity) being forced back into the outputs.

## Absolute Maximum Ratings (Note 1)

Supply Voltage .....	+22V
Maximum Die Temperature .....	+150°C
Storage Temperature Range .....	-65°C to +150°C
Lead Temperature (Soldering, 10 sec) .....	+300°C
Package Thermal Resistance	
CerDIP $\theta_{JA}$ .....	150°C/W
CerDIP $\theta_{JC}$ .....	55°C/W
PDIP $\theta_{JA}$ .....	125°C/W
PDIP $\theta_{JC}$ .....	45°C/W
SOIC $\theta_{JA}$ .....	250°C/W
SOIC $\theta_{JC}$ .....	75°C/W

## Ordering Information

Part Number	Logic	Package	Temperature Range
MIC4608BN	Inverting	8-pin PDIP	-40°C to +85°C
MIC4608BM	Inverting	8-pin SOIC	-40°C to +85°C
MIC4609BN	Non-inverting	8-pin PDIP	-40°C to +85°C
MIC4609BM	Non-inverting	8-pin SOIC	-40°C to +85°C

**Note 1:** Stresses above those listed under Absolute Maximum Ratings may cause permanent damage to the device. These are stress ratings only and functional operation of the device at these or any other conditions above those indicated in the operational sections of the specification is not implied. Exposure to Absolute Maximum Rating Conditions for extended periods may affect device reliability. Static-sensitive device. Unused devices must be stored in conductive material. Protect devices from static discharge and static fields.

## Electrical Characteristics

Unless otherwise specified, specifications measured at  $T_A = 25^\circ\text{C}$  with  $4.5\text{V} \leq V_{DD} \leq 18\text{V}$ .

Symbol	Parameter	Test Conditions	Min	Typ	Max	Unit
<b>Input</b>						
$V_{IH}$	Logic 1 High Input Voltage		2.4		$V_{DD} + 0.3$	V
$V_{IL}$	Logic 0 Low Input Voltage		-5		0.8	V
$I_{IN}$	Input Current	$0\text{V} \leq V_{IN} \leq V_{DD}$	-10		10	$\mu\text{A}$

<b>Output</b>						
$V_{OH}$	High Output Voltage		$V_{DD} - 0.025$			V
$V_{OL}$	Low Output Voltage				0.025	V
$R_O$	Output Resistance, Pull-Up	$I_{OUT} = 10\text{mA}, V_{DD} = 18\text{V}$		0.9	1.7	$\Omega$
$R_O$	Output Resistance, Pull-Down	$I_{OUT} = 10\text{mA}, V_{DD} = 18\text{V}$		1.0	2.5	$\Omega$
$I_{PK}$	Peak Output Current			9		A
$I_R$	Latch-up Protection Withstand Reverse Current	$t < 300\mu\text{s}, \text{Duty Cycle} \leq 2\%$	>1500			mA

### Switching Time

$t_R$	Rise Time	Figure 1, $C_L = 10,000\text{pF}$		25	60	ns
$t_F$	Fall Time	Figure 1, $C_L = 10,000\text{pF}$		25	60	ns
$t_{D1}$	Delay Time	Figure 1, $C_L = 10,000\text{pF}$		30	60	ns
$t_{D2}$	Delay Time	Figure 1, $C_L = 10,000\text{pF}$		33	60	ns

### Power Supply

$I_S$	Power Supply Current	$V_{IN} = 3\text{V}$		0.4	1.5	mA
		$V_{IN} = 0\text{V}$		0.08	0.15	mA

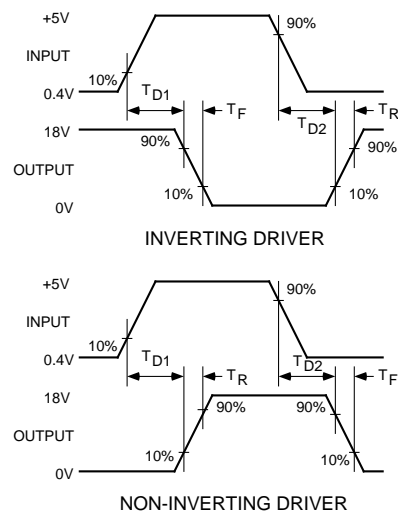
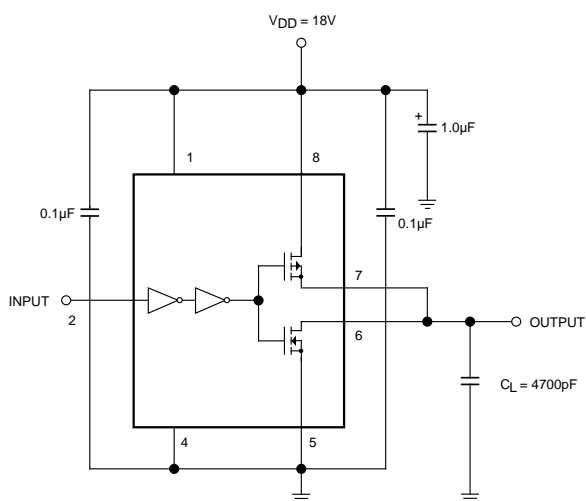


Figure 1. MIC4608/4609 Switching time test circuit.

**Electrical Characteristics, continued**

Specifications measured **over operating temperature range** with  $4.5V \leq V_{DD} \leq 18V$ , unless otherwise specified.

Symbol	Parameter	Test Conditions	Min	Typ	Max	Unit
<b>Input</b>						
$V_{IH}$	Logic 1 High Input Voltage		2.4		$V_{DD} + 0.3$	V
$V_{IL}$	Logic 0 Low Input Voltage		-5		0.8	V
$I_{IN}$	Input Current	$0V \leq V_{IN} \leq V_{DD}$	-10		10	$\mu A$

**Output**

$V_{OH}$	High Output Voltage		$V_{DD} - 0.025$			V
$V_{OL}$	Low Output Voltage				0.025	V
$R_O$	Output Resistance, Pull-Up	$I_{OUT} = 10mA, V_{DD} = 18V$		1.4	5	$\Omega$
$R_O$	Output Resistance, Pull-Down	$I_{OUT} = 10mA, V_{DD} = 18V$		1.5	5	$\Omega$

**Switching Time (Note 1)**

$t_R$	Rise Time	Figure 1, $C_L = 10,000pF$		30	80	ns
$t_F$	Fall Time	Figure 1, $C_L = 10,000pF$		40	80	ns
$t_{D1}$	Delay Time	Figure 1, $C_L = 10,000pF$		30	80	ns
$t_{D2}$	Delay Time	Figure 1, $C_L = 10,000pF$		40	80	ns

**Power Supply**

$I_S$	Power Supply Current	$V_{IN} = 3V$		0.6	3	mA
		$V_{IN} = 0V$		0.1	0.2	mA