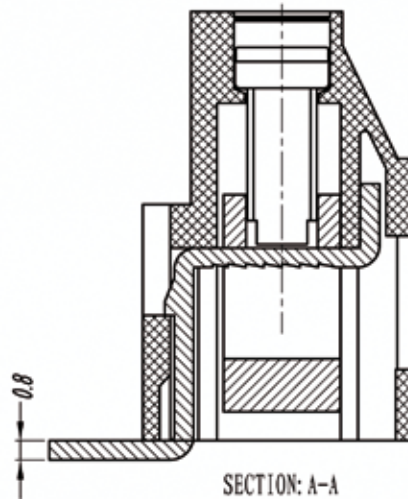
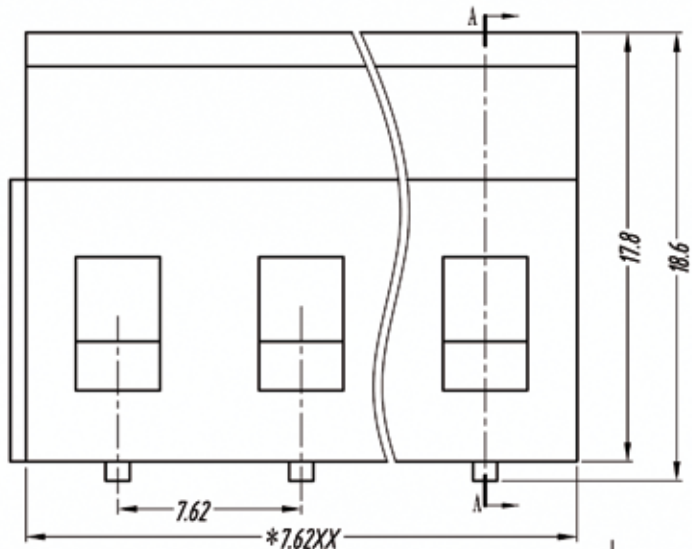


euro-block

product specification



Electrical

Standard: UL-IEC
 Rated voltage: 300V-450V
 Rated current: 25A-20A
 Wire range: 24-12AWG-2.5mm²
 Withstanding voltage: AC2000V/1Min

Mechanical

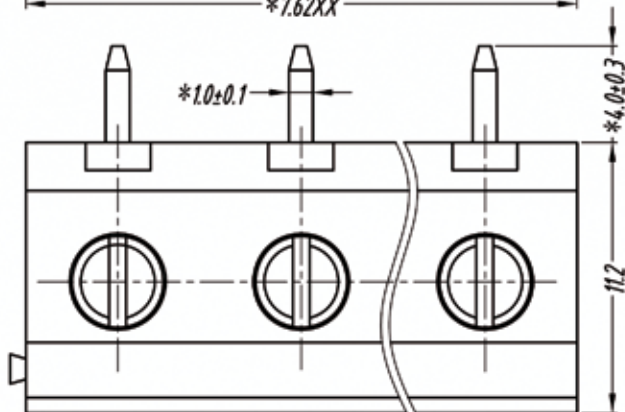
Torque: 0.5Nm (4.5Lb'in)
 Temp.Range: -40°C~+105°C
 Strip length: 6-7mm

Dimensions

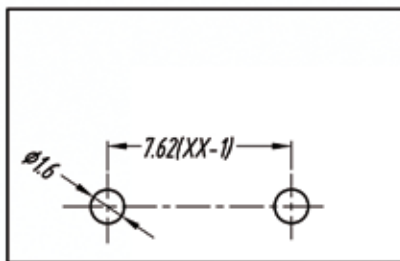
Pitch: 7.62mm (0.300")
 Poles: 2p-xxp

Material

Housing: PA66, UL94V-0
 Screws: M3, steel, Zinc plated
 Pin header: Brass, Tin plated
 Wire guard: Brass, Ni plated



P. C. B. LAYOUT



TOLERANCES EXCEPT AS NOTED

	linear dimension					fillet	chamfer	short angle sid				≡	-	□	//	⊥	
	variable range	to 6	over 6 to 30	over 30 to 120	over 120 to 480			to 6	to 10	to 10	to 50						to 120
tolerance	±0.1	±0.2	±0.3	±0.5	±0.9	±0.2	±0.5	±1	1'	30'	20'	10'	0.5	0.025	0.06	0.12	0.4

UNITS	mm	SIZE	A4	SCALE	FIRST ANGLE PROJECTION	
euro-block						
					NAME	MRA52-7.62-H