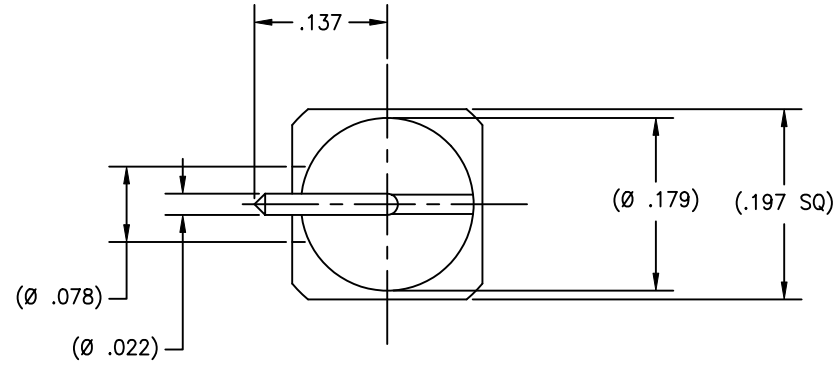
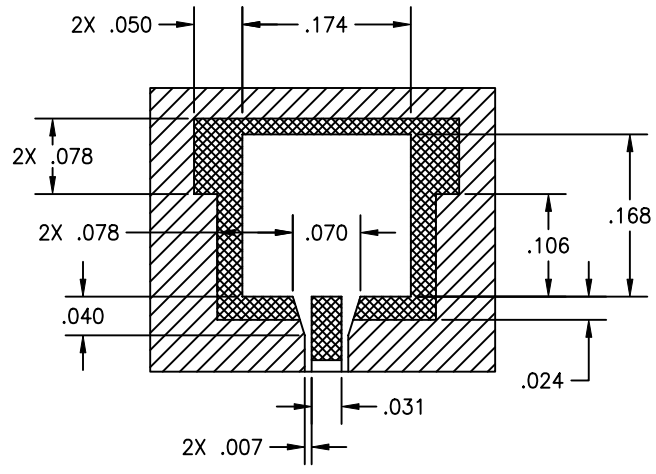
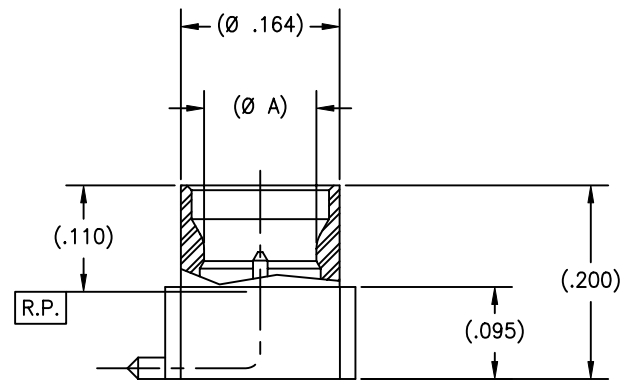
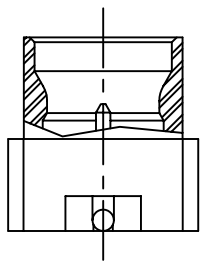


P/N	APPLICABLE NOTE(S)	INTERFACE	(Ø A)
-1CC	1,2,3	FULL DETENT	.116
-2CC	1,2,3	LIMITED DETENT	.120
-3CC	1,2,3	SMOOTH BORE	.125

REVISIONS				
ZONE	REV.	DESCRIPTION(S)	DATE	BY
-	A	ECO 21035	02.29.08	DKN



RECOMMEND MOUNTING PATTERN;
GROUNDED COPLANAR WAVEGUIDE: ROGERS 4350

MATERIAL:	ELECTRICAL:	MECHANICAL:	ENVIRONMENTAL:
Body & Center Conductor: Brass alloy per ASTM B-16. Dielectric: PTFE per ASTM D-1710.	Impedance: 50 Ohms nominal. Frequency Range: DC to 18.0 GHz. VSWR: 1.10:1 max to 6GHz. 1.30:1 max to 18GHz. Insertion Loss: .10 dB max to 18GHz.	Mating Characteristics: Interface per Mil-Std-348. Force To Engage & Disengage: Dependent on detent Connector Durability: Full detent: 100 cycles min. Limited detent: 500 cycles min. Smooth bore: 1000 cycles min.	Temperature Range: -65°C to +165°C. Thermal Shock: Mil-Std-202, Method 107, Test Cond. B. Moisture Resistance: Mil-Std-202, Method 106, except step 7b shall be omitted. Insulation resistance at least 1000 MegOhms within 5 minutes after removal from humidity. Corrosion: Mil-Std-202, Method 101, Test Cond. B. Vibration: Mil-Std-202, Method 204, Test Cond. D. Shock: Mil-Std-202, Method 213, Test Cond. I.

FINISH:
Body & Center Conductor: Gold plate per ASTM B-488, over nickel under plate per AMS-QQ-N-290.

APPLICABLE TENSOLITE DOCUMENTS		
WORK STD	PROD INST	ASSY INST
NA	NA	NA

- TOLERANCES AND NOTES EXCEPT AS NOTED**
 DIMENSIONS ARE IN INCHES.
 LINEAR .001 ±.015 ANGULAR ± 1/2°
 FRACTION ± 1/32
- MACHINE FINISH: 63/ RMS.
 - BREAK ALL SHARP EDGES .003 MAX.
 - MACHINED FILLETS .005 MAX.
 - MACHINED SURFACES SQUARE TO RESPECTIVE AXIS WITHIN .005 INCHES PER INCH.
 - MACHINED DIAMETERS CONCENTRIC WITHIN .002 T.I.R.
 - DIMENSIONS TO BE MET BEFORE PLATING.
 - CHAMFER ALL THREADS 45°
 - THREADS PER H-28
 - REMOVE FRAMED EDGES ON TEFLON.
 - REMOVE ALL BURRS.

NOTICE
 THIS DRAWING EMBODIES A CONFIDENTIAL PROPRIETARY DESIGN ORIGINATED BY TENSOLITE COMPANY AND ALL DESIGN, MANUFACTURING, REPRODUCTION, USE AND SALE RIGHTS REGARDING THE SAME ARE EXPRESSLY RESERVED. IT IS SUBMITTED UNDER A CONFIDENTIAL RELATIONSHIP FOR A SPECIFIED PURPOSE AND THE RECIPIENT AGREES BY ACCEPTING THIS DRAWING NOT TO SUPPLY OR DISCLOSE ANY INFORMATION REGARDING IT TO ANY UNAUTHORIZED PERSON OR TO INCORPORATE IN OTHER PRODUCTS ANY SPECIAL FEATURES PECULIAR TO THIS DESIGN. ALL PATENT RIGHTS HERETO ARE EXPRESSLY RESERVED BY TENSOLITE COMPANY, LONG BEACH, CALIFORNIA 90815.

APPROVAL INITIALS		DATE	MATERIAL	SIZE	SPECIFICATION	PROCUREMENT
DRAWN BY DKN		05.26.00				
CHECKED BY			Tensolite HIGH PERFORMANCE CABLES & INTERCONNECT SYSTEMS Long Beach, California 90815			
DESIGN ENGR DNg		02.29.08				
MFG ENGR			TITLE: SMP MALE STRAIGHT TO SURFACE MOUNT SCALE: 10/1 SUB-DIRECTORY/FILENAME: _OLPXX\OLP839 SHEET 1 of 1			
			SIZE C	CAGE CODE 30990	DRAWING NO. P839	REV. A