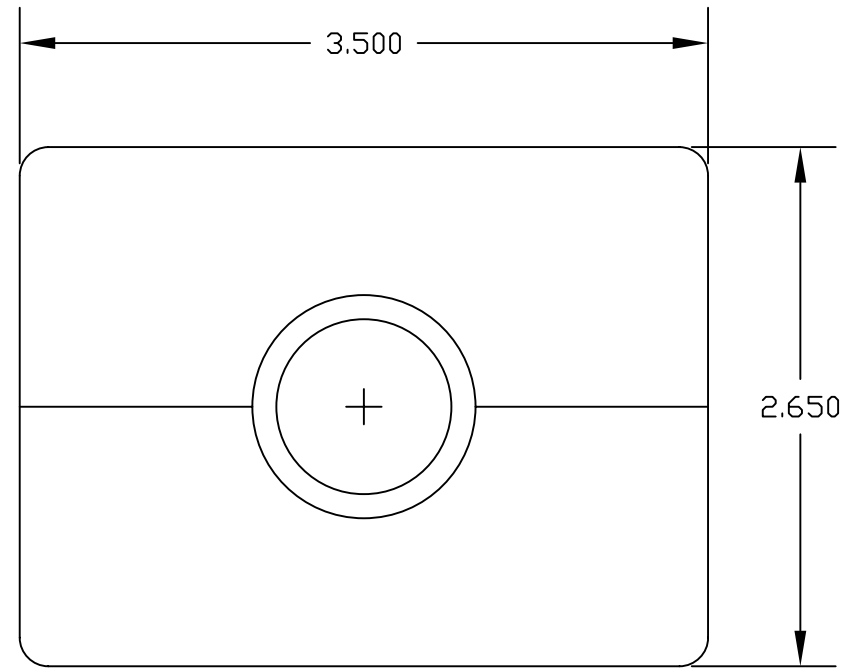
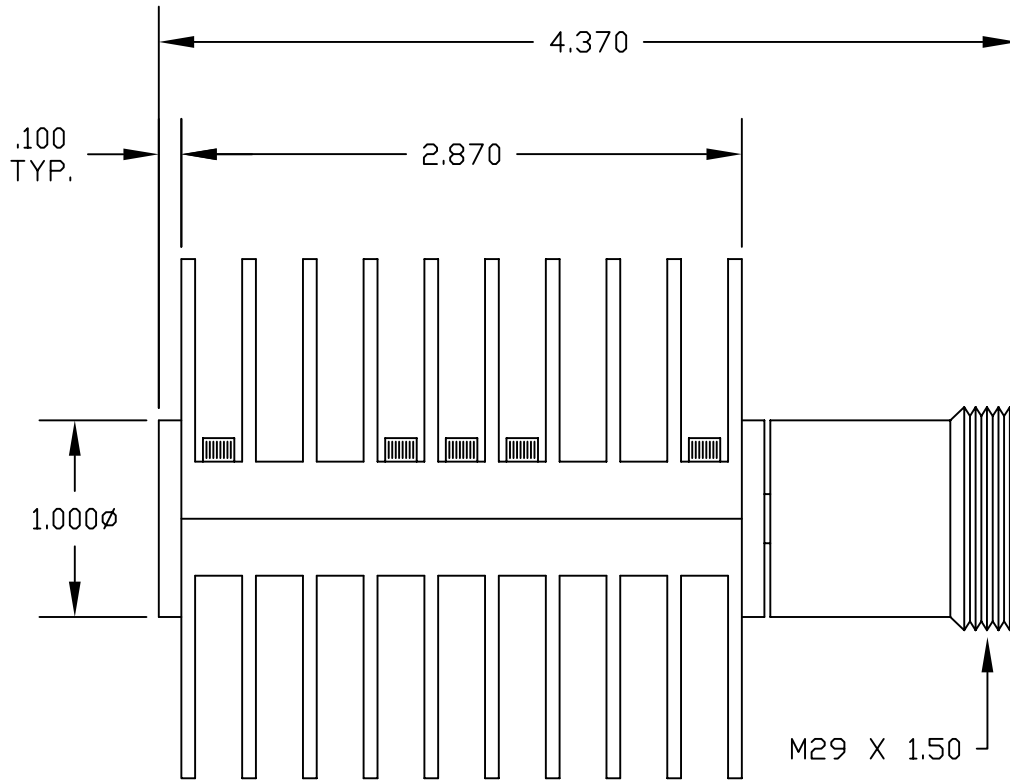


MATERIALS

CONNECTOR	BRASS WHITE BRONZE PLATED
CONTACT	SILVER PLATED
INSULATOR	PTFE
HEAT SINK	ANODIZED ALUMINUM



SPECIFICATIONS

FREQUENCY RANGE: DC TO 7 GHz
 POWER HANDLING CAPABILITY: 50 WATTS
 MAXIMUM VSWR: 1.25



PASTERNACK ENTERPRISES, INC.

P.O BOX 16759, IRVINE, CA 92623
 PHONE (949) 261-1920 FAX (949) 261-7451

WEB ADDRESS: www.pasternack.com
 E-MAIL ADDRESS: sales@pasternack.com

COAXIAL & FIBER OPTICS

DWG TITLE

PE6112

DES.

7/16 FEMALE HIGH POWER TERMINATION
 FREQUENCY RANGE: DC TO 7 GHz

SIZE A

FSCM NO. 53919

CAD FILE

080602

SCALE N/A

127

NOTES:

1. UNLESS OTHERWISE SPECIFIED ALL DIMENSIONS ARE NOMINAL.
2. ALL SPECIFICATIONS ARE SUBJECT TO CHANGE WITHOUT NOTICE AT ANY TIME.