

**Connectors**



**PZ0100 IEC Female Straight**

**Opposite End Plugs**



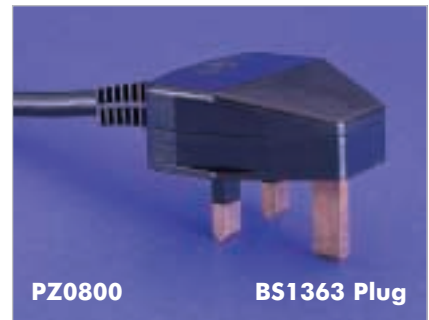
**PZ0500 IEC Male Straight**



**PZ0200 IEC Female Angled**



**PZ0600 IEC Male Angled**



**PZ0800 BS1363 Plug**

IEC CONNECTORS

**How to Order**

**PZxx xx / xxxx / xx xx**

Connector	Opposite End Plug	Cable Length (standard)	Colour	Fuse Rating
01 = PZ0100	05 = PZ0500	2M00 = 2 Metres	BK = Black*	03 = 3AMP
02 = PZ0200	06 = PZ0600	2M50 = 2.5 Metres	GY = Grey	05 = 5AMP
	08 = PZ0800	3M00 = 3 Metres	WH = White	10 = 10AMP
			* For PZ0800 variants only, for others leave blank for black.	Required for PZ0800 only, for other connectors leave blank.

**Examples:**

PZ0105/2M00 = PZ0100 black with PZ0500 on opposite end with 2 metres of cable.

PZ0108/2M00BK05 = PZ0100 black with PZ0800 on opposite end with 2 metres of cable and 5AMP fuse.

**Notes:**

Cord Sets with cable length of 2 metres and under use 0.75mm<sup>2</sup> cable.

Cord Sets longer than 2 metres use 1.00mm<sup>2</sup> cable in accordance with BS EN60 320, IEC799.

Cord Set length measured from connector face to connector face.

This table shows only standard configurations, for variations of cable length, colour or connector/plug combinations please contact the sales office.

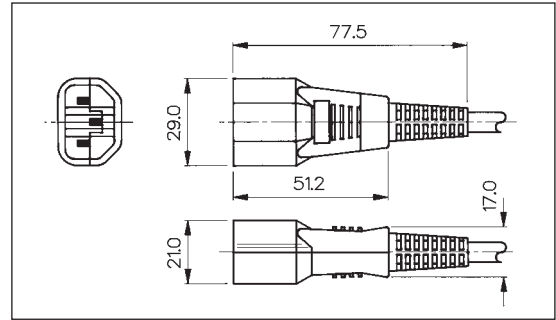
BS EN60 320 - 2 - 2 (Standard Sheet E Class I) Non Rewirable

IEC MALE STRAIGHT



PZ0500/Length

- Non Rewirable
- Various Cable Lengths
- Choice of Colours
- 10A, 250V a.c.

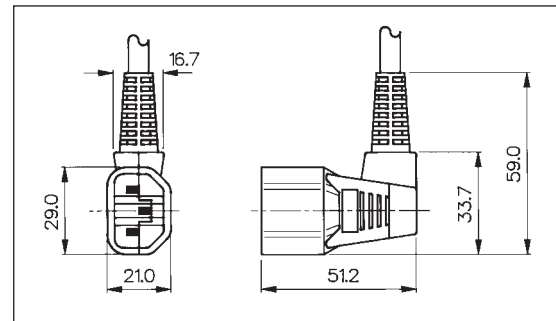


IEC MALE ANGLED



PZ0600/Length

- Non Rewirable
- Various Cable Lengths
- Choice of Colours
- 10A, 250V a.c.



Ordering Data

Length	PZ0500	PZ0600
2 Metres	PZ0500/2M00	PZ0600/2M00
2.5 Metres	PZ0500/2M50	PZ0600/2M50
3 Metres	PZ0500/3M00	PZ0600/3M00

For grey or white versions add colour suffix /GY or /WH  
e.g. PZ0500/2M50/GY = 2.5 metre length, colour grey

Specification	PZ0500/Length/Colour	PZ0600/Length/Colour
Cable Lengths (standard):	2m (/2M00), 2.5m (/2M50), 3m (/3M00)	2m (/2M00), 2.5m (/2M50), 3m (/3M00)
Cable type: 2m and under over 2m	0.75mm <sup>2</sup> 1.00mm <sup>2</sup>	0.75mm <sup>2</sup> 1.00mm <sup>2</sup>
Terminations:	Bared ends	Bared ends
Max. Rating:	10A, 250V a.c.	10A, 250v a.c.
Contact Resistance:	<10mΩ	<10mΩ
Insulation Resistance:	>10 <sup>4</sup> MΩ @ 500V d.c.	>10 <sup>4</sup> MΩ @ 500V d.c.
A.C. Breakdown:	Pole-Pole 6.5kV Poles-Accessible parts 6kV	Pole-Pole 6.5kV Poles-Accessible parts 6kV
Operating Temp. Range:	0°C to +70°C	0°C to +70°C
Withdrawal Force:	10N (Min.) 50N (Max.)	10N (Min.) 50N (Max.)
Mouldings:	Polycarbonate Flammability Rating UL 94V-0	Polycarbonate Flammability Rating UL 94V-0
Contacts:	Brass, Tin Plated	Brass, Tin Plated
Approvals:	♥ (pending)	♥ (pending)
Mates with:	PX0675, PX0695, PX0783, PX0793, PX0714	PX0675, PX0695, PX0783, PX0793, PX0714
Colours:	Black (blank), Grey (/GY), White (/WH)	Black (blank), Grey (/GY), White (/WH)
Variants:	For other lengths please contact the sales office	