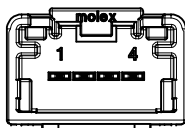
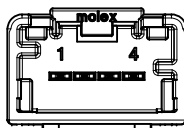


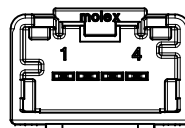
4 CIRCUIT VERTICAL HEADER
POLARIZATION OPTION A



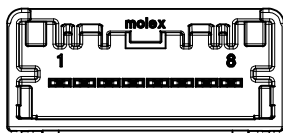
4 CIRCUIT VERTICAL HEADER
POLARIZATION OPTION B



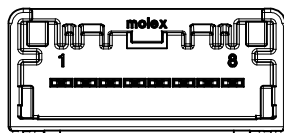
4 CIRCUIT VERTICAL HEADER
POLARIZATION OPTION C



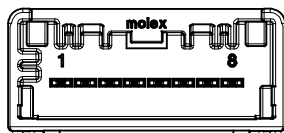
4 CIRCUIT VERTICAL HEADER
POLARIZATION OPTION D



8 CIRCUIT USCAR VERTICAL HEADER
POLARIZATION OPTION A



8 CIRCUIT USCAR VERTICAL HEADER
POLARIZATION OPTION B



8 CIRCUIT USCAR VERTICAL HEADER
POLARIZATION OPTION C

NOTES: VALID UNLESS OTHERWISE SPECIFIED

1. GENERAL:
 - a. APPLICATION SPECIFICATION SEE: AS-34791-020
 - b. PRODUCT SPECIFICATION SEE: PS-34791-020
 - c. PACKAGING SPECIFICATION PER MOLEX DRAWING: SEE CHART
 - d. SOLDERABILITY PER SMES-152
 - e. PARTS MUST BE IN COMPLIANCE TO MOLEX CHEMICAL SUBSTANCES FOR PRODUCTS AND PACKAGING SPECIFICATION: QEHS-699000-300
 - f. DATA MUST BE SUBMITTED UNDER THE MOLEX PART NUMBER TO IMDS (COMPANY ID#13255)
 - g. FLAMMABILITY REQUIREMENT: PER ISO3795 OR GM3191
 - h. VISUAL DEFECTS SHALL MEET COSMETIC STANDARD PS-45499-002 (Class B)
2. DESIGN - MATERIALS:
 - a. SHROUD (PLASTIC HOUSING): SPS 30% GF, 20% REGRIND MAX PER WEIGHT
 - b. BASES:
 - BASE METAL: C260 BRASS
 - PLATING REQUIREMENTS:
 - TIN OVER NICKEL:
 - UNDERPLATING:
 - OVERALL NICKEL
 - OVERPLATING:
 - OVERALL TIN
3. DESIGN - GEOMETRY:
 - a. THIS IS A 100% CAD GENERATED PART. THE CAD MATHEMATICAL DATA IS THE MASTER FOR THIS PART. FOR DIMENSIONAL OR ANY INFORMATION NOT SHOWN ON THIS DRAWING, ANALYZE THE CAD MODEL.
 - b. GEOMETRIC DIMENSIONS AND TOLERANCES PER ASME Y14.5M - 2009
 - c. GENERAL TOLERANCES:
 - LINEAR: SEE TITLE BLOCK
 - ANGULAR: $\pm 3^\circ$
 - d. EDGES AND UNDIMENSIONED DETAILS PER ISO13715
 - e. CORNERS SHOWN AS SHARP TO BE R 0.1 MAX
 - f. LETTERING SHALL BE 0.10 MAX RAISED. THIS INCLUDES RECYCLING CODE, PLANT AND CAVITY ID, VENDOR ID, AND CIRCUIT ID.

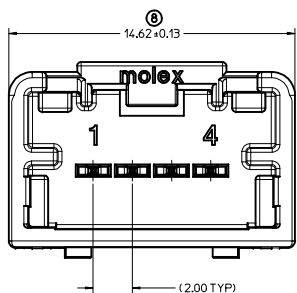
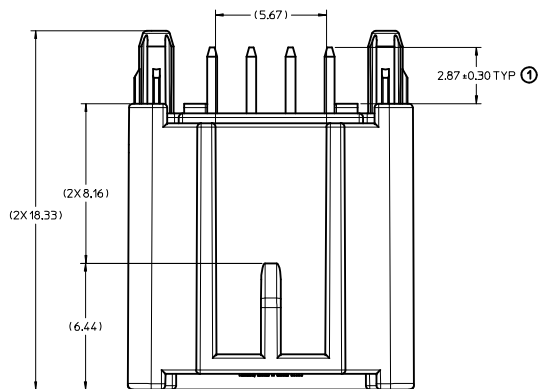
MINI50 VERTICAL HEADER ASSEMBLIES

MATERIAL NUMBER		CONFIGURATION	CIRCUIT	POL	COLOR	BLADE PLATING	TOOLED	MATING COMPONENT			
TUBE PACKAGING PK-31301-688	TRAY PACKAGING PK-31301-440							UN-BRIDGED	TOOLED	BRIDGED	TOOLED
34792-9040	34792-0040	USCAR	4	A	BLACK	TIN OVER NICKEL	YES	34791-0040	YES	34791-0140	YES
34792-9041	34792-0041	USCAR	4	B	GRAY	TIN OVER NICKEL	YES	34791-0041	YES	34791-0141	YES
34792-9042	34792-0042	USCAR	4	C	BROWN	TIN OVER NICKEL	YES	34791-0042	YES	34791-0142	YES
34792-9043	34792-0043	USCAR	4	D	GREEN	TIN OVER NICKEL	YES	34791-0043	YES	34791-0143	YES
34792-9080	34792-0080	USCAR	8	A	BLACK	TIN OVER NICKEL	NO	34791-0080	NO	34791-0180	NO
34792-9081	34792-0081	USCAR	8	B	GRAY	TIN OVER NICKEL	NO	34791-0081	NO	34791-0181	NO
34792-9082	34792-0082	USCAR	8	C	BROWN	TIN OVER NICKEL	NO	34791-0082	NO	34791-0182	NO

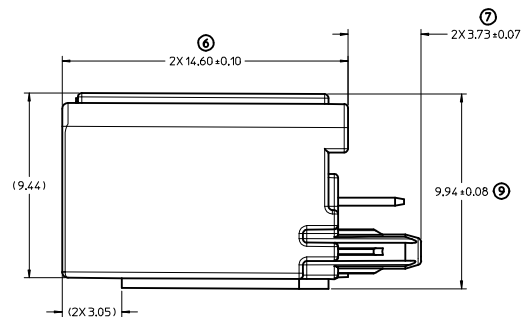
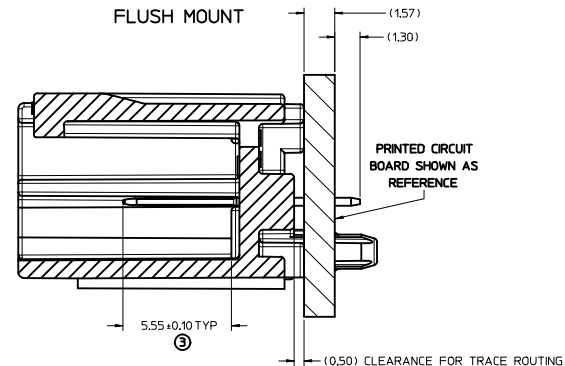
LAST BALLOON ON DRAWING:
③
DELETED BALLOONS:
④

REVISED 8CKT POL C EC NO. UAU2013-0644 DRAWN BY: YOUNG01 CHYK: APPR:RBALMAN 2012/08/27 2012/10/29	QUALITY SYMBOLS	GENERAL TOLERANCES (UNLESS SPECIFIED)	DIMENSION STYLE	SCALE	DESIGN UNITS	THIRD ANGLE PROJECTION	
	$\nabla=0$ $\nabla=0$ $\nabla=0$	mm INCH 4 PLACES \pm --- \pm --- 3 PLACES \pm --- \pm --- 2 PLACES ± 0.1 \pm --- 1 PLACE ± 0.2 \pm --- ANGULAR \pm ---°	MM ONLY DRAWN BY: JDUNAJ DATE: 2010/06/24 CHECKED BY: BDICK DATE: 2010/06/24 APPROVED BY: SMARCEAU DATE: 2011/11/21	5:1 METRIC	TITLE: MINI 50 SINGLE ROW VERTICAL HEADER ASSEMBLY SALES DRAWING MOLEX INCORPORATED	SHEET NO. 1 OF 3	
	DRAFT WHERE APPLICABLE MUST REMAIN WITHIN DIMENSIONS	SEE TABLE	MATERIAL NO. SD-34792-001	DOCUMENT NO.			
			THIS DRAWING CONTAINS INFORMATION THAT IS PROPRIETARY TO MOLEX INCORPORATED AND SHOULD NOT BE USED WITHOUT WRITTEN PERMISSION				

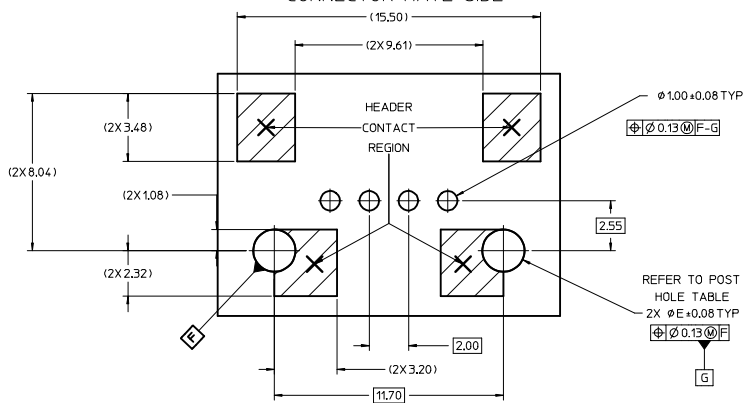
4 CKT VERTICAL HEADER



HEADER TO PCB FLUSH MOUNT



PCB LAYOUT CONNECTOR MATE SIDE



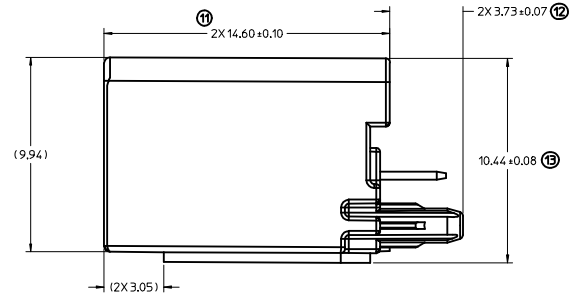
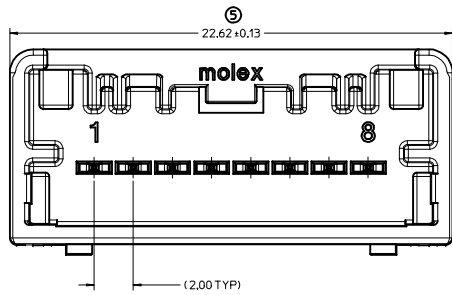
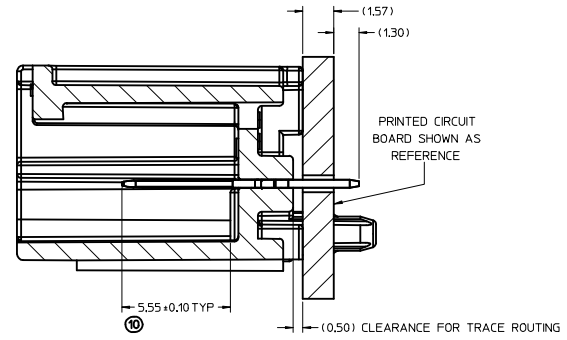
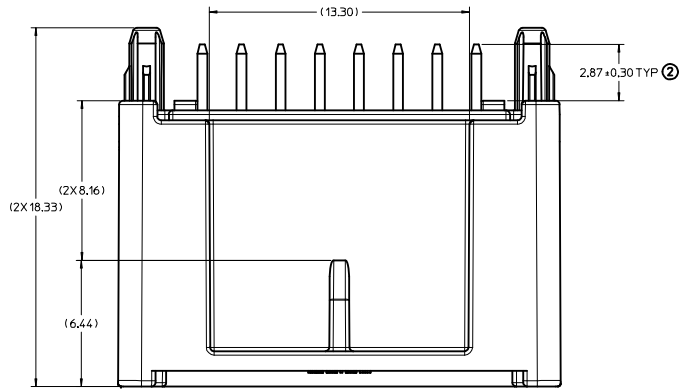
POST HOLE TABLE

	DIM 'E'
PRESS FIT	2.15
DROP IN	2.55

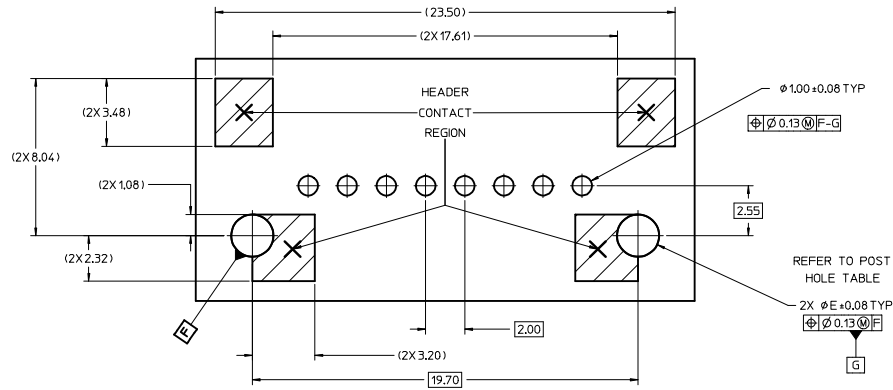
REVISED 8CKT POL C EC NO: UAU2013-0644 DRAWN: YOUNG01 2012/08/27 CHKD: APPR: RBAUMAN 2012/10/29	QUALITY SYMBOLS ∇=0 ∇=0 ∇=0	GENERAL TOLERANCES (UNLESS SPECIFIED) mm INCH 4 PLACES ± --- ± --- 3 PLACES ± --- ± --- 2 PLACES ± 0.1 ± --- 1 PLACE ± 0.2 ± --- ANGULAR ± ---°	DIMENSION STYLE MM ONLY	SCALE 8:1	DESIGN UNITS METRIC	THIRD ANGLE PROJECTION
	DRAWN BY: JDUNA J DATE: 2010/06/24 CHECKED BY: BDICK DATE: 2010/06/24 APPROVED BY: SMARCEAU DATE: 2011/11/21	TITLE MINI 50 SINGLE ROW VERTICAL HEADER ASSEMBLY SALES DRAWING	MATERIAL NO. SEE TABLE	DOCUMENT NO. SD-34792-001	SHEET NO. 2 OF 3	

THIS DRAWING CONTAINS INFORMATION THAT IS PROPRIETARY TO MOLEX INCORPORATED AND SHOULD NOT BE USED WITHOUT WRITTEN PERMISSION

8 CKT VERTICAL HEADER



PCB LAYOUT CONNECTOR MATE SIDE



POST HOLE TABLE

	DIM 'E'
PRESS FIT	2.15
DROP IN	2.55

ENTER DESCRIPTION EC NO: UAU2013-0644 DRAWN/YOUNG01 2012/08/27 CHKD: APPR:BAUMAN 2012/10/29	QUALITY SYMBOLS	GENERAL TOLERANCES (UNLESS SPECIFIED)	DIMENSION STYLE	SCALE	DESIGN UNITS	THIRD ANGLE PROJECTION
	▽=0	mm INCH	MM ONLY	8:1	METRIC	
	▽=0	4 PLACES ± --- ± ---	DRAWN BY	DATE	TITLE	
	▽=0	3 PLACES ± --- ± ---	JDUNA J	2010/06/24	MINI 50 SINGLE ROW VERTICAL HEADER ASSEMBLY SALES DRAWING	
	2 PLACES ± 0.1 ± ---	CHECKED BY	DATE			
	1 PLACE ± 0.2 ± ---	BDICK	2010/06/24			
	0 PLACE ± ±	APPROVED BY	DATE			
	ANGULAR ± --- °	SMARCEAU	2011/11/21			
	DRAFT WHERE APPLICABLE MUST REMAIN WITHIN DIMENSIONS	MATERIAL NO.	DOCUMENT NO.	SEE CHART	SD-34792-001	SHEET NO. 3 OF 3
		SIZE		THIS DRAWING CONTAINS INFORMATION THAT IS PROPRIETARY TO MOLEX INCORPORATED AND SHOULD NOT BE USED WITHOUT WRITTEN PERMISSION		