

SAW Filter

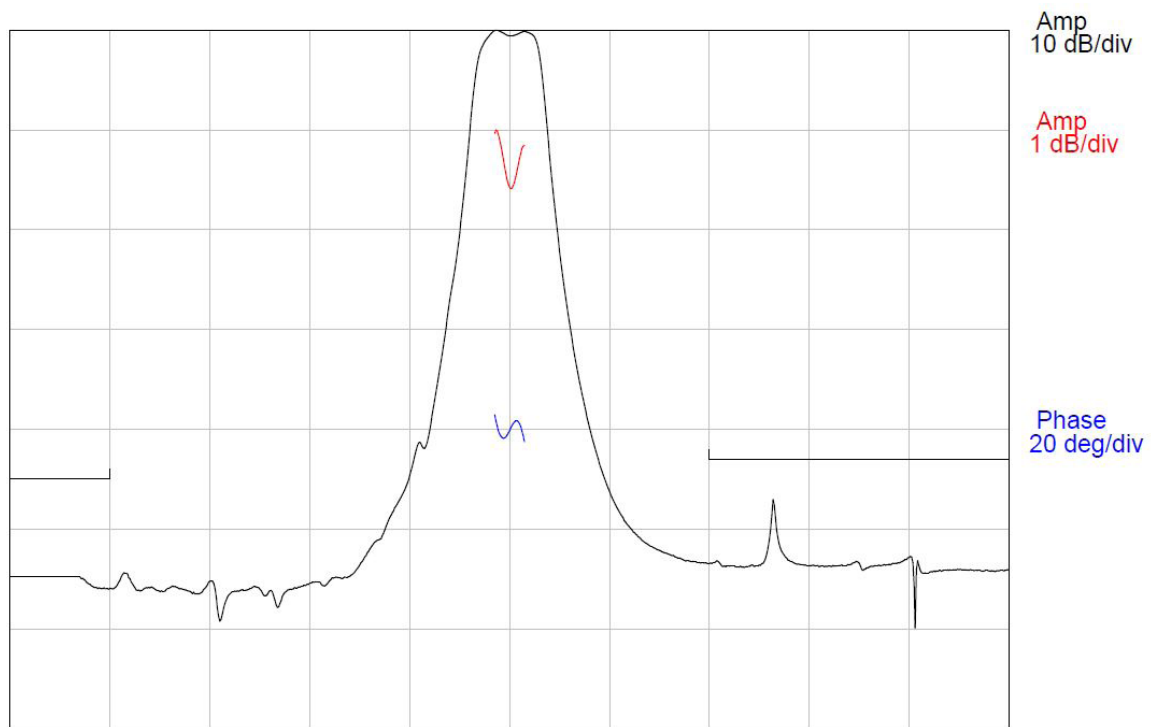
162 MHz SAW Bandpass Filter, 0.06 MHz Bandwidth



- 13.3 x 6.5 mm Ceramic LCC, 10 Pads
- RoHS Compliant

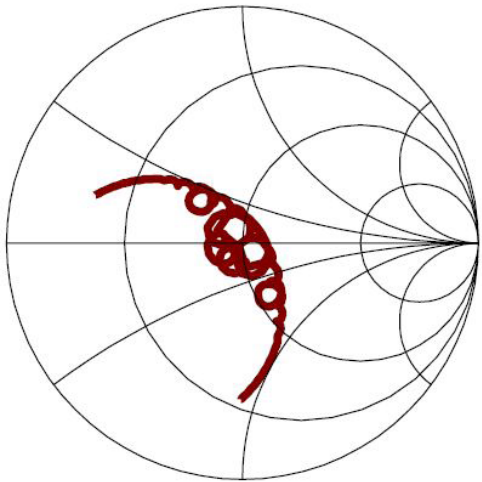
These filters are manufactured on quartz, which provides optimal temperature performance and are available from 80 -1600 MHz. This TCRF is designed for narrowband IF filtering such as in satellite transponders, directional finders and anti-jam modems. Other packaging styles are available for more rugged environments and applications. Standard part numbers as well as custom solutions are available. Please contact sales for more information.

TYPICAL PERFORMANCE

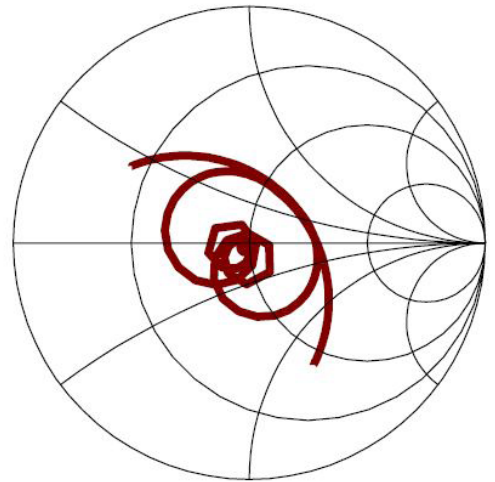


Center = 162 MHz, 0.2 MHz/div (2.5 kHz incr)

S11 (161-163 MHz)



S22 (161-163 MHz)



SPECIFICATION

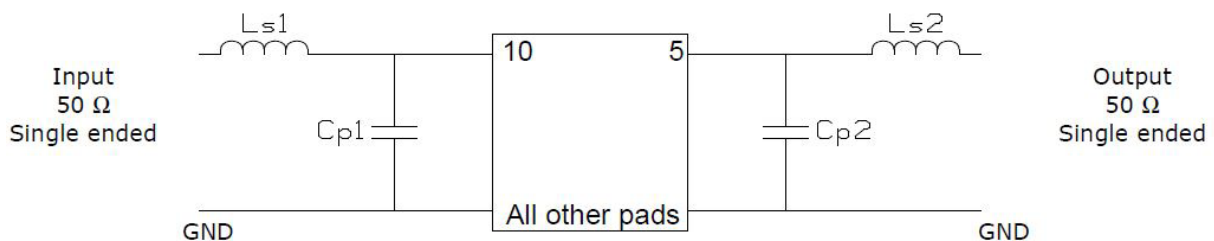
Parameter	Min	Typ	Max	Units
Minimum Insertion Loss	-	3.4	6	dB
Device Delay	-	7.4	-	μsec
1 dB Bandwidth	0.06	0.10	-	MHz
Lower 1 dB Frequency	-	161.95	161.97	MHz
Upper 1 dB Frequency	162.03	162.05	-	MHz
3 dB Bandwidth	-	0.12	-	MHz
Center Frequency (Fc, 3 dB) ¹	-	162	-	MHz
45 dB Bandwidth ²	-	0.39	-	MHz
Lower 45 dB Frequency ²	161.2	161.8	-	MHz
Upper 45 dB Frequency ²	-	162.2	162.4	MHz
Rejection (159.5-161.2 MHz) ²	45	48	-	dB
Rejection (162.4-164.5 MHz) ²	43	46	-	dB
Source and Load Impedance	50			ohms
Ambient Temperature	25			°C

Notes: 1. Reference frequency. Computed as mean of the 3 dB frequencies.
2. All dB values are referenced to the insertion loss value.

MAXIMUM RATINGS

Parameter	Min	Max	Units
Storage Temperature Range	-40	85	°C
Operating Temperature Range	10	60	°C
Input Power Level	-	20	dBm

MATCHING CIRCUIT

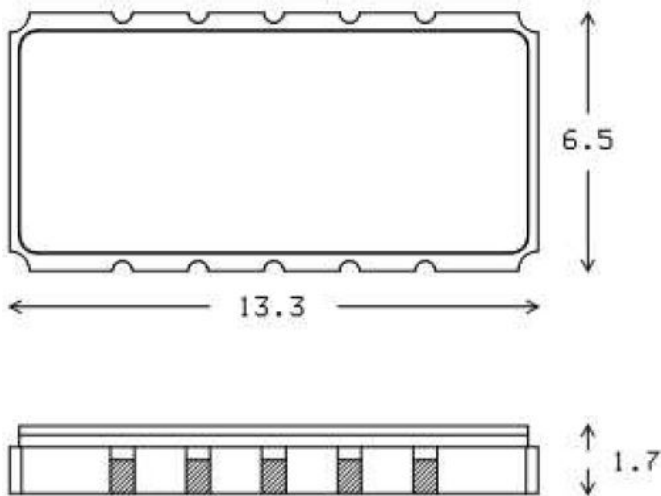


Cp1 = 5 pF, Ls1 = 100 nH, Cp2 = 5 pF, Ls2 = 100 nH

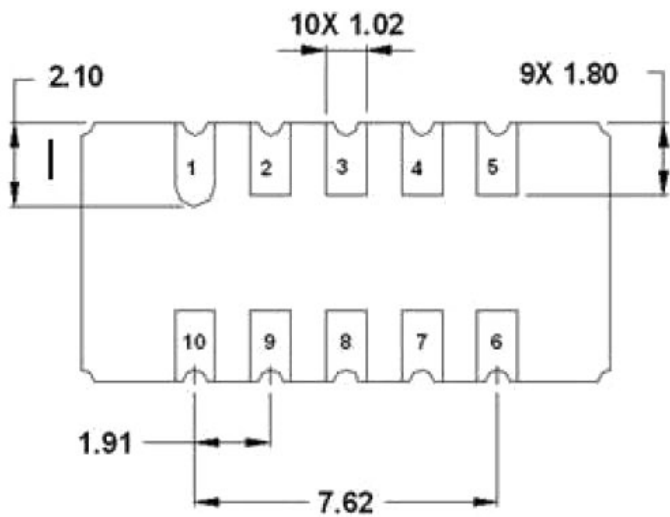
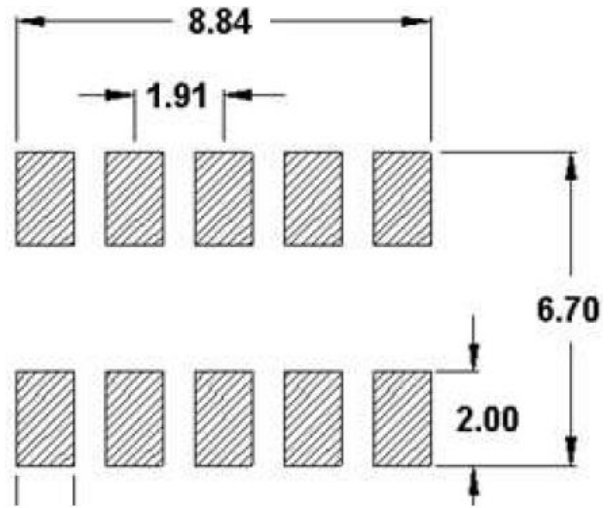
Notes:

- Recommend ± 2% toleranced matching components. Typical inductor Q=40.
- Values shown are for reference only. Actual values are dependent upon board layout.

PACKAGE OUTLINE



SUGGESTED FOOTPRINT



Units: mm

Tolerances are ± 0.15 mm except where indicated.

Pad Configuration:

- Input: 10
- Output: 5
- Ground: All other pads

Package Material:
 Body: Al_2O_3 ceramic
 Lid: Kovar, Ni plated
 Terminations: Au plating 1 μ m min, over a 1.3 - 8.9 μ m Ni plating

MARKING

