



Series 154 Yellow Streak Jumpers on .100 [2.54] Centers

FEATURES:

- A low-cost jumper available with (Series 154YP) or without (Series 154YS) pitch bars.
- Pitch bars help maintain .100 [2.54] conductor spacing.

SPECIFICATIONS:

- Pitch bar is Black UL 94-V0 Glass Filled 4/6 Nylon.
- Cable insulation is UL Style 1061 Polyvinyl Chloride (PVC), semi-rigid.
- Laminate is clear PVC, self-extinguishing.
- Conductors are 24 AWG, Tinned, solid Copper.
- Cable current rating=1 Amp @ 10°C [50°F] above ambient.
- Cable voltage rating=300 Volts.
- Cable temperature rating=176°F [80°C].

MOUNTING CONSIDERATIONS:

- Suggested PCB hole size=.030 ± .002 [.76 ± .05].

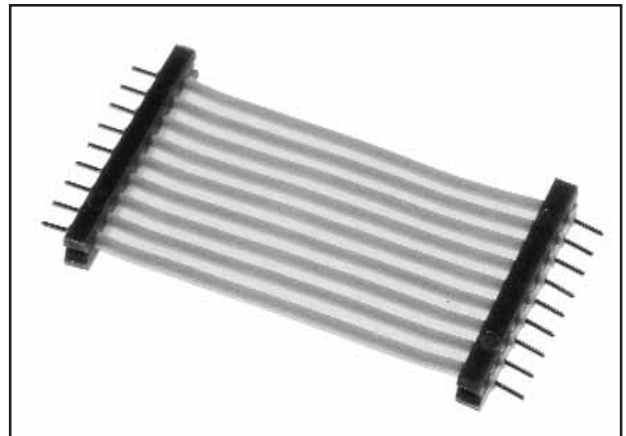
ALL DIMENSIONS: INCHES [MILLIMETERS]

All tolerances ± .005 [.13]
unless otherwise specified

"A"=(NO. OF CONDUCTORS X .100 [2.54]) + .050 [1.27]

"B"=(NO. OF CONDUCTORS - 1) X .100 [2.54]

"W"=(NO. OF CONDUCTORS X .100 [2.54]) - .016 [.41]



Note: Aries specializes in custom design and production. In addition to the standard products shown on this page, special materials, platings, sizes, and configurations can be furnished, depending on quantities. Aries reserves the right to change product specifications without notice.

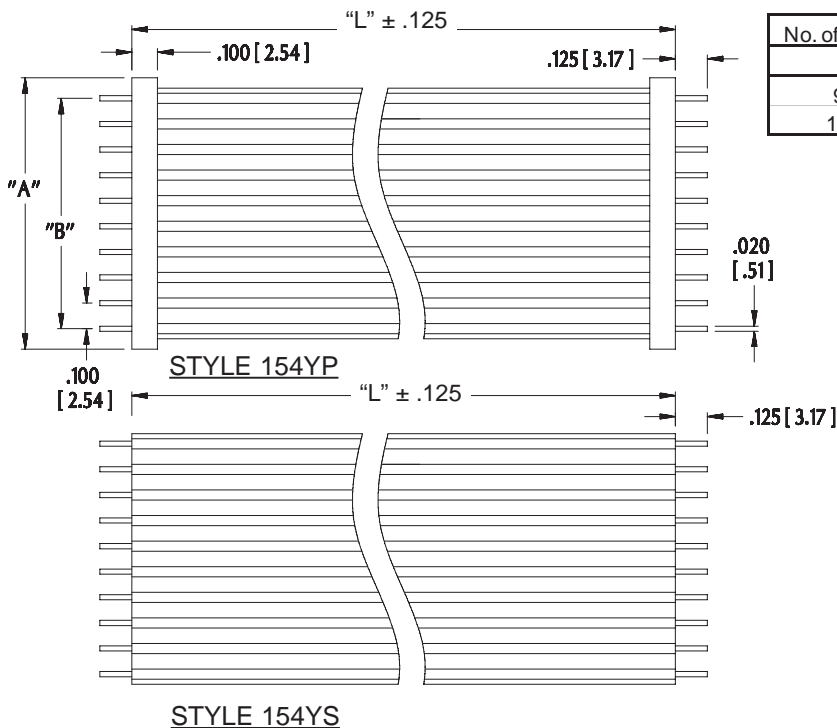
ORDERING INFORMATION

XX-XXX-XXX

No. of conductors
(5 thru 22)

Length "L"
in inches
(see table)

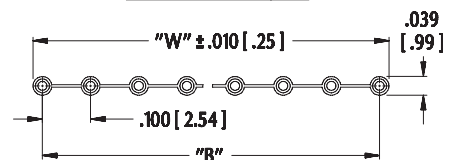
Series:
154YS=bare-ended
154YP=pitch bars



No. of Conductors	Minimum Insulation Length
4 thru 8	1.000 [25.40]
9 and 10	1.250 [31.75]
11 thru 22	1.500 [38.10]

Consult factory for sizes not shown

CABLE DETAIL



Note: Yellow streak jumpers are not for high-flex applications. Use Aries' Staked Flex or In-Line jumpers for high-flex applications. Consult Data Sheet Nos. 11005 and 11014, respectively.

ARIES
ELECTRONICS, INC.
<http://www.arieselec.com> • info@arieselec.com

NORTH AMERICA
Frenchtown, NJ USA
TEL: (908) 996-6841
FAX: (908) 996-3891



EUROPE
TEL: +44 870 240 0249
FAX: +44 871 919 6033
europa@arieselec.com



11015
REV.D