

PRODUCT NUMBER  
20020111-XXXXXXLF

20020111-□ □ □ □ A 0 □ LF

PITCH  
C : 3.50 mm  
D : 3.81 mm  
G : 5.00 mm  
H : 5.08 mm



POLES  
02: 2 POLES  
03: 3 POLES  
04: 4 POLES  
.  
.  
.  
24: 24 POLES

LF : DENOTED ROHS COMPATIBLE  
1 : STANDARD PRODUCT  
W/ BOX PACKING

HOUSING CODE


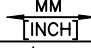

CODE	COLOR	AVAILABILTY
1	GREEN(RAL 6018/T)	STANDARD
2	BLACK	ON REQUEST ONLY
3	GREY(RAL 7004/P)	ON REQUEST ONLY
4	BLUE(RAL 5015/A)	ON REQUEST ONLY

PROPERTY TABLE

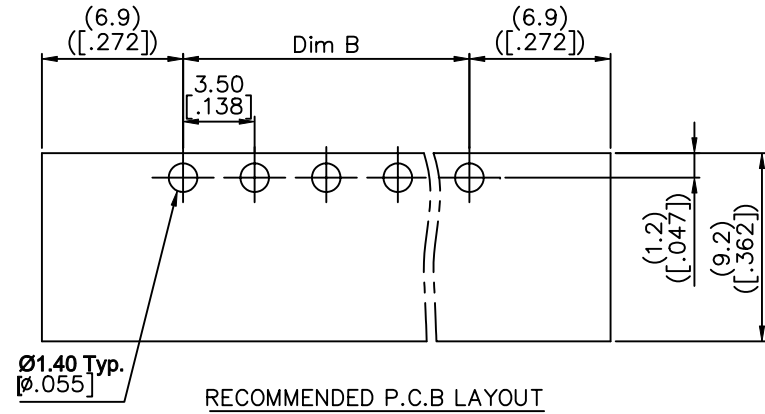
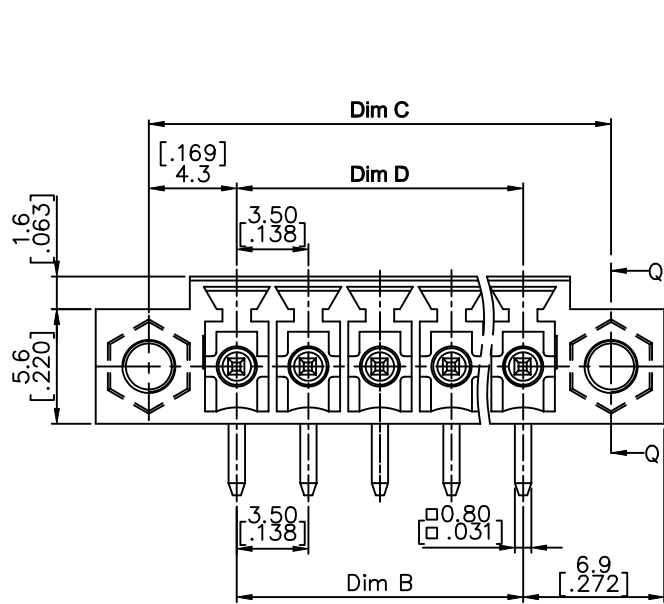
FCI SERIES NAME		06-350	06-381	06-500	06-508
PITCH (mm)		3.50	3.81	5.00	5.08
VOLTAGE RATING (VAC)		300	300	300	300
CURRENT RATING (A)	cULus	10	10	12	12
	VDE	10.5	10.5	NA	NA
WITHSTANDING VOLTAGE (kV)	cULus	1.6	1.6	1.6	1.6
	VDE	2.5	2.5	NA	NA
OPERATING TEMP. (°C)		-40~+115	-40~+115	-40~+115	-40~+115
SOLDERING TEMP. (°C)		250±10 (5 sec.)	250±10 (5 sec.)	250±10 (5 sec.)	250±10 (5 sec.)
POLES AVAILABLE		02~24	02~24	02~24	02~24
SAFETY CERTIFICATE					

NOTES:

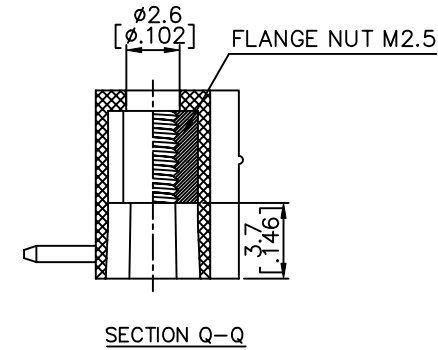
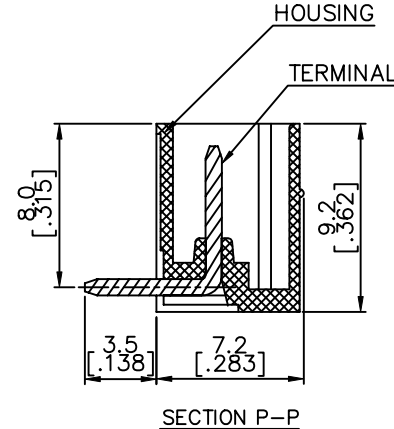
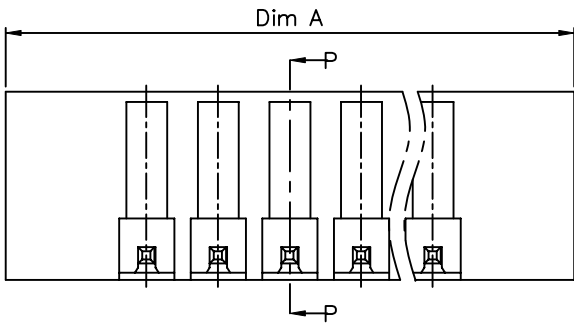
- MATERIALS  
1-1 HOUSING: THERMALPLASTIC RESIN, UL 94V-0 RATED.  
1-2 TERMINAL: COPPER ALLOY, TIN PLATED.
- PRODUCT SPECIFICATION REFER TO FCI GS-12-625.
- BOXED PACKAGING,  
DETAILED PRODUCT PACKING SPECIFICATION REFER TO FCI GS-14-1394.
- FCI, SAFETY CERTIFICATE LOGO AND SERIES NAME TO BE SHOWN ON PRODUCT SURFACE.
- THE PRODUCTS WHERE THE PART NUMBER END IN "LF" MEET THE EUROPEAN UNION DIRECTIVE AND OTHER COUNTRY REGULATIONS AS DESCRIBED IN GS-22-008.
- RECOMENDED SOLDERING PROCESS BY WAVE SOLDER.

mat'l. code		surface ASME Y14.5 ✓		tolerance ASME Y14.5		projection	product family	
ltr	ecn no	dr	date	tolerances unless otherwise specified			TERMINAL BLOCK	
A	T10-0062	WL	050710	angles	X.±0.5[.020]		title	
B	T10-0155	WL	093010	to	X.X±0.3[.012]		TERMINAL BLOCK PLUGGABLE, SOCKET, SIGNAL, R/A W/FLANGE	
C	T10-0187	WL	121410	±1°	X.XX±0.1[.004]	scale	sheet 1 of 5 size	
D	T11-0006	WL	012611	dr	WENDY CHEN	042610	20020111 A4	
E	T11-0013	WL	040811	enr	JASON HSU	042610	type	
F	T-004860	WL	080411	chr	GARY HSIEH	042610	CUSTOMER Drawing	
				appd	JOSEPH HSIA	042610		
sheet index	revision	F	F	F	F	F		
	sheet	1	2	3	4	5		

PRODUCT NUMBER	SERIES NAME	PITCH
20020111-CXXXXXXLF	06-350	3.50 mm



RECOMMENDED P.C.B LAYOUT



N= Number of poles

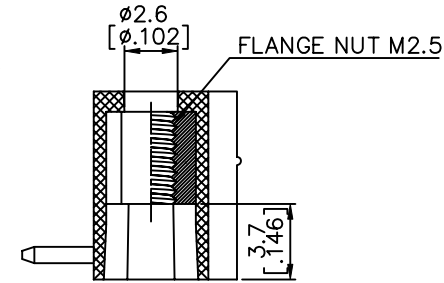
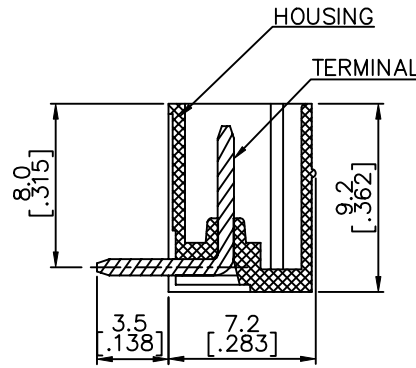
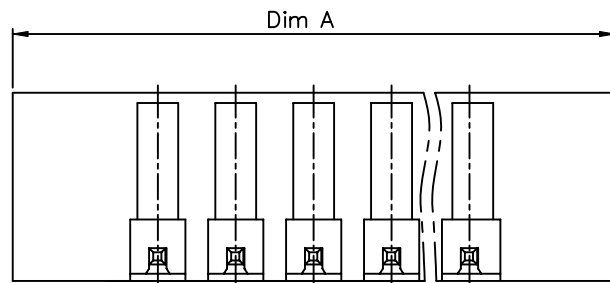
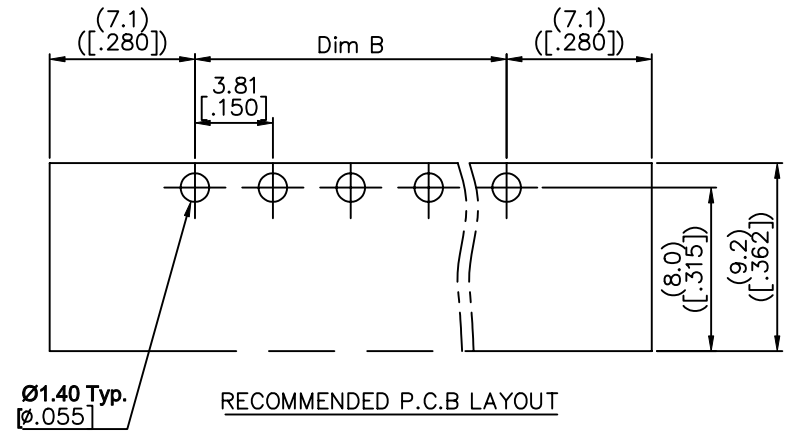
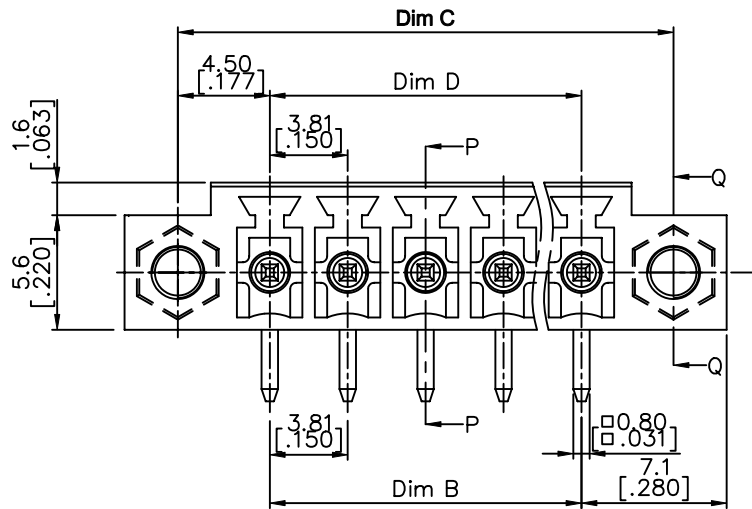
Dim A	$(N-1)*3.5[.138]+13.8[.543]$
Dim B	$(N-1)*3.5[.138]$
Dim C	$(N-1)*3.5[.138]+8.6[.339]$
Dim D	$(N-1)*3.5[.138]$

Poles	Tolerance
2p-6p	$\pm 0.15[.006]$
7p-12p	$\pm 0.20[.008]$
13p-16p	$\pm 0.25[.010]$
17p-24p	$\pm 0.30[.012]$

mat'l. code	surface ASME Y14.5	tolerance ASME Y14.5	projection	product family TERMINAL BLOCK
ltr	ecn no	dr	date	title
F				TERMINAL BLOCK PLUGGABLE, SOCKET, SIGNAL, R/A W/FLANGE
	angles	in	MM	scale
		in	[INCH]	
	X°±1'	X.XX±0.1[.004]		
	dr	WENDY CHEN	042610	dwg no
	enr	JASON HSU	042610	sheet 2 of 5
	chr	GARY HSIEH	042610	20020111
	appd	JOSEPH HSIA	042610	A4
sheet index	revision sheet			type CUSTOMER Drawing



PRODUCT NUMBER	SERIES NAME	PITCH
20020111-DXXXXXXLF	06-381	3.81 mm



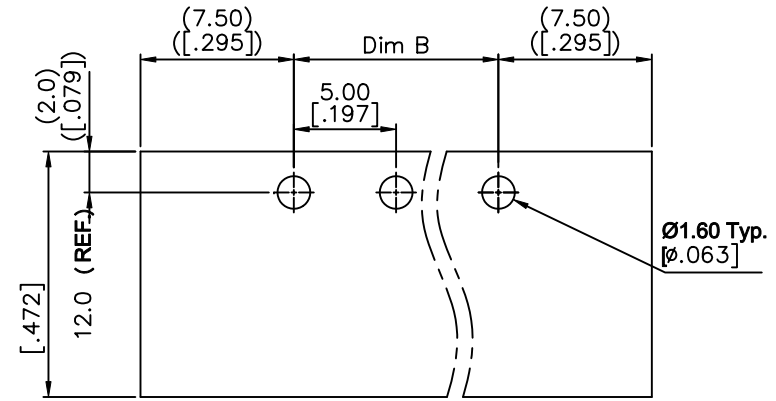
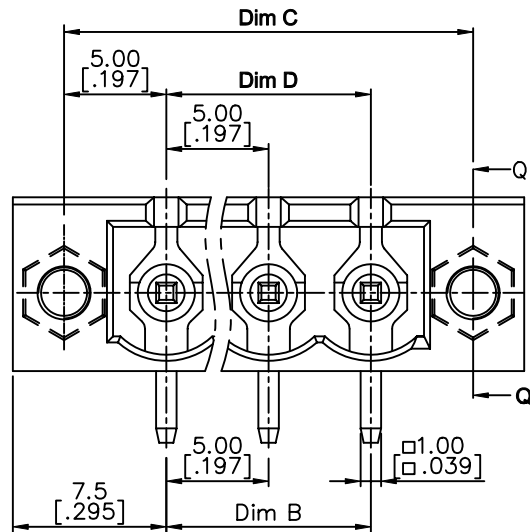
N= Number of poles

Dim A	$(N-1)*3.81[.150]+14.2[.559]$
Dim B	$(N-1)*3.81[.150]$
Dim C	$(N-1)*3.81[.150]+9.0[.354]$
Dim D	$(N-1)*3.81[.150]$

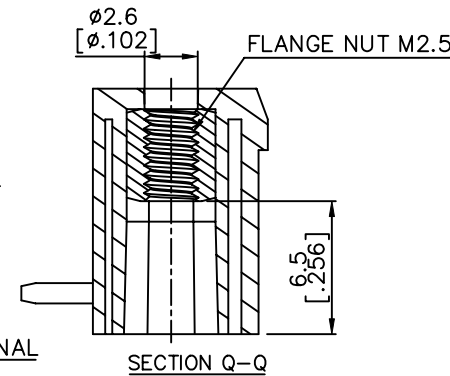
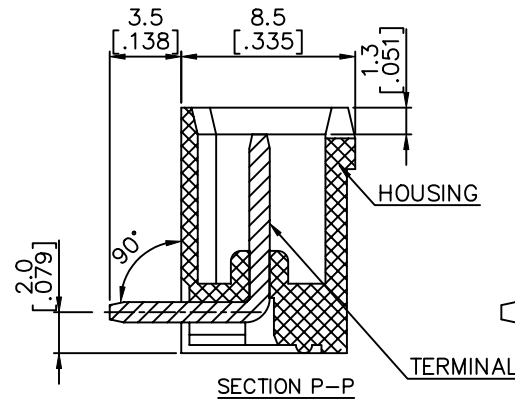
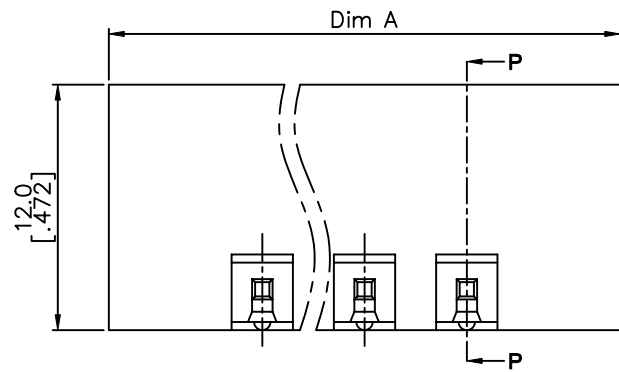
Poles	Tolerance
2p-6p	$\pm 0.15[.006]$
7p-12p	$\pm 0.20[.008]$
13p-16p	$\pm 0.25[.010]$
17p-24p	$\pm 0.30[.012]$

mat'l. code	surface ASME Y14.5	tolerance ASME Y14.5	projection	product family TERMINAL BLOCK
ltr	ecn no	dr	date	title
F				TERMINAL BLOCK PLUGGABLE, SOCKET, SIGNAL, R/A W/FLANGE
	angles	in	tolerance	dwg no
				sheet 3 of 5 size
				20020111
				A4
				type
				CUSTOMER Drawing
sheet index	revision sheet			

PRODUCT NUMBER	SERIES NAME	PITCH
20020111-GXXXXXL	06-500	5.00 mm



RECOMMENDED PCB LAYOUT



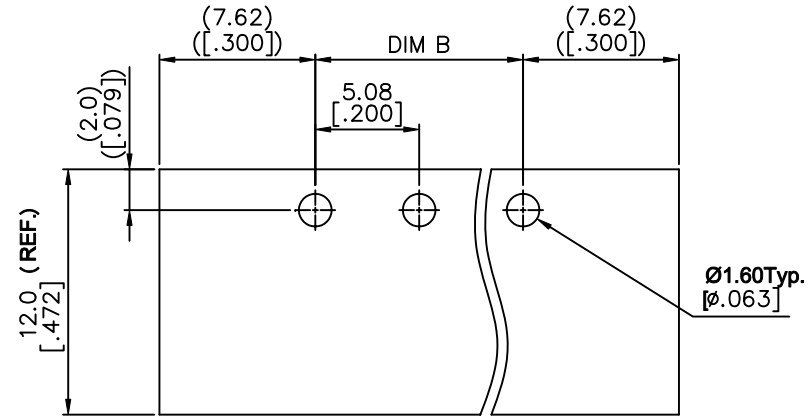
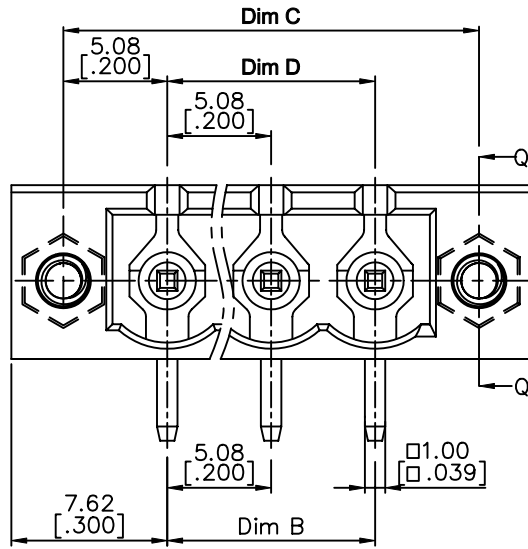
N= NUMBER OF POLES

Dim A	(N+2)*5.0 [.197]
Dim B	(N-1)*5.0 [.197]
Dim C	(N+1)*5.0 [.197]
Dim D	(N-1)*5.0 [.197]

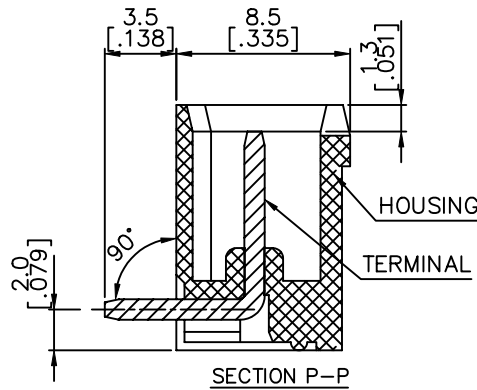
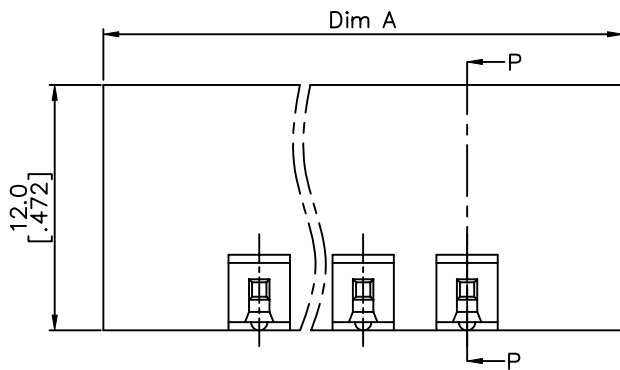
Poles	Tolerance
2P-6P	±0.15 [.006]
7P-12P	±0.20 [.008]
13P-18P	±0.25 [.010]
19P-24P	±0.30 [.012]

mat'l. code	surface ASME Y14.5	tolerance ASME Y14.5	projection	product family
ltr	ecn no	dr	date	TERMINAL BLOCK
F				title
				TERMINAL BLOCK
				PLUGGABLE, SOCKET, SIGNAL, R/A
				W/FLANGE
				dwg no
				sheet 4 of 5 size
				20020111
				A4
				type
				CUSTOMER Drawing
sheet index	revision sheet			

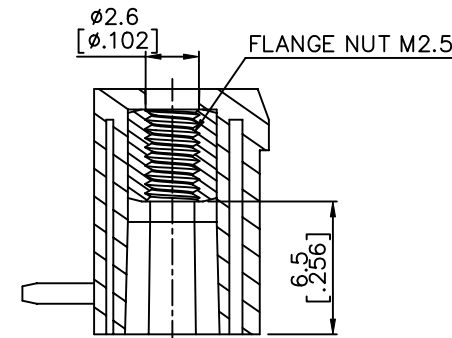
PRODUCT NUMBER	SERIES NAME	PITCH
20020111-HXXXXXXLF	06-508	5.08 mm



RECOMMENDED PCB LAYOUT



SECTION P-P



SECTION Q-Q

N= NUMBER OF CONCATS

Dim A	(N+2)*5.08 [.200]
Dim B	(N-1)*5.08 [.200]
Dim C	(N+1)*5.08 [.200]
Dim D	(N-1)*5.08 [.200]

Poles	Tolerance
2P-6P	±0.15 [.006]
7P-12P	±0.20 [.008]
13P-18P	±0.30 [.012]
19P-24P	±0.40 [.016]

mat'l. code	surface ASME Y14.5	tolerance ASME Y14.5	projection	product family TERMINAL BLOCK
ltr	ecn no	dr	date	title
F				TERMINAL BLOCK PLUGGABLE, SOCKET, SIGNAL, R/A W/FLANGE
	angles	int	tolerances unless otherwise specified	MM INCH
	X±1°	X.X±0.5 [.020]		scale
		X.X±0.3 [.012]		
		X.XX±0.1 [.004]		
	dr	WENDY CHEN	042610	FCI
	enr	JASON HSU	042610	dwg no
	chr	GARY HSIEH	042610	20020111
	appd	JOSEPH HSIA	042610	sheet 5 of 5 size
				A4
sheet index	revision sheet			type CUSTOMER Drawing