

120mm sq.

San Ace 120

25mm thick (S type), 25mm thick (GV type)
 25mm thick (G type), 38mm thick (HV type)
 38mm thick (GV type), 38mm thick (G type)
 38mm thick (SG type)



Model no. 9G1212B401 is not certified.

General Specifications

- Material Frame: Plastics (Flammability: UL94V-0),
 Impeller: Plastics (Flammability: UL94V-1)
- Expected Life Refer to specifications (L10:Survival rate:90% at 60°C ,
 rated voltage, and continuously run in a free air state)
- Lead Wire ⊕red ⊖black or blue (Sensor) yellow
- Storage Temperature -30°C to +70°C (Non-condensing)

120×120×25mm [Mass : 240g] **G type**

Specifications

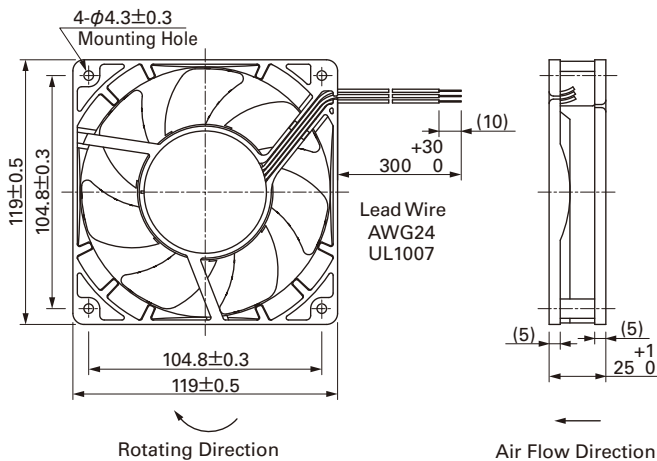
The following nos. **have pulse sensors and ribs**. For ribless, append "1" to the model no.

| Model No. | Rated Voltage [V] | Operating Voltage Range [V] | Rated Current [A] | Rated Input [W] | Rated Speed [min ⁻¹] | Max. Air Flow [m ³ /min] [CFM] | Max. Static Pressure [Pa] [inchH ₂ O] | SPL [dB(A)] | Operating Temperature [°C] | Expected Life [h] |
|------------|-------------------|-----------------------------|-------------------|-----------------|----------------------------------|---|--|-------------|----------------------------|-------------------|
| 9G1212G401 | 12 | 10.2 to 13.8 | 0.90 | 10.8 | 4,100 | 3.68 130 | 120 0.482 | 51 | -20 to +70 | 40,000 |
| 9G1212E401 | | | 0.58 | 6.96 | 3,650 | 3.25 115 | 98 0.394 | 48 | | |
| 9G1212A401 | | | 0.40 | 4.80 | 3,150 | 2.83 100 | 77 0.309 | 44 | | |
| 9G1212H401 | | 6 to 13.8 | 0.31 | 3.72 | 2,850 | 2.50 88 | 64 0.257 | 40 | | |
| 9G1212F401 | | 7 to 13.8 | 0.19 | 2.28 | 2,250 | 1.98 70 | 42 0.169 | 35 | | |
| 9G1212M401 | | 10.2 to 13.8 | 0.14 | 1.68 | 1,950 | 1.66 59 | 31 0.124 | 29 | | |
| 9G1212B401 | | | 0.06 | 0.72 | 1,000 | 0.88 31 | 9.6 0.039 | 18 | | |
| 9G1224G401 | 24 | 20.4 to 27.6 | 0.47 | 11.28 | 4,100 | 3.68 130 | 120 0.482 | 51 | | |
| 9G1224E401 | | | 0.37 | 8.88 | 3,650 | 3.25 115 | 98 0.394 | 48 | | |
| 9G1224A401 | | | 0.21 | 5.04 | 3,150 | 2.83 100 | 77 0.309 | 44 | | |
| 9G1224H401 | | 12 to 27.6 | 0.17 | 4.08 | 2,850 | 2.50 88 | 64 0.257 | 40 | | |
| 9G1224F401 | | 20.4 to 27.6 | 0.10 | 2.40 | 2,250 | 1.98 70 | 42 0.169 | 35 | | |
| 9G1224M401 | | | 0.08 | 1.92 | 1,950 | 1.66 59 | 31 0.124 | 29 | | |
| 9G1248G401 | | 48 | 40.8 to 55.2 | 0.23 | 11.04 | 4,100 | 3.68 130 | 120 0.482 | | |
| 9G1248E401 | 0.16 | | | 7.68 | 3,650 | 3.25 115 | 98 0.394 | 48 | | |
| 9G1248A401 | 0.13 | | | 6.24 | 3,150 | 2.83 100 | 77 0.309 | 44 | | |
| 9G1248H401 | 0.10 | | | 4.80 | 2,850 | 2.50 88 | 64 0.257 | 40 | | |
| 9G1248F401 | 0.06 | | | 2.88 | 2,250 | 1.98 70 | 42 0.169 | 35 | | |
| 9G1248M401 | 0.05 | | | 2.40 | 1,950 | 1.66 59 | 31 0.124 | 29 | | |

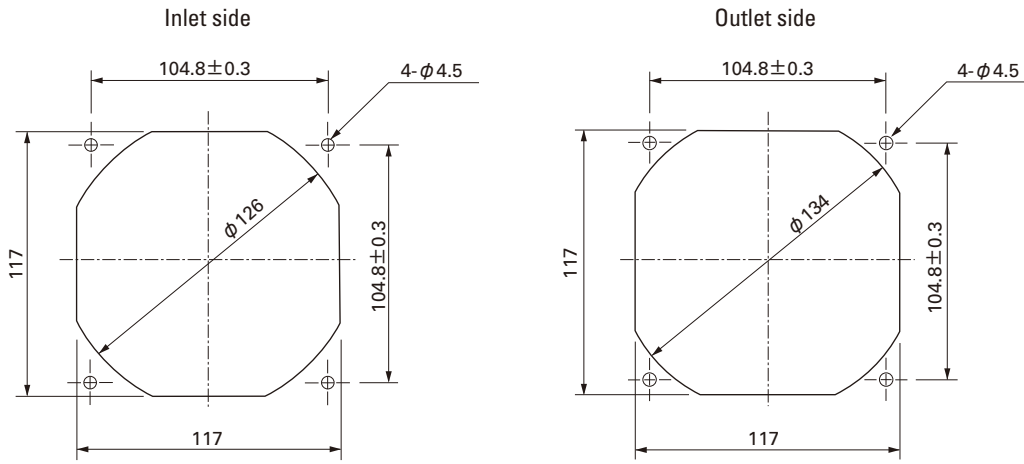
Available options: ⇒ **Without Sensor**

Please inquire as the availability of these functions depend on the model. ⇒ **Lock Sensor** **Low speed Sensor** **PWM Control**

Dimensions (Unit : mm) (With ribs)



Reference dimension of mounting holes and vent opening (Unit : mm)

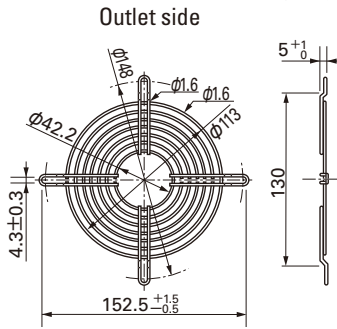


Options (Unit : mm)

Finger guards

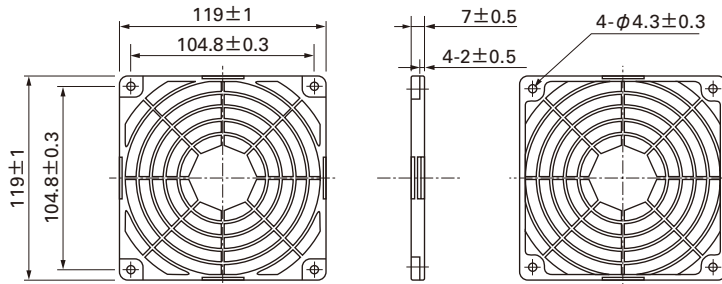
Model : 109-019C Surface treatment : Nickel-chrome plating (silver)
 : 109-019H : Cation electropainting (black)

Color



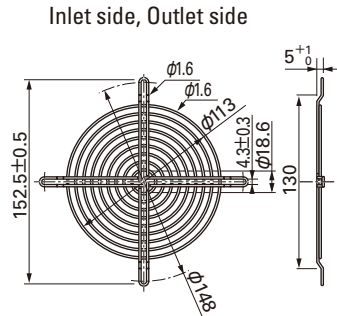
Resin finger guards

Model : 109-1000G



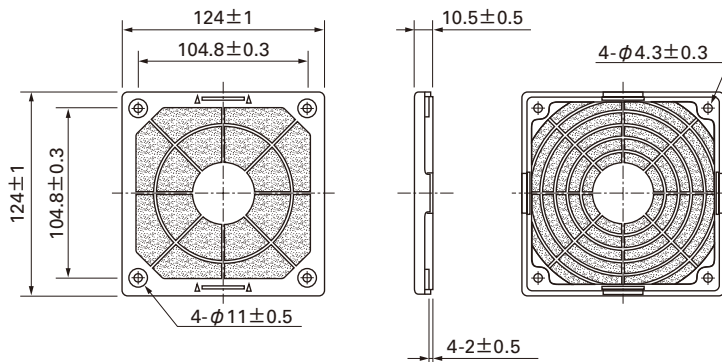
Model : 109-019E Surface treatment : Nickel-chrome plating (silver)
 : 109-019K : Cation electropainting (black)

Color



Resin filter kits

Model : 109-1000F13 (13PPI), 109-1000F20 (20PPI)
 : 109-1000F30 (30PPI), 109-1000F40 (40PPI)

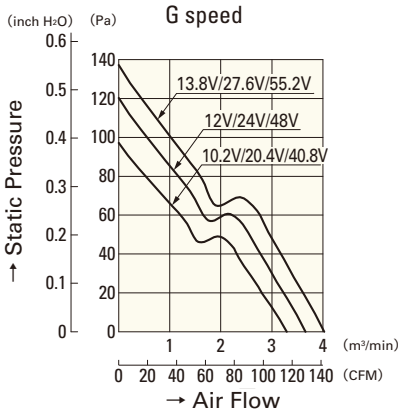


120mm sq.

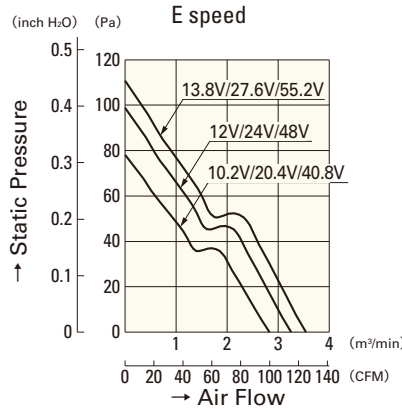
San Ace 120

120×120×25mm [Mass : 240g]

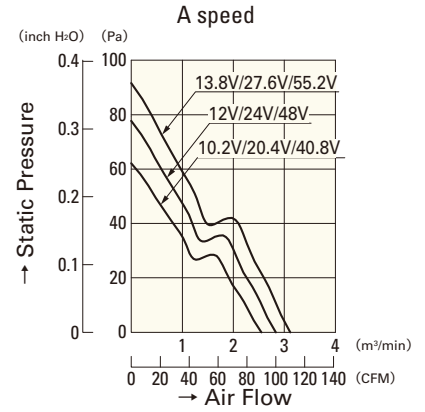
Air Flow - Static Pressure Characteristics



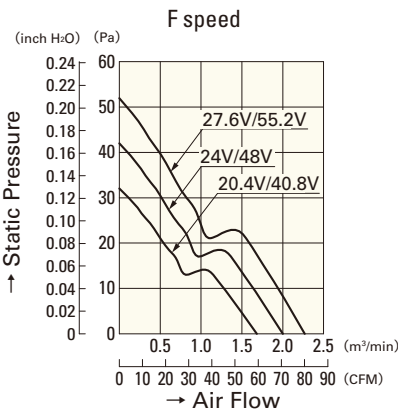
- 9G1212G401**
- 9G1224G401**
- 9G1248G401**



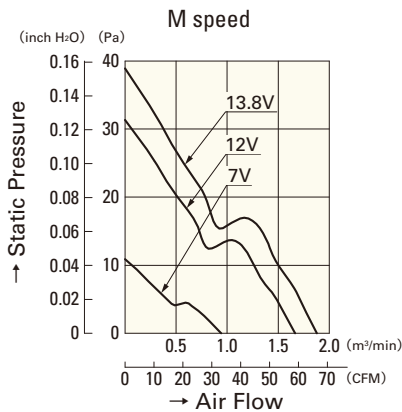
- 9G1212E401**
- 9G1224E401**
- 9G1248E401**



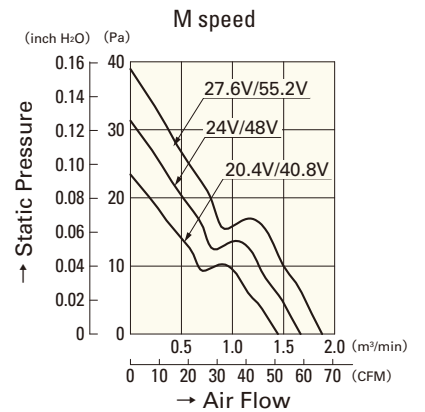
- 9G1212A401**
- 9G1224A401**
- 9G1248A401**



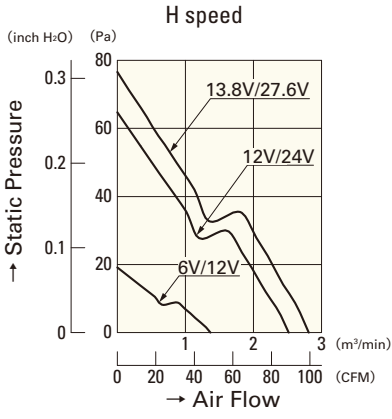
- 9G1224F401**
- 9G1248F401**



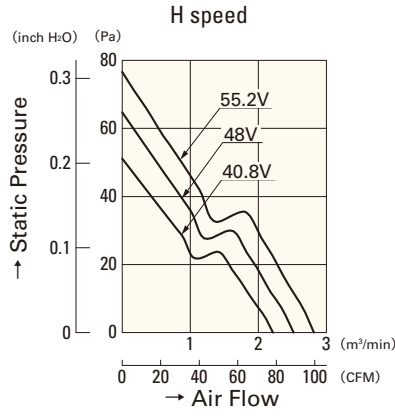
- 9G1212M401**



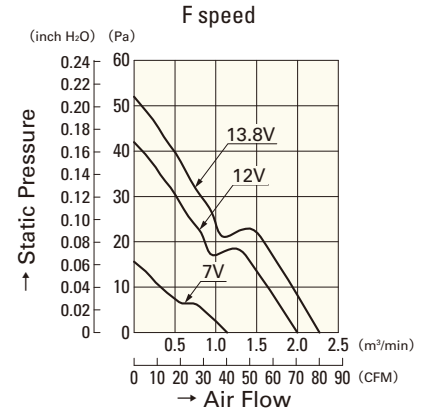
- 9G1224M401**
- 9G1248M401**



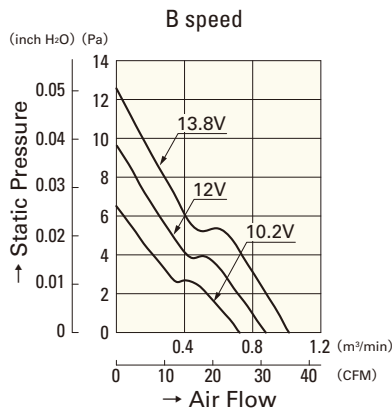
9G1212H401
9G1224H401



9G1248H401



9G1212F401



9G1212B401