

92mm sq.

San Ace 92WS

25mm thick(W_S type), 25mm thick(W_P type)
38mm thick(W_V type)



General Specifications

- Material Frame: Plastics (Flammability: UL94V-0),
Impeller: Plastics (Flammability: UL94V-1)
- Expected Life Refer to specifications (Indoor, L10:Survival rate: 90% at 60°C,
rated voltage, and continuously run in a free air state)
- Lead Wire ⊕red ⊖black or blue (Sensor) yellow
- Storage Temperature -30°C to +70°C (Non-condensing)

92×92×25mm (Mass : 150g) **IP 54** **WS**type

Specifications

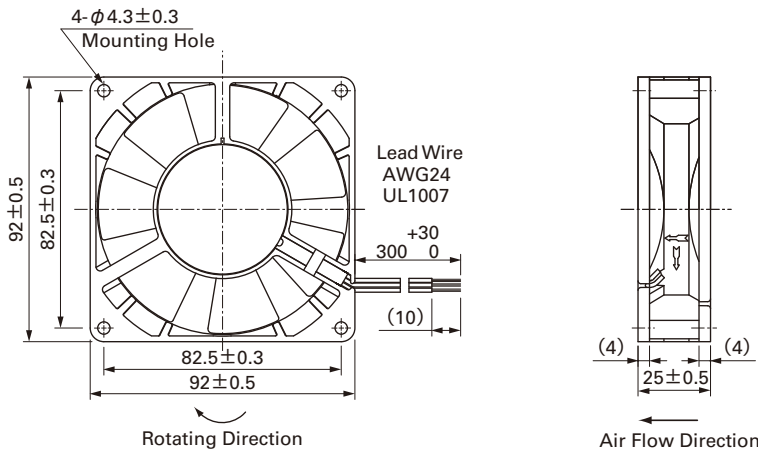
The following nos. **have pulse sensors and ribs.**

Model No.	Rated Voltage [V]	Operating Voltage Range [V]	Rated Current [A]	Rated Input [W]	Rated Speed [min ⁻¹]	Max. Air Flow [m ³ /min] [CFM]	Max. Static Pressure [Pa] [inchH ₂ O]	SPL [dB(A)]	Operating Temperature [°C]	Expected Life [h]
9WS0912H401	12	10.2 to 13.8	0.17	2.04	2,850	1.38 48.7	45.1 0.181	33	- 20 to + 70	40,000
9WS0912F401			0.13	1.56	2,450	1.18 41.7	32.3 0.130	30		
9WS0912M401			0.1	1.2	2,100	1.01 35.7	23.5 0.094	27		
9WS0912L401			0.06	0.72	1,700	0.8 28.2	16.7 0.067	23		
9WS0924H401	24	20.4 to 27.6	0.1	2.4	2,850	1.38 48.7	45.1 0.181	33		
9WS0924F401			0.07	1.68	2,450	1.18 41.7	32.3 0.130	30		
9WS0924M401			0.06	1.44	2,100	1.01 35.7	23.5 0.094	27		
9WS0924L401			0.05	1.2	1,700	0.8 28.2	16.7 0.067	23		

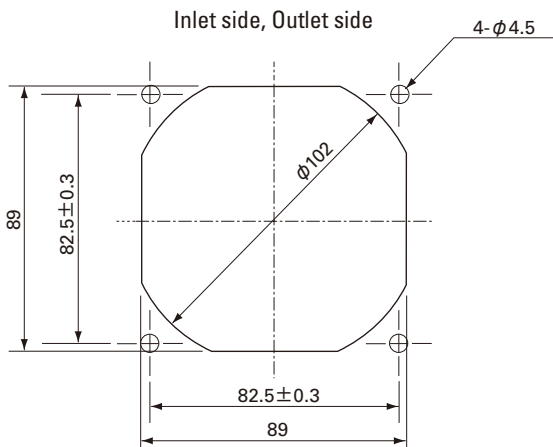
Available options: ⇒ **Without Sensor**

Please inquire as the availability of these functions depend on the model. ⇒ **Lock Sensor**

Dimensions (Unit : mm)



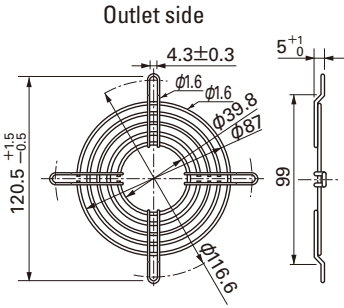
Reference dimension of mounting holes and vent opening (Unit : mm)



Options (Unit : mm)

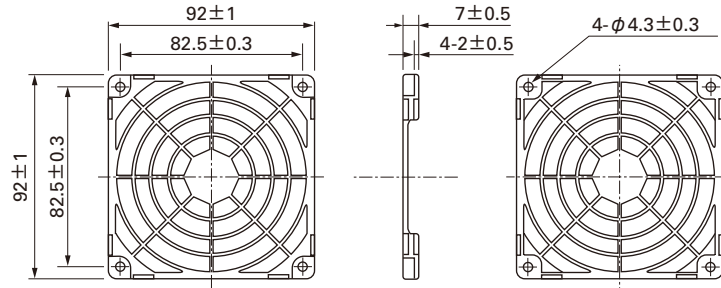
Finger guards

Model : 109-099C Surface treatment : Nickel-chrome plating (silver) Color : Nickel-chrome plating (silver)



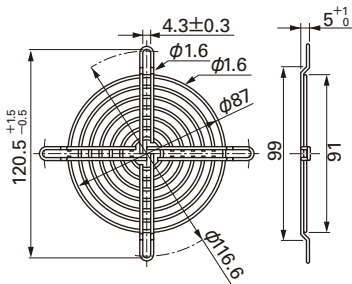
Resin Finger guards

Model : 109-1001G

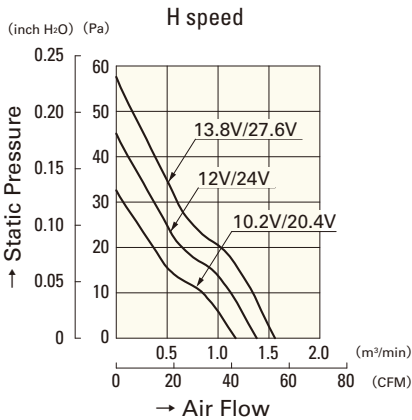


Model : 109-099E Surface treatment : Nickel-chrome plating (silver) Color : Nickel-chrome plating (silver)
: 109-099H : Cation electropainting (black)

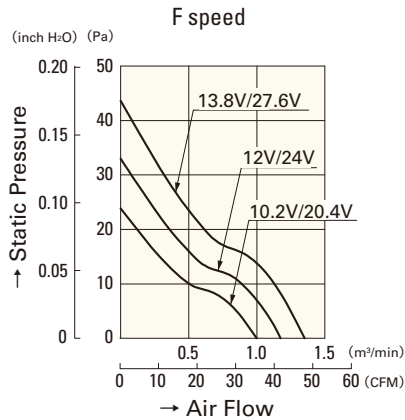
Inlet side, Outlet side



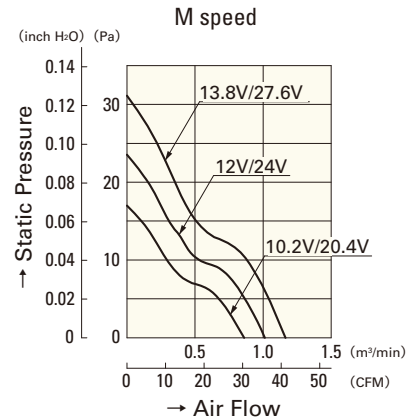
Air Flow - Static Pressure Characteristics



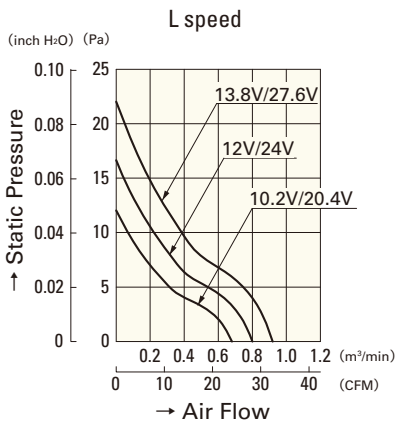
9WS0912H401
9WS0924H401



9WS0912F401
9WS0924F401



9WS0912M401
9WS0924M401



9WS0912L401
9WS0924L401