

## Stud or push fit mount

A range of compact, plastic case suppression filters offering high levels of performance to size ratio. Ideally suited for consumer goods, domestic appliances, vending machines and business equipment.

- Current ratings from 10A to 16A
- Ten performance variants available
- Compact, low-cost package
- Fast-on terminations
- Push-fit mounting option for instant insertion

## Mechanical Specifications

Manufacture: self-extinguishing plastic case UL-94V2;  
 deck UL-94V0;  
 plastic fixing studs M8x10;  
 internal components sealed with UL-94V2  
 self-extinguishing resin;  
 washer and nut separately packed.

Connections: 5 faston 6.3 x 0.8mm.

Available options: 2 additional wire leads. 1.5mm<sup>2</sup> section.  
 push-fit stud and spring washer

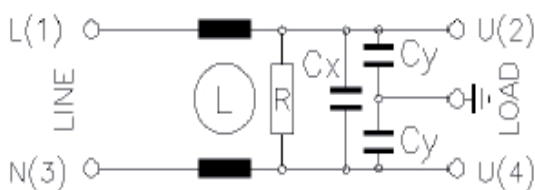
## Filter Range

Code	I <sub>R</sub> (A)	L (mH)	C <sub>x</sub> (μF)	C <sub>y</sub> (pF)	I <sub>L</sub> (mA)	R (MΩ)	DxH (mm)
FNC1005154472-	10	0.5	0.15	2 x 4700	2 x 0.43	1	40 x 40
FNC1005154103-	10	0.5	0.15	2 x 10000	2 x 0.91	1	40 x 40
FNC1005474253-	10	0.5	0.47	2 x 25000	2 x 2.3	0.68	40 x 40
FNC1005474273-	10	0.5	0.47	2 x 27000	2 x 2.5	0.68	40 x 40
FNC1610254273-	16	1	0.25	2 x 27000	2 x 2.5	1	40 x 50
FNC1610474472-	16	1	0.47	2 x 4700	2 x 0.43	0.68	40 x 50
FNC1610474103-	16	1	0.47	2 x 10000	2 x 0.91	0.68	40 x 50
FNC1610474253-	16	1	0.47	2 x 25000	2 x 2.3	0.68	40 x 50
FNC1610474273-	16	1	0.47	2 x 27000	2 x 2.5	0.68	40 x 50
FNC1610684273-	16	1	0.68	2 x 27000	2 x 2.5	0.47	40 x 50

A = Stud mounting  
 P = Push-fit mounting

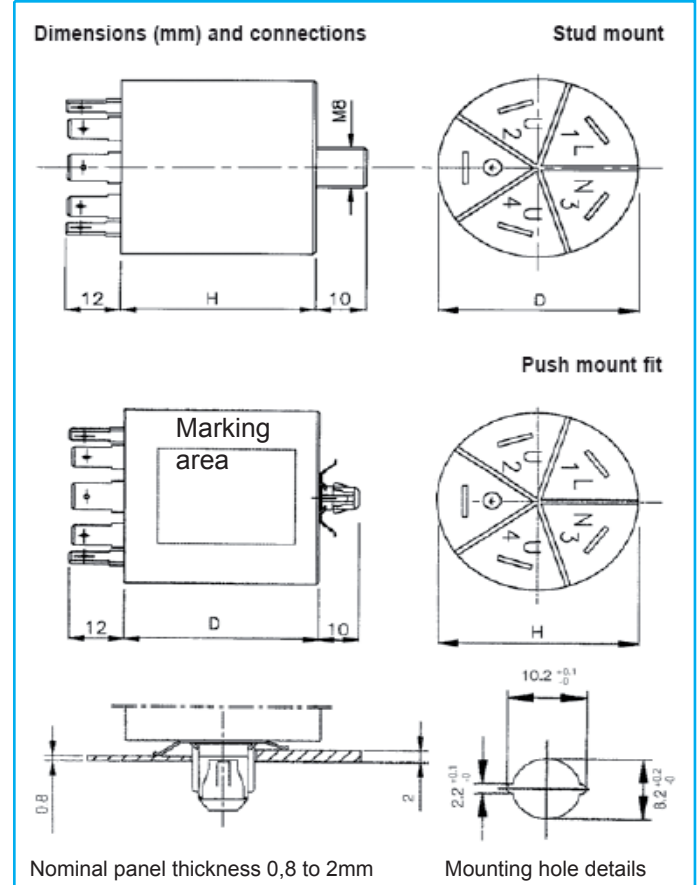
\* other variants on request

## Circuit diagram



## Electrical Specifications

Rated voltage (V<sub>R</sub>): max 275V, 50/60Hz  
 Rated current (I<sub>R</sub>): referred to room temperature = 40°C  
 Leakage current (I<sub>L</sub>): at 220V, 50Hz, max value  
 Voltage test (2 s.): line to ground 3000Vdc or 1800Vac  
 line to line 1700Vdc  
 Climatic category: HMF (25/100/21);  
 Temperature range: -25°C to +100°C



Insertion loss (typical): — Asymmetrical (line to ground) - - - Symmetrical (line to line)

