

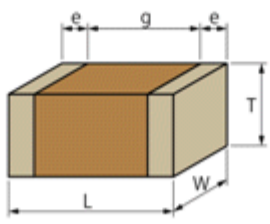

GCM21BR71C335KA73#

"#" indicates a package specification code.

Available   Complies with RoHS 

< List of part numbers with package codes >
GCM21BR71C335KA73L , GCM21BR71C335KA73K

Shape

| | |
|---------------------------------------|---------------|
| L size | 2.0 ± 0.15mm |
| W size | 1.25 ± 0.15mm |
| T size | 1.25 ± 0.15mm |
| External terminal width e | 0.2 to 0.7mm |
| Distance between external terminals g | 0.7mm min. |
| Size code in mm(inch) | 2012 (0805) |

References

| Packaging | Specifications | Minimum quantity |
|-----------|-----------------------|------------------|
| L | 180mm Embossed taping | 3000 |
| K | 330mm Embossed taping | 10000 |

| Mass (typ.) | |
|-------------|------|
| 1 piece | 17mg |
| 180mm Reel | 102g |

Specifications

| | |
|--|-------------|
| Capacitance | 3.3μF ± 10% |
| Rated voltage | 16Vdc |
| Temperature characteristics (complied standard) | X7R(EIA) |
| Capacitance change rate | ± 15.0% |
| Temperature range of temperature characteristics | -55 to 125 |
| Operating temperature range | -55 to 125 |

Attention

- 1.This datasheet is downloaded from the website of Murata Manufacturing Co., Ltd. Therefore, it ' s specifications are subject to change or our products in it may be discontinued without advance notice. Please check with our sales representatives or product engineers before ordering.
- 2.This datasheet has only typical specifications because there is no space for detailed specifications. Therefore, please review our product specifications or consult the approval sheet for product specifications before ordering.