

Features

- ◆ Compact high voltage power supplies
- ◆ Full SMD design with ceramic capacitors for highest reliability
- ◆ Positive or negative polarity models
- ◆ PCB- and flying lead versions
- ◆ Excellent output stability
- ◆ Low temperature coefficient
- ◆ Ultra low ripple
- ◆ Remote voltage programming 0 to 100 %
- ◆ Short circuit protection
- ◆ Shielded metal case
- ◆ 3-year product warranty



The THV / SHV series are regulated miniature high voltage power modules using SMD and hybrid technology. They are designed for PCB mounting (THV series) or chassis mounting (SHV series). The use of high stability components guarantees a minimal temperature drift and a very stable output voltage. Typical applications for these high voltage power supplies are photomultiplier tubes, gas chromatography, analytical instruments and wherever where small size and high output voltage stability is requested.

Models

Order code	Input voltage range	Output voltage	Output current max.*	Case
THV 12-180P	12 VDC 10.8 – 13.2 VDC	0...+180 VDC	12 mA	A
THV 12-180N		0...-180 VDC	12 mA	A
THV 12-300P		0...+300 VDC	10 mA	A
THV 12-300N		0...-300 VDC	10 mA	A
THV 12-350P		0...+350 VDC	7 mA	A
THV 12-350N		0...-350 VDC	7 mA	A
THV 12-500P		0...+500 VDC	6 mA	B
THV 12-500N		0...-500 VDC	6 mA	B
THV 12-1000P	12 VDC 10.8 – 16.5 VDC	0...+1000 VDC	2 mA	B
THV 12-1000N		0...-1000 VDC	2 mA	B
THV 12-1500P		0...+1500 VDC	1.3 mA	B
THV 12-1500N		0...-1500 VDC	1.3 mA	B
THV 12-2000P		0...+2000 VDC	1 mA	B
THV 12-2000N		0...-2000 VDC	1 mA	B
SHV 12-0.5 K 6000P	12 VDC 10.8 – 13.2 VDC	0...+500 VDC	6 mA	C
SHV 12-0.5 K 6000N		0...-500 VDC	6 mA	C
SHV 12-1.0 K 2000P	12 VDC 10.8 – 16.5 VDC	0...+1000 VDC	2 mA	C
SHV 12-1.0 K 2000N		0...-1000 VDC	2 mA	C
SHV 12-1.5 K 1300P		0...+1500 VDC	1.3 mA	C
SHV 12-1.5 K 1300N		0...-1500 VDC	1.3 mA	C
SHV 12-2.0 K 1000P		0...+2000 VDC	1 mA	C
SHV 12-2.0 K 1000N		0...-2000 VDC	1 mA	C

*see page 2 for max. output current vs output voltage

Appendix P for positive output polarity / Appendix N for negative output polarity

Input Specifications

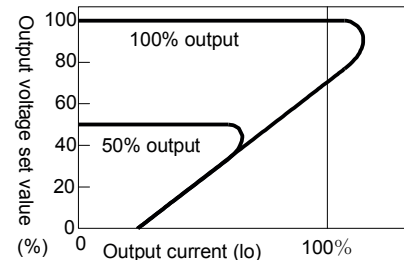
Input voltage 180, 300, 350 & 500 VDC models: +10.8 to +13.2 VDC
other VDC models: +10.8 to +16.5 VDC

Reserve voltage protection none

Conducted noise (input) internal filter

Output Specifications

Max. output current vs output voltage



Voltage set accuracy ±5 %

Voltage adjustment range 0 – 100 %
(adjustable with external voltage 0 to +4 VDC or with 5 kOhm variable resistor)

Remote On/Off control (not for 180, 300, 350 VDC models) On = pin 2 to pin 5 open
Off = pin 2 to pin 5 short

Regulation – Input variation $V_{in \text{ min.}}$ to $V_{in \text{ max.}}$ 0.03 % max.
– Load variation 0 – 100 % 0.5 % max.

Ripple and noise (20 MHz Bandwidth) 180, 300 & 350 VDC models: 30 mVpk-pk typ.
500 VDC models: 10 mVpk-pk typ.
1.0, 1.5 & 2.0 kVDC models: 8 mVpk-pk typ.

Temperature coefficient ±0.01 %/K

Stability 0.05 % 8h after warm-up time

Output current limitation 105 % of $I_{out \text{ max.}}$, fold back

Short circuit protection indefinite, automatic recovery

General Specifications

Temperature ranges – Operating –10°C to +60°C
– Case temperature +95°C max.
– Storage –25°C to +85°C

Derating 4 %/K above 50°C

Humidity (non condensing) 95 % rel H max.

Efficiency 60 – 65 %

Reliability, calculated MTBF (MIL-HDBK-217F, at +25°C, ground benign) >300'000 h

Isolation (Input/Output) – Voltage none

Switching frequency 125 kHz typ. (fixed)

Vibration 5 – 100 Hz amplitude 10 mm pk-pk
10 – 55 Hz acceleration 2 G

Thermal shock acceleration 20 G max. time 11 ms.

Environmental compliance – Reach www.tracopower.com/products/thv-reach.pdf
– RoHS RoHS Directive 2011/65/EU

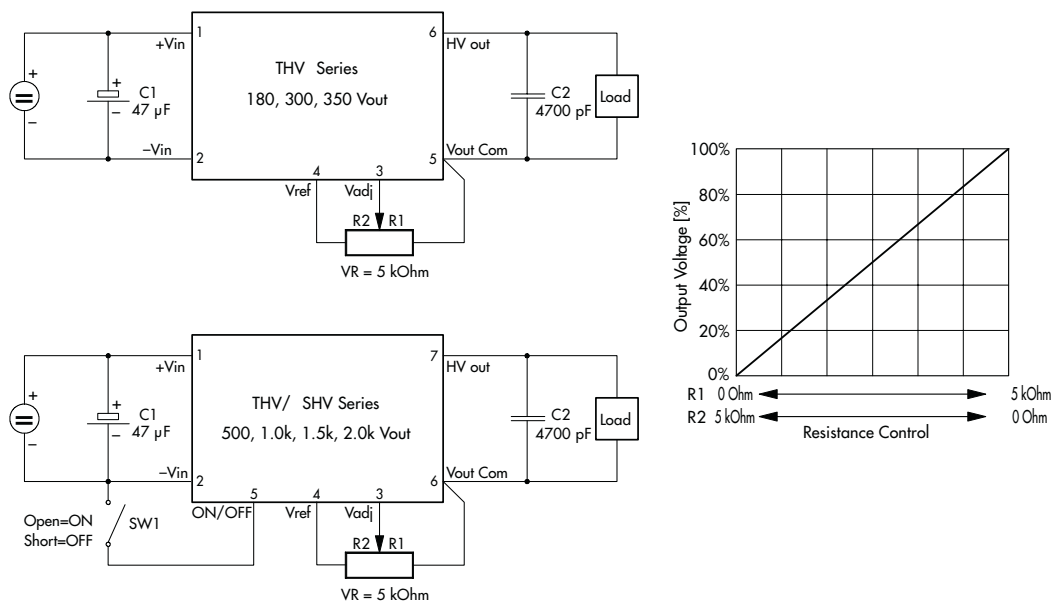
All specifications valid at nominal input voltage, full load and +25°C after warm-up time unless otherwise stated.

Physical Specifications

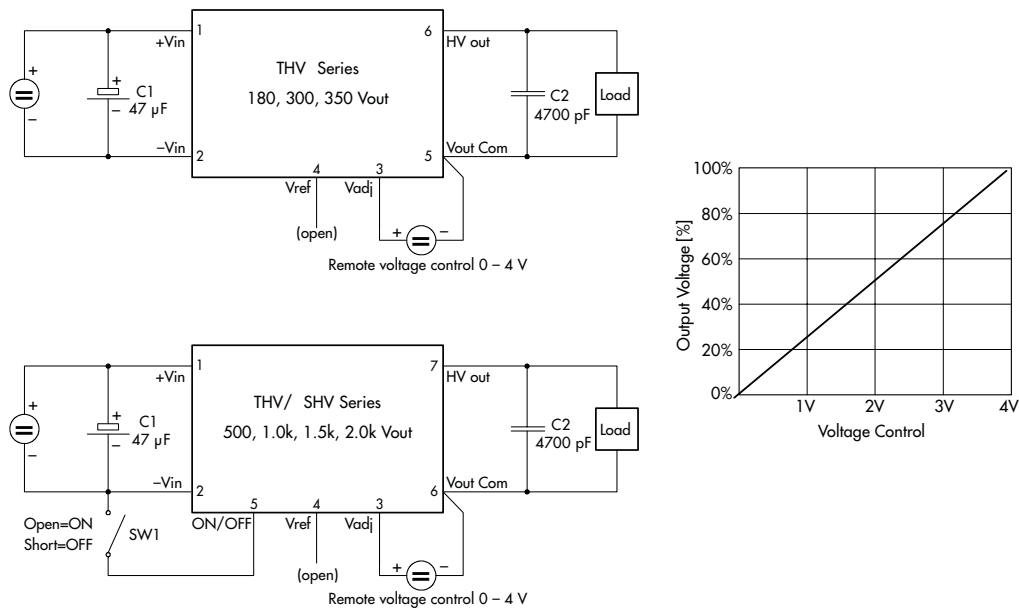
Casing material	Steel chrome-nickel plated
Weight	THV models case A : 47 g (1.66 oz) THV models case B : 65 g (2.29 oz) SHV models : 98 g (3.46 oz)
Soldering temperature	max. 265°C / 10 sec.

Connection Diagram

Connection for remote control by variable resistor

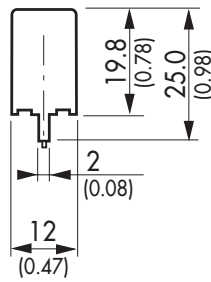
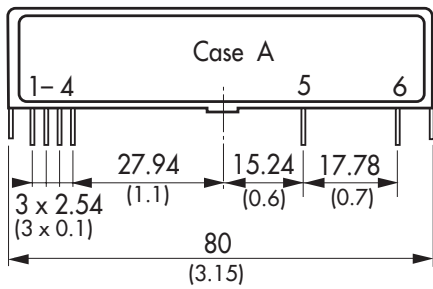


Connection for remote control voltage control



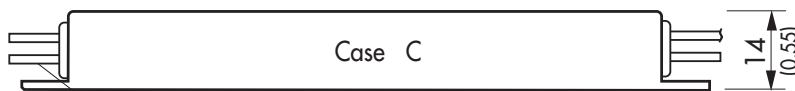
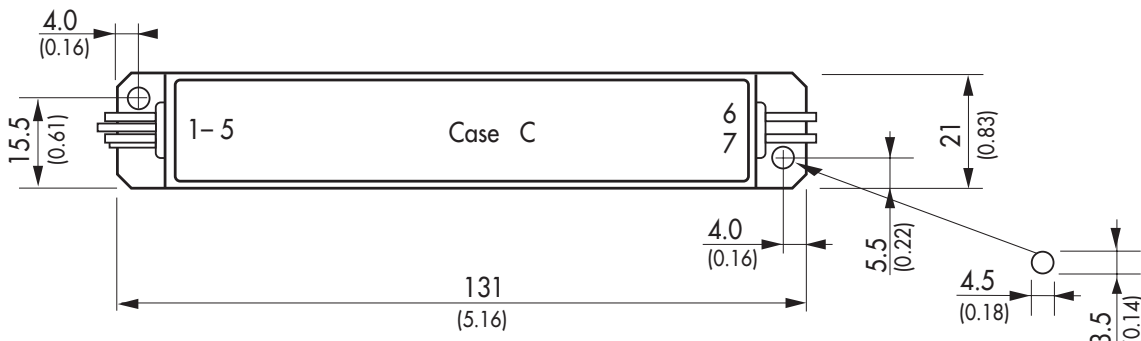
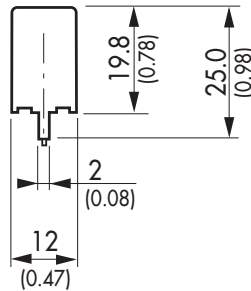
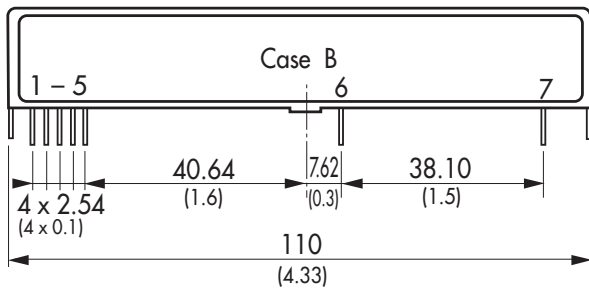
All specifications valid at nominal input voltage, full load and +25°C after warm-up time unless otherwise stated.

Outline Dimensions



Pin-Out

Pin	Case A	Case B
1	+Vin (Vcc)	+Vin (Vcc)
2	-Vin (GND)	-Vin (GND)
3	V adj.	V adj.
4	V ref.	V ref.
5	Common	ON/OFF
6	Vout	Common
7	no pin	Vout



Lead length 250 mm (10.0)

Pin-Out

Pin	Lead color	Case C
1	red	+Vin (Vcc)
2	black	-Vin (GND)
3	yellow	V adj.
4	orange	V ref.
5	blue	ON/OFF
6	black	Common
7	red	Vout

Dimensions in [mm], () = Inch
Pin diameter: 0.65 ±0.05 (0.03 ±0.002)
Tolerances: ±0.5 (±0.02)

Specifications can be changed without notice! Make sure you are using the latest documentation, downloadable at www.tracopower.com