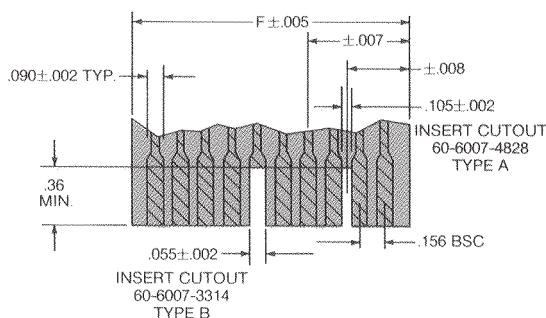
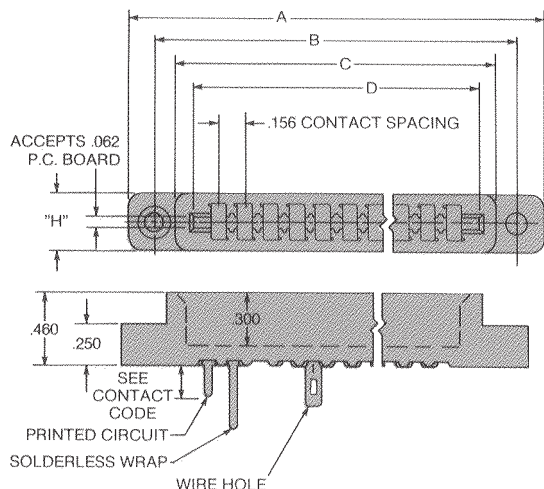
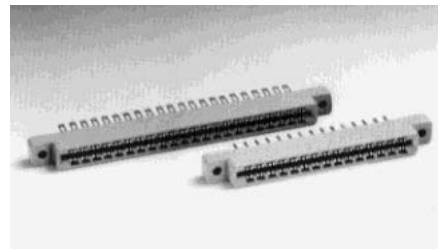


# .156" x .200"

# SERIES 6007

NO. OF CONTACTS		A	B	C	D	E	F	H	J
SINGLE READOUT	DUAL READOUT								
6	12	1.842	1.532	1.246	1.100	1.290	1.086	.343	.380
10	20	2.466	2.156	1.870	1.724	1.910	1.710	.343	.380
12	24	2.778	2.468	2.182	2.036	2.220	2.022	.343	.380
15	30	3.246	2.936	2.650	2.504	2.700	2.490	.343	.380
18	36	3.714	3.404	3.118	2.972	3.160	2.958	.343	.380
22	44	4.338	4.028	3.742	3.596	3.790	3.582	.343	.380
36	72	6.522	6.212	5.926	5.780	5.940	5.766	.500	.540
43	86	7.614	7.304	7.018	6.872	7.040	6.858	.500	.540

## Rectangular Tails



### Features

- \*Meets the performance requirements of MIL-C-21097
- Single and dual read-out contacts
- Nine sizes: 6/12, 10/20, 12/24, 15/30, 18/36, 22/44, 36/72, 43/86, contacts
- Three mounting styles: mounting holes, floating eyelets and threaded inserts

### Specifications

**Current rating:** 5 amperes

**Contact resistance:** 6 milliohms, maximum

**Contact material:** Phosphor bronze

#### Contact plating:

**Overall:** 50-100 microinches nickel and 10 microinches min. gold overall

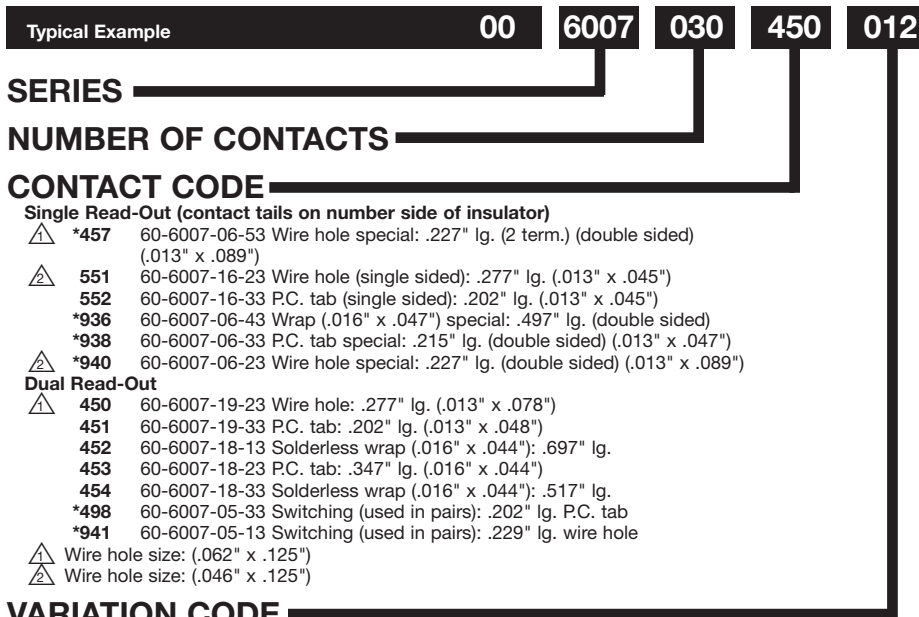
**Insertion/withdrawal force:** 2 to 16 ounces per contact pair, nominal P.C. card

**Insulator material:** Diallyl phthalate, glass-filled, per MIL-M-14F, type SDGF (check factory for other available materials)

**Insulation resistance:** 25,000 megohms, minimum

**Dielectric withstanding voltage:** 2000 VAC between adjacent contacts, RMS, at sea level

### Ordering Code



#### Single Read-Out (contact tails on number side of insulator)

- \*457** 60-6007-06-53 Wire hole special: .227" lg. (2 term.) (double sided) (.013" x .089")
- \*551** 60-6007-16-23 Wire hole (single sided): .277" lg. (.013" x .045")
- \*552** 60-6007-16-33 P.C. tab (single sided): .202" lg. (.013" x .045")
- \*936** 60-6007-06-43 Wrap (.016" x .047") special: .497" lg. (double sided)
- \*938** 60-6007-06-33 P.C. tab special: .215" lg. (double sided) (.013" x .047")
- \*940** 60-6007-06-23 Wire hole special: .227" lg. (double sided) (.013" x .089")

#### Dual Read-Out

- \*450** 60-6007-19-23 Wire hole: .277" lg. (.013" x .078")
- \*451** 60-6007-19-33 P.C. tab: .202" lg. (.013" x .048")
- \*452** 60-6007-18-13 Solderless wrap (.016" x .044"): .697" lg.
- \*453** 60-6007-18-23 P.C. tab: .347" lg. (.016" x .044")
- \*454** 60-6007-18-33 Solderless wrap (.016" x .044"): .517" lg.
- \*498** 60-6007-05-33 Switching (used in pairs): .202" lg. P.C. tab
- \*941** 60-6007-05-13 Switching (used in pairs): .229" lg. wire hole

- △** Wire hole size: (.062" x .125")
- △** Wire hole size: (.046" x .125")

### VARIATION CODE

#### Plating

##### Overall

- 012** With .128" dia. mounting holes
- 018** With #4-40 insert

\*Selective plating not available.  
For contacts 60-6007-05-06

### POLARIZATION

Ordering polarizing insert separately by part number A type: 60-6007-4828;  
B type: 60-6007-3314

Recommended for standard applications. Available through AVX franchised distributors.