

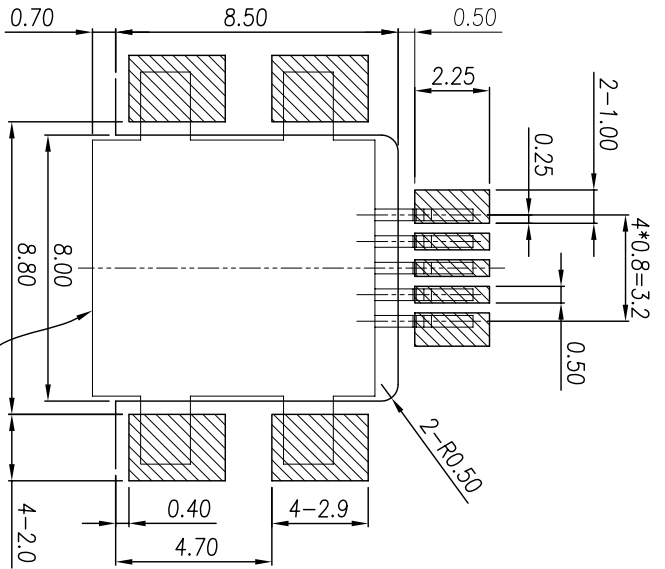
mat'l. code		tolerances unless otherwise specified		CUSTOMER COPY		title	
ecn no		dr		date		www.fciconnect.com	
A T06-0163		A.C.		10/03/06		Mini:USB B TYPE RECEPTACLE	
B T06-0212		A.C.		12/28/06		MID-MOUNT TYPE	
lineor		.XX ±.30		projection		product family	
angles		.XXX ±.10		0° ±3°		USB	
dr		WADE LIU		3/21/05		size	
engr		WADE LIU		3/21/05		dwg no	
chr		WADE LIU		3/23/05		code	
appl		STERLING LIN		3/31/05		sheet	
sheet		revision		B		1 of 3	
index		sheet		1		2	

ACAN

3

4

code code  
22526



RECOMMENDED PCB LAYOUT

\*PART NUMBER DESCRIPTION:

10057202 - X 0 X LF

LF: LEAD FREE

MYLAR TAPE: 0: WITHOUT 1: WITH

PACKAGING : R: TAPE/REEL; T: TRAY

NOTE:

1. MATERIAL :

- 1.1. INSULATOR : HIGH TEMP THERMOPLASTIC, UL94 V-0, COLOR: BLACK.
- 1.2. TERMINAL MATERIAL : COPPER ALLOY.
- 1.3. SHELL MATERIAL : STAINLESS STEEL.
- 1.4. TAPE : ADHESIVE TAPE.
- 1.5. TERMINAL FINISH :
  - 50u" MINIMUM NICKEL UNDERPLATING,
  - 100u" MINIMUM MATTE PURE TIN PLATING ON SOLDER TAIL,
  - 30u" MINIMUM AU PLATING ON CONTACT AREA.

1.6. SHELL FINISH :

- 50u" MINIMUM NICKEL PLATING.
- 150u" MINIMUM MATTE PURE TIN PLATING ON SOLDER TAIL.

- 2. PRODUCT SPEC : GS-12-421.
- 3. PACKAGE SPEC : GS-14-1119.
- 4. THE HOUSING WILL WITHSTAND EXPOSURE TO 260°C PEAK TEMPERATURE FOR 10 SECONDS IN A CONVECTION, IR OR VAPOR PHASE REFLOW OVEN.
- 5. THIS PRODUCT (10057202-XXXXLF) MEETS THE EUROPEAN UNION DERECTIVE AS DESCRIBED IN GS-22-008.

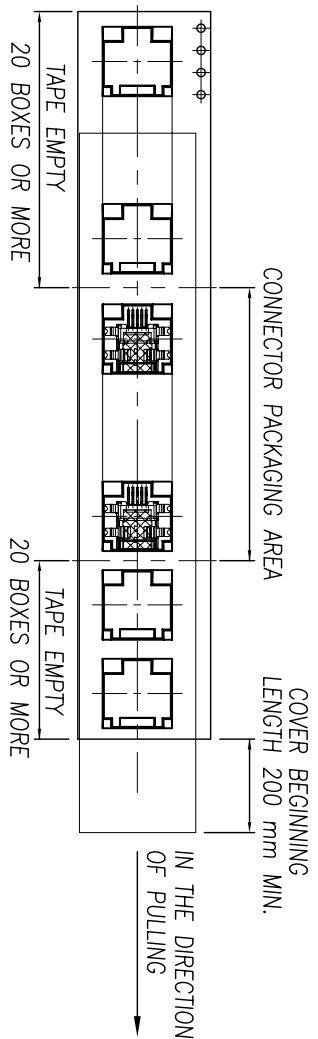
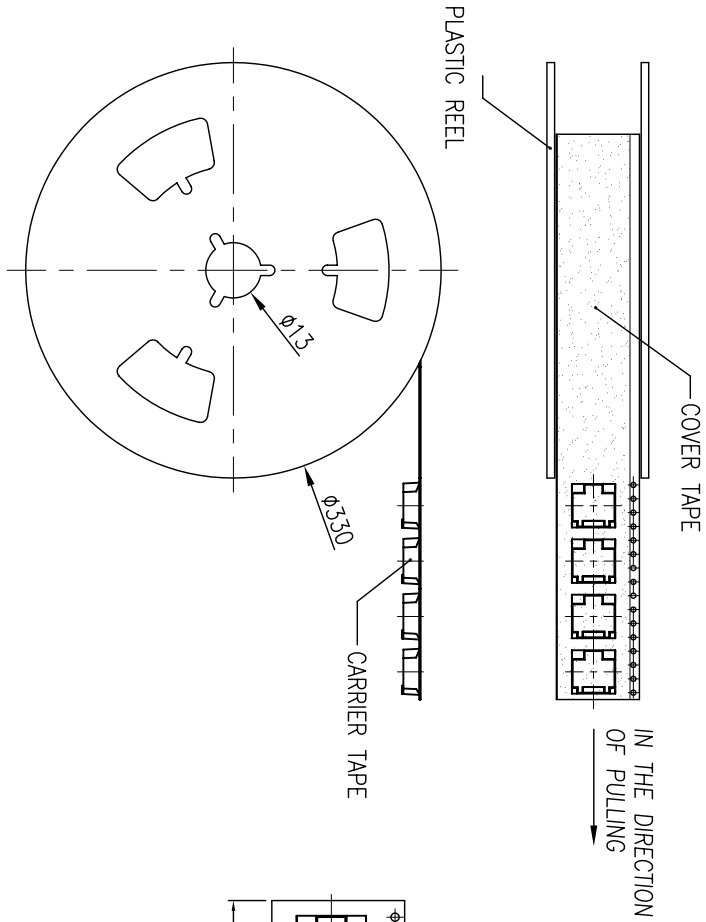
mat'l. code	ecr no	dr	ddate	tolerances unless otherwise specified	CUSTOMER COPY	title	product family	code
B				.X ±.30 .XX ±.20 .XXX ±.10 0° ±.3°	projection MM	MiniUSB B TYPE RECEPTACLE MID-MOUNT TYPE	USB	code
				dr	WADE LIU	3/21/05'	size	dwg no
				engr	WADE LIU	3/21/05'		
				chr	WADE LIU	3/23/05'		
				appl	STERLING LIN	3/31/05'		
sheet	revision							sheet
index	sheet							2 of 3

ACAN

3

code  
22526

4



- NOTES
1. Carrier camber is within 1 mm in 100mm.
  2. Material: Black conductive polystyrene alloy (up-6100)
  3. Thickness: 0.30+/-0.05mm.

mat'l. code	tolerances unless otherwise specified			CUSTOMER COPY		title	
ltr	ecn no	dr	ddate	lineor	projection	Mini:USB B TYPE RECEPTACLE	
B				.XX ±.20	MM	MID-MOUNT TYPE	
				.XXX ±.10		product family	USB
				0° ±.3°		size/ dwg no	10057202
						code	
						sheet	3 of 3
						revision	
						index	
						sheet	
						index	

ACAN

code code  
22526