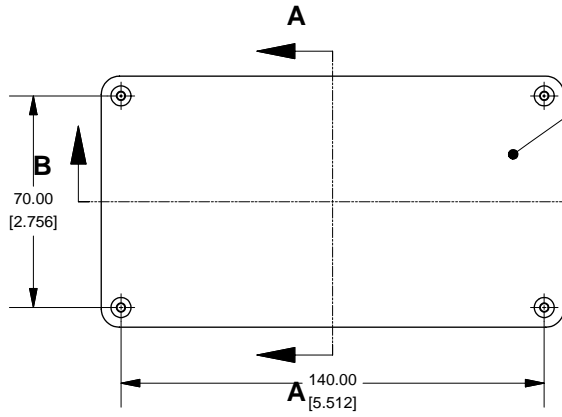
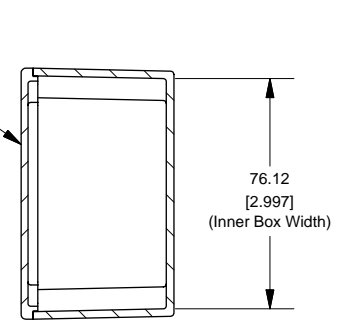


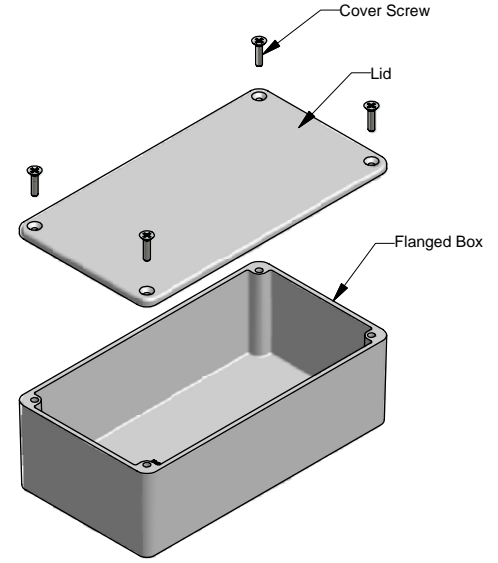
### Top View of Assembly



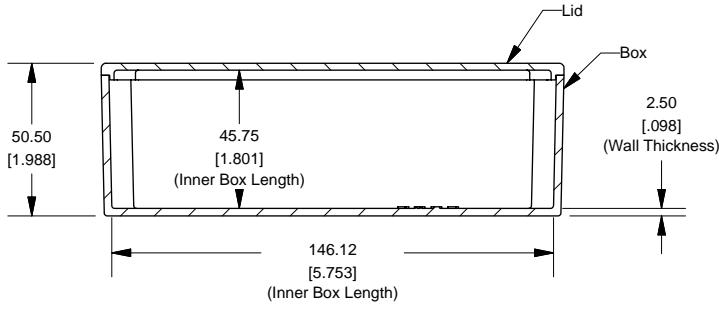
### SECTION A-A End View of Assembly



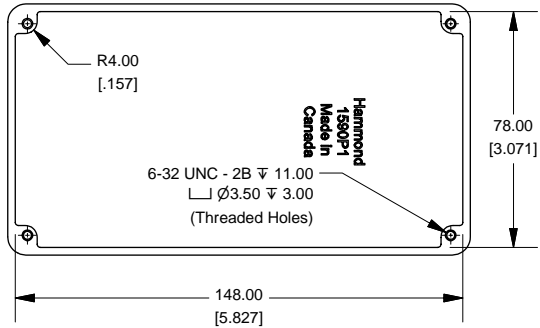
## Series 1590P1



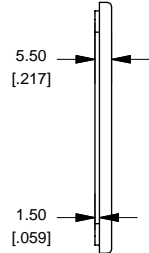
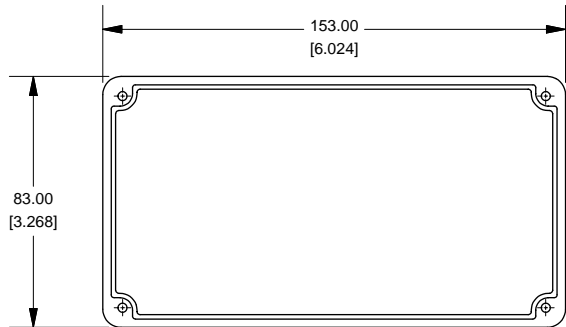
### SECTION B-B Side View of Assembly



### Top View Looking Inside Box



### Lid



**NOTE**  
Purchased assembly includes box, lid and 4 cover screws.  
Box and lid are made from Diecast Aluminum Alloy (alloy type 360.1).

| PART NUMBERS  |            |
|---|------------|
| <b>1590P1 Enclosure</b>   |            |
| Unfinished  | 1590P1     |
| Black Textured Powder Paint   | 1590P1BK   |
| <b>1590P1 Liquid Resistant Enclosure (Silicon Factory Installed Gasket)</b> |            |
| Unfinished  | 1590WP1    |
| Black Textured Powder Paint   | 1590WP1BK  |
| ACCESSORIES   |            |
| <b>Unfinished</b>   |            |
| Cover Screws (Pkg 100)  |            |
| [6-32 x 1/2" Nickel Plated Screws]  | 1590MS100  |
| Black Textured Powder Paint   |            |
| Cover Screws (Pkg 50)   |            |
| [6-32 x 1/2" Stainless Steel Black Screws]                                  | 1590MS50BK |

